



## AcousticDesign™ Series AD-P.HALO

integrated SUB/SAT pendant  
loudspeaker system

### Features

- Integrated 6.5" subwoofer and four 2.75" satellite transducers in a single pendant-mount enclosure
- All-in-one solution with no assembly required
- 200 W RMS power rating
- Consistent tonal characteristics across the entire AcousticDesign Series family for surface, ceiling, and pendant applications
- Intrinsic Correction™ voicings available via Q-SYS Ecosystem and QSC processing amplifiers
- Rugged ABS enclosure
- Low-saturation 70 / 100 V transformers with 6 Ω bypass
- Transformer taps: 100 W, 50 W, 25 W, 12.5 W
- IP-54 ingress rating
- UL1480A and CE compliant
- Available in black (RAL 9011) or white (RAL 9010)
- Included suspension hardware and fasteners
- Complete EASE, CAD, & BIM information available online



### Applications: Retail · Restaurants · Hospitality · Open-ceiling applications

The QSC AD-P.HALO is a purpose-built, integrated SUB/SAT pendant loudspeaker system, featuring one 6.5" subwoofer and four 2.75" satellite transducers in a single enclosure that is ready to install out of the box. Designed for business music installations where music drives the atmosphere.

#### All-in-One Solution, No Assembly Required

Contrary to their name, some "all-in-one" solutions often requiring time-consuming assembly of multiple components. Instead, the AD-P.HALO is purpose-designed and fully integrated within a single-enclosure pendant that is ready to hang right out of the box. This hassle-free design simplifies and expedites the installation process, and lowers the overall project costs and allows the integrator to focus on the sound.

#### Designed for Performance and Musicality

The AD-P.HALO brings high-performance and musicality to high-end retail and hospitality applications where sound drives the atmosphere. The 200 W RMS power rating provides significant dynamic headroom that enables the AD-P.HALO to far surpass the background music performance of traditional two-way pendant-mount loudspeakers.

#### Perfect AcousticDesign™ Series Companion

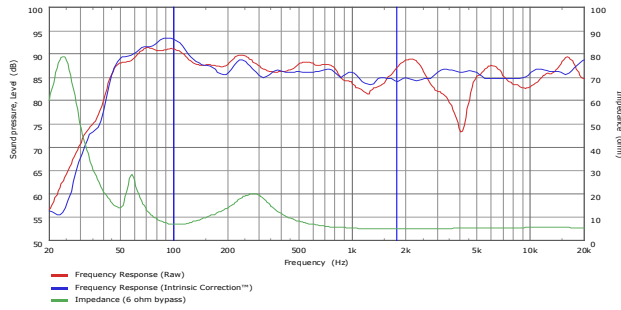
AD-P.HALO is part of the AcousticDesign Series portfolio of loudspeakers, which offer sleek aesthetic design and high-quality sound across multiple form factors (ceiling-mount, pendant-mount and surface-mount).

Installers will appreciate the two quick-link cable assemblies and slip-lock fasteners to speed the installation. Located under a sealable input cover to prevent moisture at the terminals, a locking 4-pole Euro-block connector that can accept four 18AWG pairs eliminates the termination hassles of star topology wiring designs.

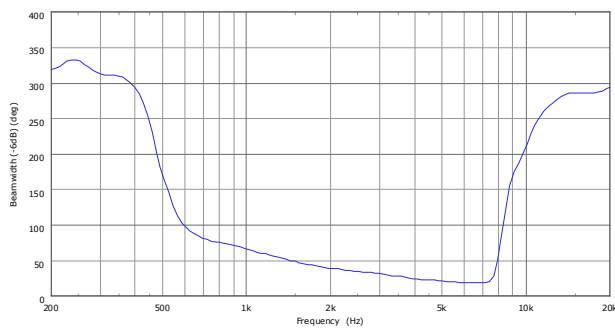
To further speed the install process while obtaining optimal results, Intrinsic Correction™ voicings are easily deployed via Q-SYS Ecosystem and QSC processing amplifiers.

# AD-P.HALO Details

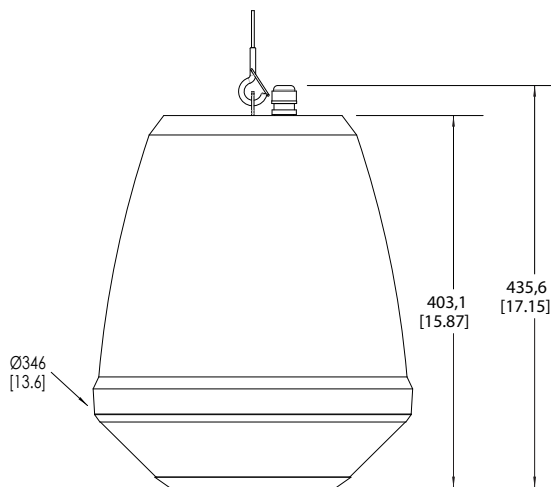
## Impedance / Frequency Response:



## Beamwidth:



## Dimensions:



## Specifications

System Details	AD-P.HALO
LF transducer	165 mm (6.5 in) dual voicecoil subwoofer, stamped basket, 16 Ω nominal impedance, paper cone, paper dust cap, copper wire, rubber surround
HF transducer	4x 69.85 mm (2.75 in) full-range, stamped basket, 16 Ω nominal impedance, hybrid ceramic/neodymium magnetic circuit, copper cap, paper cone, inverted aluminum dust cap, CC aluminum VC wire, rubber surround
Effective frequency range <sup>1,2,3</sup>	40 Hz – 20 kHz
Sensitivity <sup>4</sup>	86 dB
Rated noise power <sup>5</sup>	100 W
Max noise voltage <sup>5</sup>	24.5 V RMS
Coverage <sup>2,7</sup>	110° conical
Directivity index <sup>2,7</sup>	8 dB
Directivity factor	6
Maximum SPL (continuous/peak) <sup>6</sup>	105 / 111 dB
Nominal impedance	6 Ω nominal 4.9 Ω minimum @ 1.6 kHz
Crossover frequency	250 Hz (2 <sup>nd</sup> order low-pass + 3 <sup>rd</sup> order high-pass filters)
Tap power (70 / 100 V)	12.5, 25, 50, 100/25, 50, 100
Port Tuning	50 Hz
Input	4-pin male/female Euroblock with pass-thru and locking screws
Enclosure material	Injection-molded ABS baffle and enclosure
Grille material	Stamped steel, perforated and powder-coated
Net weight	10.2 kg (22.5 lb)
Product dimensions	Diameter: 339.7 mm (13.37 in) Height: 433 mm (17.04 in)
Shipping weight	12.5 kg (27.6 lb)
Shipping dimensions (W x D x H)	535 x 445 x 435 mm (21.06 x 17.52 x 17.13 in)

<sup>1</sup> -10 dB from rated sensitivity

<sup>2</sup> anechoic chamber @ 2.45 V, 1 m

<sup>3</sup> on reference axis

<sup>4</sup> from Thiele-Small parameters @ 2.45 V, 1 m

<sup>5</sup> IEC, 2 hrs, 6 Ω nominal impedance

<sup>6</sup> calculated from rated noise power and sensitivity

<sup>7</sup> 500 Hz - 5 kHz average

# QSC

1675 MacArthur Boulevard • Costa Mesa, CA 92626 • Ph: 800/854-4079 or 714/957-7100 • Fax: 714/754-6174

© 2020 QSC, LLC all rights reserved. QSC and the QSC logo are registered trademarks of QSC, LLC in the U.S. Patent and Trademark office and other countries. All other trademarks are the property of their respective owners. Patents may apply or be pending.

AD-P.HALO Spec Sheet 02/05/2020

