

AVANTE

ACHROMIC SERIES

ELEVATING
YOUR
SOUND

USER
MANUAL



©2019 ADJ PRODUCTS LLC all rights reserved. Information, specifications, diagrams, images, and instructions herein are subject to change without notice. ADJ logo and identifying product names and numbers herein are trademarks of ADJ PRODUCTS LLC. Copyright protection claimed includes all forms and matters of copyrightable materials and information now allowed by statutory or judicial law or hereinafter granted. Product names used in this document may be trademarks or registered trademarks of their respective companies and are hereby acknowledged. All non-ADJ brands and product names are trademarks or registered trademarks of their respective companies.

ADJ PRODUCTS LLC and all affiliated companies hereby disclaim any and all liabilities for property, equipment, building, and electrical damages, injuries to any persons, and direct or indirect economic loss associated with the use or reliance of any information contained within this document, and/or as a result of the improper, unsafe, insufficient and negligent assembly, installation, rigging, and operation of this product.

AVANTE World Headquarters USA

6122 S. Eastern Ave. | Los Angeles, CA 90040 USA
323-316-9722 | Fax: 323-582-2941 | www.avanteaudio.com | info@avanteaudio.com

AVANTE NETHERLANDS

Junostraat 2 | 6468 EW Kerkrade | Netherlands
+31 45 546 85 00 | Fax: +31 45 546 85 99 | europa@avanteaudio.com

AVANTE MEXICO

Santa Ana 30 | Parque Industrial Lerma | Lerma Mexico 52000
+52 (728) 282.7070 | ventas@avanteaudio.com

FCC STATEMENT

This device complies with Part 15 of the FCC Rules. Operation is subject to the following two conditions: (1) this device may not cause harmful interference, and (2) this device must accept any interference received, including interference that may cause undesired operation.

FCC RADIO FREQUENCY INTERFERENCE WARNINGS & INSTRUCTIONS

This product has been tested and found to comply with the limits as per Part 15 of the FCC Rules. These limits are designed to provide reasonable protection against harmful interference in a residential installation. This device uses and can radiate radio frequency energy and, if not installed and used in accordance with the included instructions, may cause harmful interference to radio communications. However, there is no guarantee that interference will not occur in a particular installation. If this device does cause harmful interference to radio or television reception, which can be determined by turning the device off and on, the user is encouraged to try to correct the interference by one or more of the following methods:

- Reorient or relocate the device.
- Increase the separation between the device and the receiver.
- Connect the device to an electrical outlet on a circuit different from which the radio receiver is connected.
- Consult the dealer or an experienced radio/TV technician for help.

Energy Saving Matters (EuP 2009/125/EC)

Saving electric energy is a key to help protecting the environment. Please turn off all electrical products when they are not in use. To avoid power consumption in idle mode, disconnect all electrical equipment from power when not in use. Thank you!

Document Version: An updated version of this document may be available online. Please check www.adj.com for the latest revision/update of this document before beginning installation and use.

Date	Document Version	Notes
05/21/18	1.2	Initial Release
10/06/18	1.4	Updated Release
02/19/19	1.6	Factory Engineering Corrections
03/05/19	1.8	Update A10 information
04/03/19	2.0	Improve Printability
07/11/19	2.2	Update specs.

CONTENTS

General Information	4
Limited Warranty (USA Only)	5
Safety Guidelines	6
Contents	8
Installation	9
Dimensions	14
A10	17
A12	21
A15	25
A15S	29
A18S	34
Applications Diagrams	39
Technical Specifications	42
Optional Components	43

GENERAL INFORMATION

INTRODUCTION

Please read and understand the instructions in this manual carefully and thoroughly before attempting to operate this speaker. These instructions contain important safety and use information.

UNPACKING

Every speaker has been thoroughly tested and has been shipped in perfect operating condition. Carefully check the shipping carton for damage that may have occurred during shipping. If the carton appears to be damaged, carefully inspect speaker for damage and be sure all accessories necessary to install and operate the speaker have arrived intact. In the event damage has been found or parts are missing, please contact our customer support team for further instructions. Please do not return this speaker to your dealer without first contacting customer support at the number listed below. Please do not discard the shipping carton in the trash. Please recycle whenever possible.

CUSTOMER SUPPORT

AVANTE provides a customer support line to provide set up help, answer any question should you encounter problems during your set up or initial operation, and for any service related issues.

You may also visit us on the web at www.avanteaudio.com for any comments or suggestions.

AVANTE SERVICE USA - Monday - Friday 8:00am to 4:30pm PST

Voice: 800-322-6337

Fax: 323-532-2941

E-mail: support@avanteaudio.com

AVANTE SERVICE EUROPE - Monday - Friday 08:30 to 17:00 CET

Voice: +31 45 546 85 30

Fax: +31 45 546 85 96

E-mail: europe@avanteaudio.com



@avanteaudio

WARRANTY REGISTRATION

Please register your product online: www.avanteaudio.com. Online product registration is required in order to activate the third year of the 3-year warranty. All returned service items, whether under warranty or not, must be freight pre-paid and accompany a return authorization (R.A.) number. The R.A. number must be clearly written on the outside of the return package. A brief description of the problem as well as the R.A. number must also be written down on a piece of paper and included in the shipping container. If the unit is under warranty, you must provide a copy of your proof of purchase invoice and the unit must be registered online at www.avanteaudio.com to receive year 3 of the 3-year warranty. Items returned without a R.A. number clearly marked on the outside of the package will be refused and returned at customer's expense. You may obtain a R.A. number by contacting customer support.

LIMITED WARRANTY (USA ONLY)

1. ADJ Products, LLC hereby warrants, to the original purchaser, AVANTE products to be free of manufacturing defects in material and workmanship for a prescribed period of up to 3-years (1,095 days) from the original purchase date. Product must be registered online at www.avanteaudio.com in order to activate year 3 of the 3-year warranty period. This warranty shall be valid only if the product is purchased within the United States of America, including possessions and territories. It is the owner's responsibility to establish the date and place of purchase by acceptable evidence at the time service is sought.
2. For warranty service you must obtain a Return Authorization number (RA#) before sending the product back; please contact ADJ Products, LLC Service Department at 800-322-6337. Send the product only to the ADJ Products, LLC factory. All shipping charges must be pre-paid. If the requested repairs or service (including parts replacement) are within the terms of this warranty, ADJ Products, LLC will pay return shipping charges only to a designated point within the United States. If the entire instrument is sent, it must be shipped in its original package. No accessories should be shipped with the product. If any accessories are shipped with the product, ADJ Products, LLC shall incur no liability whatsoever for loss of or damage to any such accessories, or for the safe return thereof.
3. This warranty is void if the serial number has been altered or removed; if the product is modified in any manner which ADJ Products, LLC concludes, after inspection, affects the reliability of the product; if the product has been repaired or serviced by anyone other than the ADJ Products, LLC factory unless prior written authorization was issued to purchaser by ADJ Products, LLC; if the product is damaged because it was not properly maintained as set forth in the instruction manual.
4. This is not a service contract, and this warranty does not include maintenance, cleaning or periodic checkup. During the period specified above, ADJ Products, LLC will replace defective parts at its expense with new or refurbished parts, and will absorb all expenses for warranty service and repair labor by reason of defects in material or workmanship. The sole responsibility of ADJ Products, LLC under this warranty shall be limited to the repair of the product, or replacement thereof, including parts, at the sole discretion of ADJ Products, LLC. All products covered by this warranty were manufactured after August 15, 2012, and bear identifying marks to that effect.
5. ADJ Products, LLC reserves the right to make changes in design and/or improvements upon its products without any obligation to include these changes in any products theretofore manufactured. No warranty, whether expressed or implied, is given or made with respect to any accessory supplied with products described above. Except to the extent prohibited by applicable law, all implied warranties made by ADJ Products, LLC in connection with this product, including warranties of merchantability or fitness, are limited in duration to the warranty period set forth above. And no warranties, whether expressed or implied, including warranties of merchantability or fitness, shall apply to this product after said period has expired. The consumer's and/or Dealer's sole remedy shall be such repair or replacement as is expressly provided above; and under no circumstances shall ADJ Products, LLC be liable for any loss or damage, direct or consequential, arising out of the use of, or inability to use, this product. This warranty is the only written warranty applicable to ADJ Products, LLC Products and supersedes all prior warranties and written descriptions of warranty terms and conditions heretofore published.
6. Warranty Registration: Please register your product online: www.avanteaudio.com. Online product registration is required in order to activate the third year of the 3-year warranty. All returned service items, whether under warranty or not, must be freight pre-paid and accompany a return authorization (R.A.) number. The R.A. number must be clearly written on the outside of the return package. A brief description of the problem as well as the R.A. number must also be written down on a piece of paper and included in the shipping container. If the unit is under warranty, you must provide a copy of your proof of purchase invoice and the unit must be registered online at www.avanteaudio.com to receive year 3 of the 3-year warranty. Items returned without a R.A. number clearly marked on the outside of the package will be refused and returned at customer's expense. You may obtain a R.A. number by contacting customer support.

SAFETY GUIDELINES

This speaker is a sophisticated piece of electronic equipment. To guarantee a smooth operation, it is important to follow all instructions and guidelines in this manual. AVANTE is not responsible for injury and/or damages resulting from the misuse of this speaker due to the disregard of the information printed in this manual. Only qualified and/or certified personnel should perform the installation of this speaker and all included and/or optional rigging accessories. Only the original included and/or optional rigging parts and accessories for this speaker should be used for proper installation. Any modifications to the speaker, included and/or optional rigging parts and accessories will void the original manufactures warranty and increase the risk of damage and/or personal injury.



PROTECTION CLASS 1 – SPEAKER MUST BE PROPERLY GROUNDED

TO REDUCE RISK OF ELECTRICAL SHOCK, DO NOT REMOVE ANY COVER.

THERE ARE NO USER SERVICEABLE PARTS INSIDE THIS SPEAKER.

DO NOT ATTEMPT ANY REPAIRS YOURSELF; DOING SO WILL VOID YOUR MANUFACTURES WARRANTY. DAMAGES RESULTING FROM MODIFICATIONS TO THIS SPEAKER AND/OR THE DISREGARD OF SAFETY INSTRUCTIONS AND GUIDELINES IN THIS MANUAL VOID THE MANUFACTURES WARRANTY AND ARE NOT SUBJECT TO ANY WARRANTY CLAIMS AND/OR REPAIRS. NEVER OPEN THIS SPEAKER WHILE IN USE! UNPLUG POWER BEFORE SERVICING SPEAKER!

KEEP FLAMMABLE MATERIALS AWAY FROM SPEAKER!



DRY LOCATIONS USE ONLY!

DO NOT EXPOSE SPEAKER TO RAIN AND/OR MOISTURE!

DO NOT SPILL WATER AND/OR LIQUIDS ON OR INTO THE SPEAKER!

This speaker is for **PROFESSIONAL USE ONLY!** Read all **INSTRUCTIONS** and follow all **WARNINGS!**

DO NOT use speaker near wet and/or damp locations. Speaker must be kept away from direct contact with liquids and must not be exposed to water/liquid dripping or splashing.

DO NOT attempt installation and/or operation without knowledge how to do so. Consult a professional sound equipment installer for proper and safe speaker installation. **ONLY** the original included, and/or optional rigging parts and accessories listed in this manual should be used for proper installation and use.

DO NOT expose any part of the speaker to open flame or smoke, or position speaker close to any flammable materials while operating. Be sure to install this speaker in an area that will allow proper ventilation. Allow approximately 6 inches (152mm) behind the speaker cabinet for proper cooling. The speaker contains an internal power amplifier that produces heat during use. Keep speaker away from heat sources such as radiators, heat registers, stoves, or other appliances (including amplifiers) that produce heat.

DO NOT operate speaker if power cord is frayed, crimped, damaged, and/or if any of the power cord connectors are damaged and do not insert into the speaker securely with ease. **NEVER** force a power cord connector into the speaker. If the power cord or any of its connectors are damaged, replace it immediately with a new one of similar power rating.

DO NOT disassemble speaker, there are NO user serviceable parts inside. Refer all servicing to qualified service personnel. Servicing is required when the speaker has been damaged in any way, such as power-supply cord or plug is damaged, liquid has been spilled and/or objects have fallen into the speaker, the speaker has been exposed to rain and/or moisture, does not operate normally, or has been dropped.

DO NOT defeat the safety purpose of the polarized or grounding-type plug. A polarized plug has two blades with one wider than the other. A grounding type plug has two blades and a third grounding prong. The wide blade or the third prong is provided for your safety. If the provided plug does not fit into your outlet, consult an electrician for replacement of the obsolete outlet.

SAFETY GUIDELINES

POWER SOURCES: This product must be connected to a power supply only of the type described in these operating instructions, or as marked on the unit. This product is Country Specific.

PROTECTIVE EARTHING TERMINAL: The speaker should be connected to a mains socket outlet with a protective earth-ground/earthing connection.

ONLY handle power cord by the plug end, never pull the plug out by tugging the wire portion of the cord.

DO NOT use solvents or glass cleaner to clean speaker. Clean only with a dry cloth.

ALWAYS disconnect speaker from main power source before performing any servicing or cleaning procedure.

CAUTION: To avoid physical damage, read the installation instructions carefully before installation.

CAUTION: Listening to speakers at high volume for extended time or within immediate proximity may damage hearing.

CAUTION: Speakers should be installed/operated by qualified and trained professionals **ONLY**.

CAUTION: Always mount speakers in a safe and stable manner.

CAUTION: Wear appropriate safety equipment during speaker installation.

CAUTION: Route power and audio cables so that they are **NOT** likely to be walked on or pinched.

CAUTION: Unplug the speaker during lightning storms and/or when unused for long periods of time.

ONLY use the original packaging materials and/or case to transport the speaker in for service.

PLEASE recycle shipping boxes and packaging whenever possible.

CONTENTS

A10

A10 Speaker

Power Cable

Quick Start Guide

A12

A12 Speaker

Power Cable

Quick Start Guide

A15

A15 Speaker

Power Cable

Quick Start Guide

A15S

Subwoofer

Threaded 1 $\frac{3}{8}$ (M20) Speaker Pole

Power Cable

Quick Start Guide

A18S

Subwoofer

Threaded 1 $\frac{3}{8}$ (M20) Speaker Pole

Power Cable

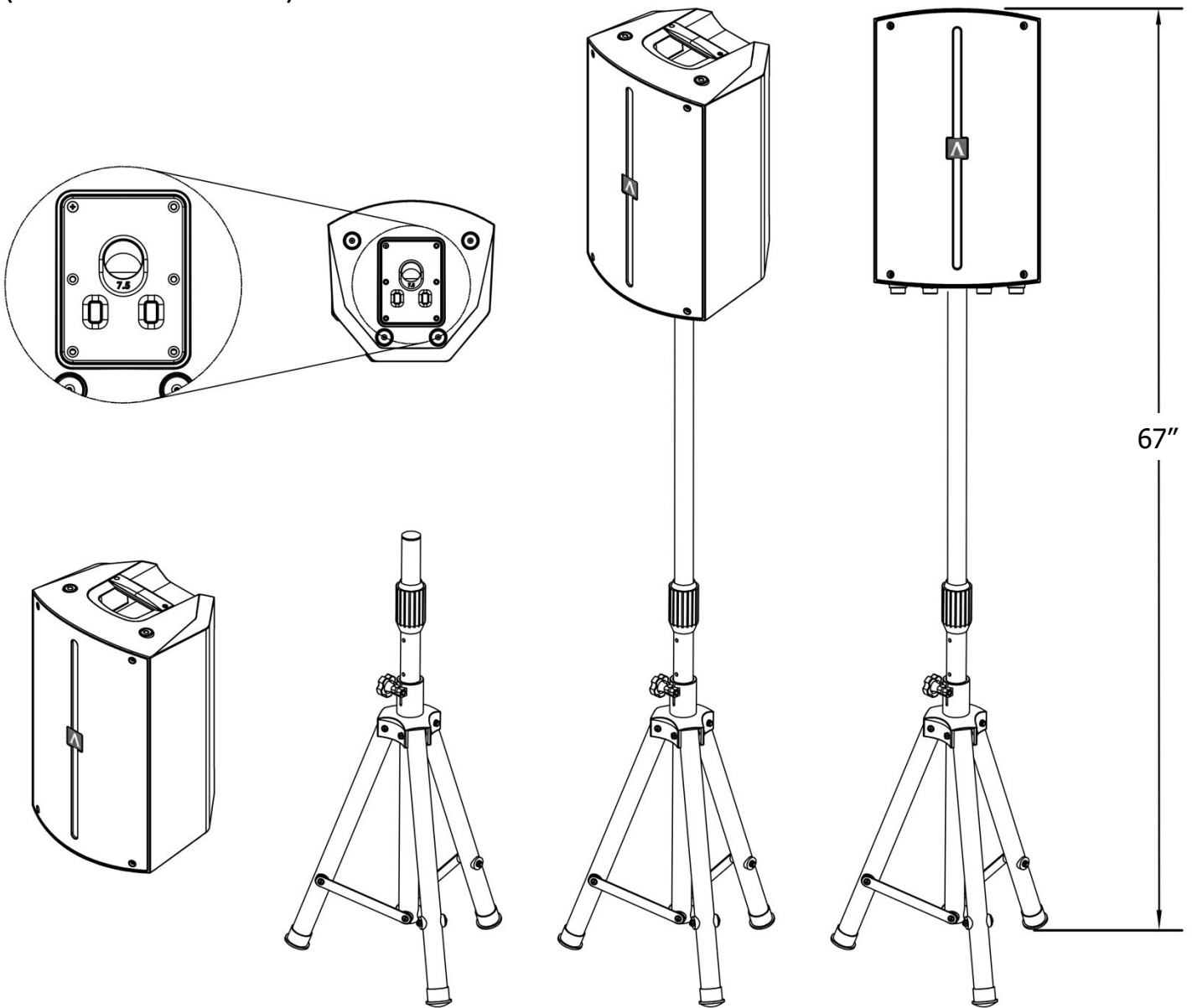
Quick Start Guide

INSTALLATION

The Achromic Series speakers provide versatile installation options as illustrated below.

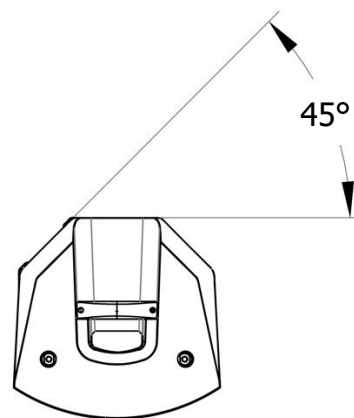
The **A10**, **A12**, and **A15** speakers can be pole mounted on a standard speaker stand (not included), or pole mounted on top of the **A15S** or **A18S** sub woofers using the included sub speaker poles. Additionally, the **A10**, **A12**, and **A15** speakers can be permanently installed using optional M10 Eye Bolts or optional Wall Mounts.

Standard Speaker Stand (stand not included)

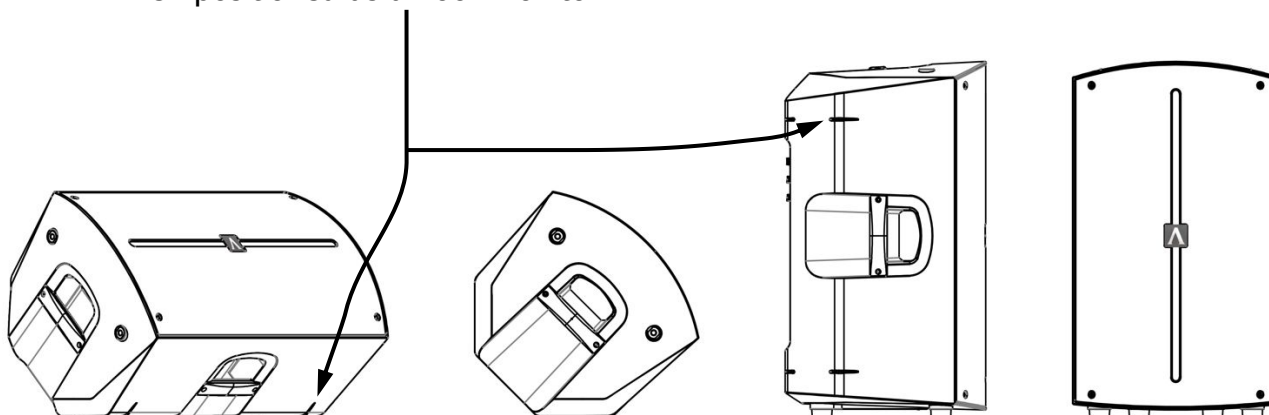


Floor Monitor

A10, A12, and A15 speakers are all designed with integrated 45° angle back panels for use as floor monitors

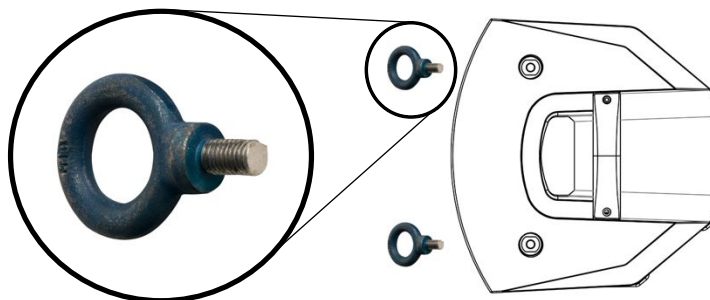


Note that only one angled back panel has footing ridges to stabilize the speaker when positioned as a floor monitor

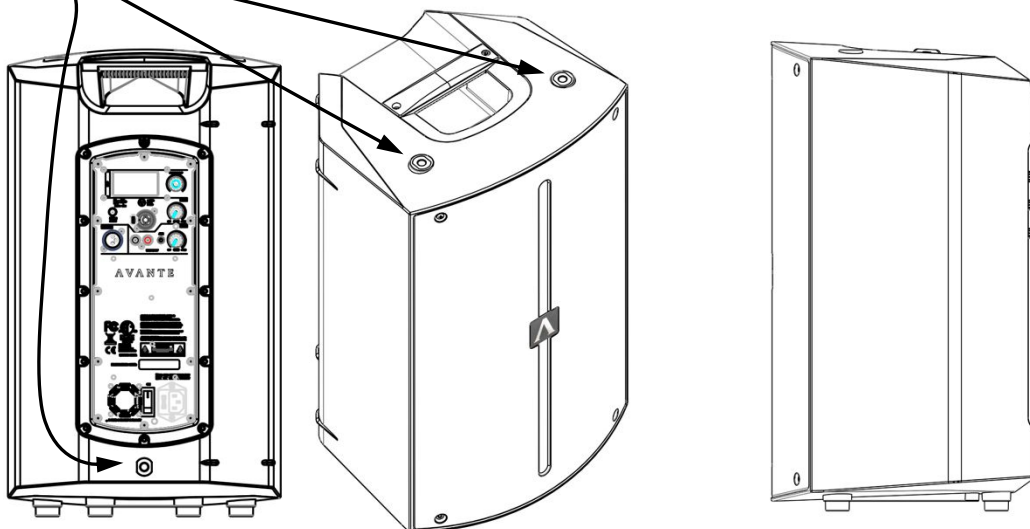


Eye Bolt Hardware Kit (sold separately)

For permanent flying installations, insert optional Eye Bolts into the 3 integrated threaded inserts on the speaker, two on top and one at the bottom of back panel.



CAUTION!
DO NOT
OVERTIGHTEN EYE
BOLTS!



Wall Mount Bracket



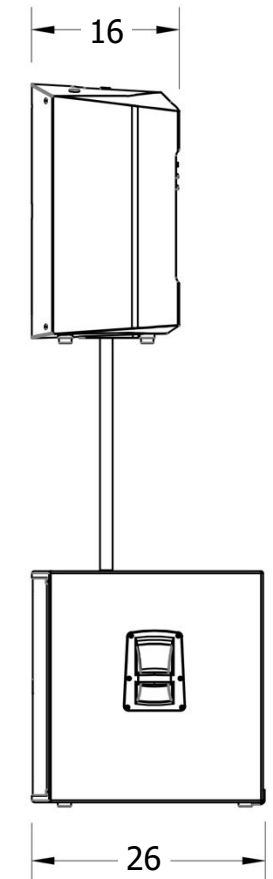
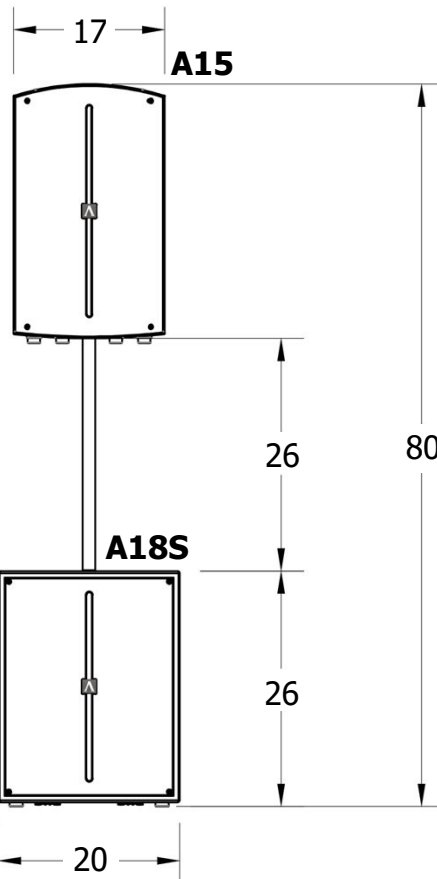
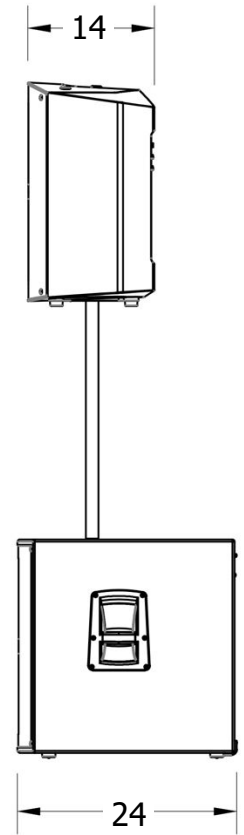
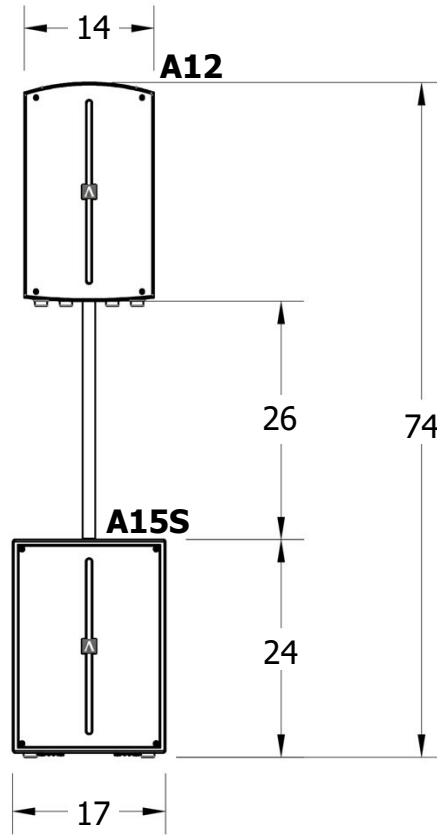
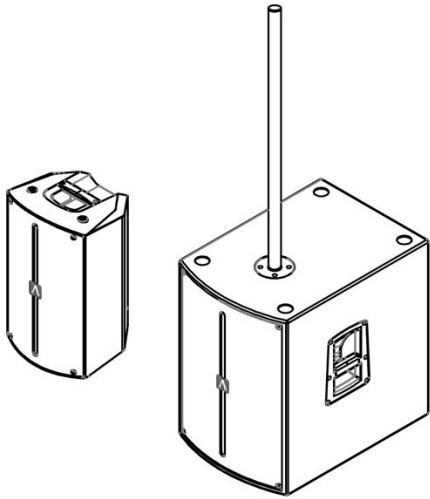
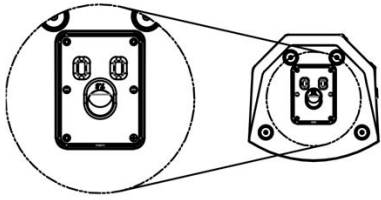
For permanent wall installations, attach the optional Wall Mount Bracket to a flat wall surface using appropriate hardware (not included).

CONSULT A PROFESSIONAL INSTALLER BEFORE ATTEMPTING TO INSTALL WALL MOUNT BRACKETS!

Place speaker onto the wall mount bracket by inserting speaker pole into the bottom mounting hole.

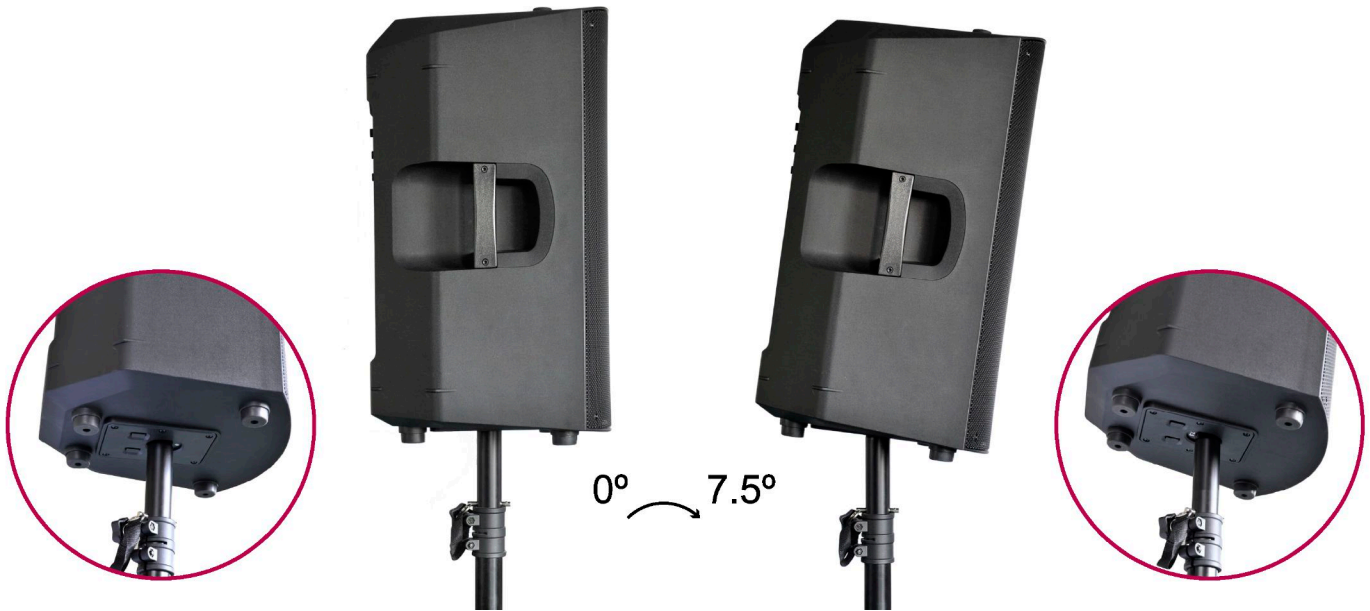
Adjust the speaker position accordingly.

Subwoofer Pole-Mounted Speakers



Tilting Pole-Mounted Speakers

Speakers can be tilted forward 7.5° to adjust for venue dependent acoustics.

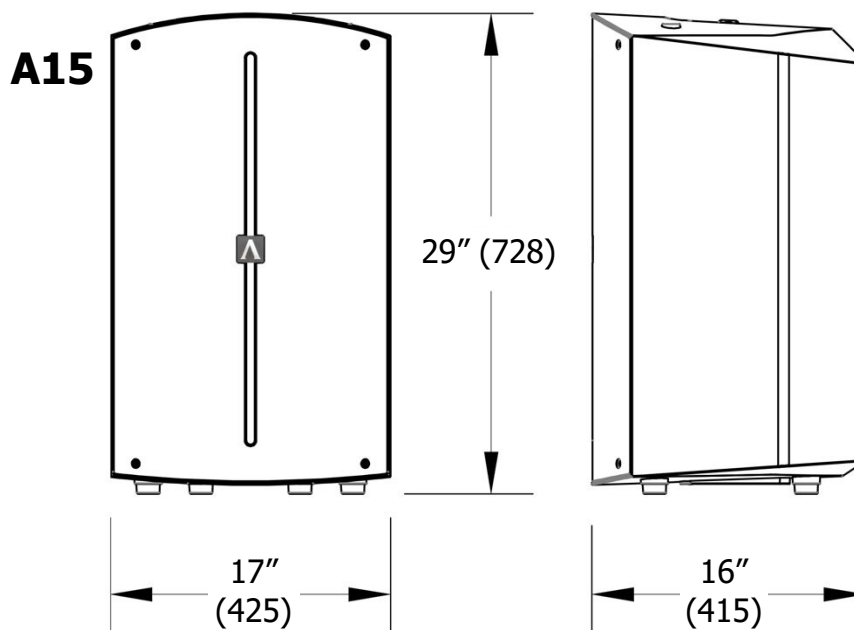
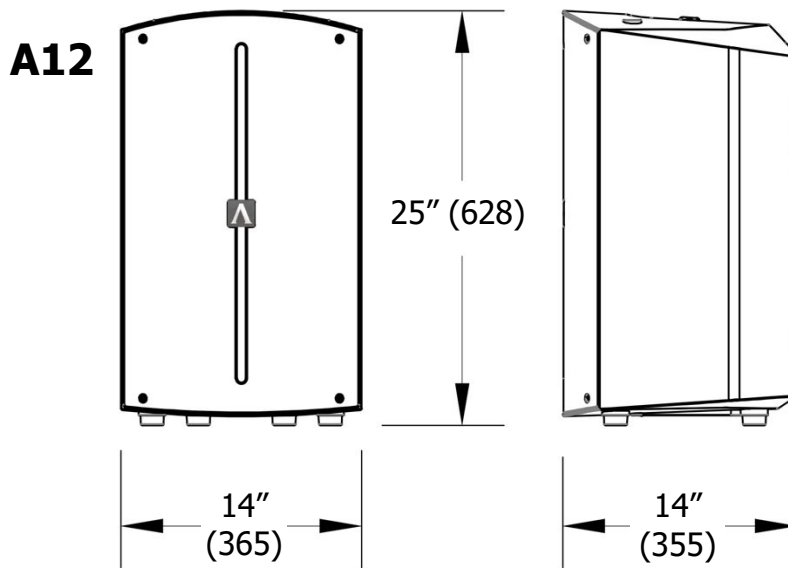
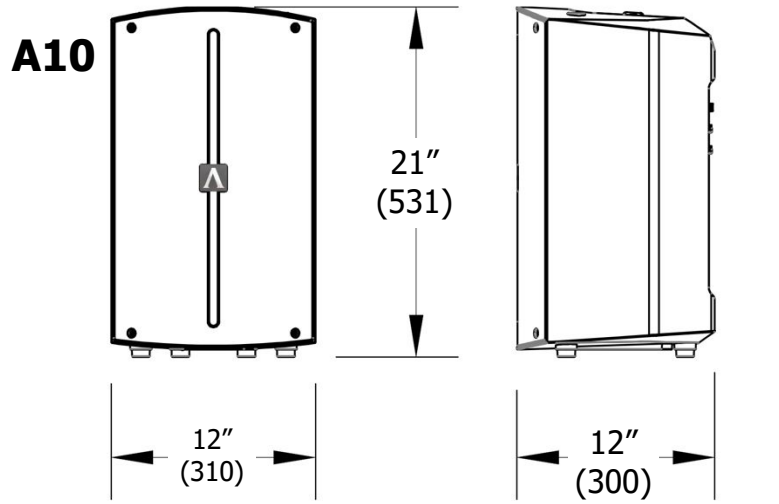


Rotating Avante Icon

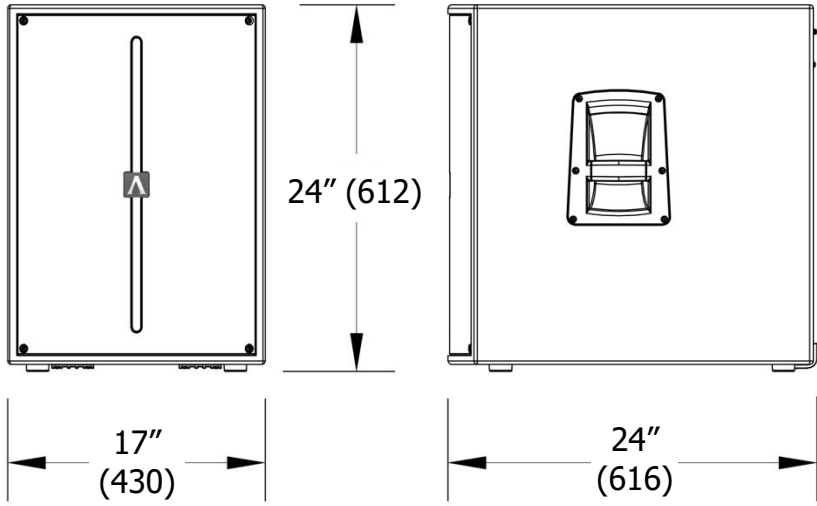
The Avante icon can be rotated to suit the speaker position.



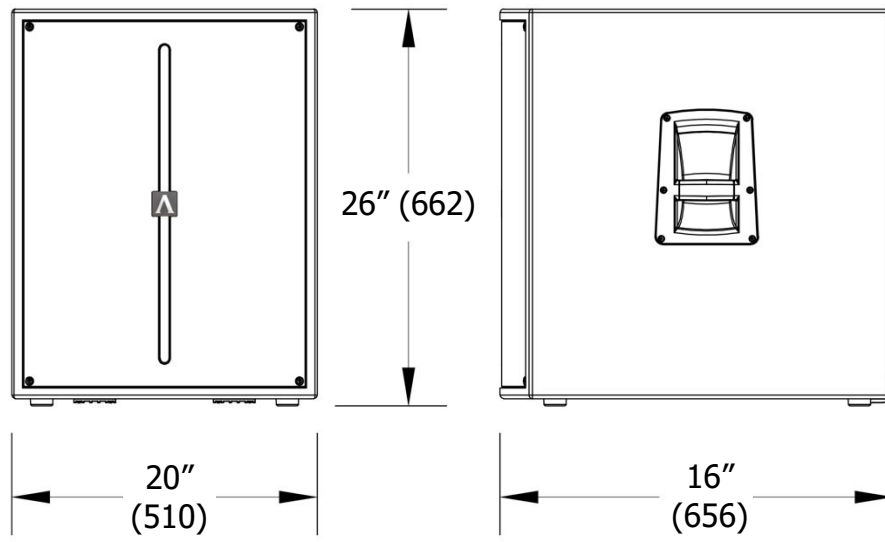
DIMENSIONS



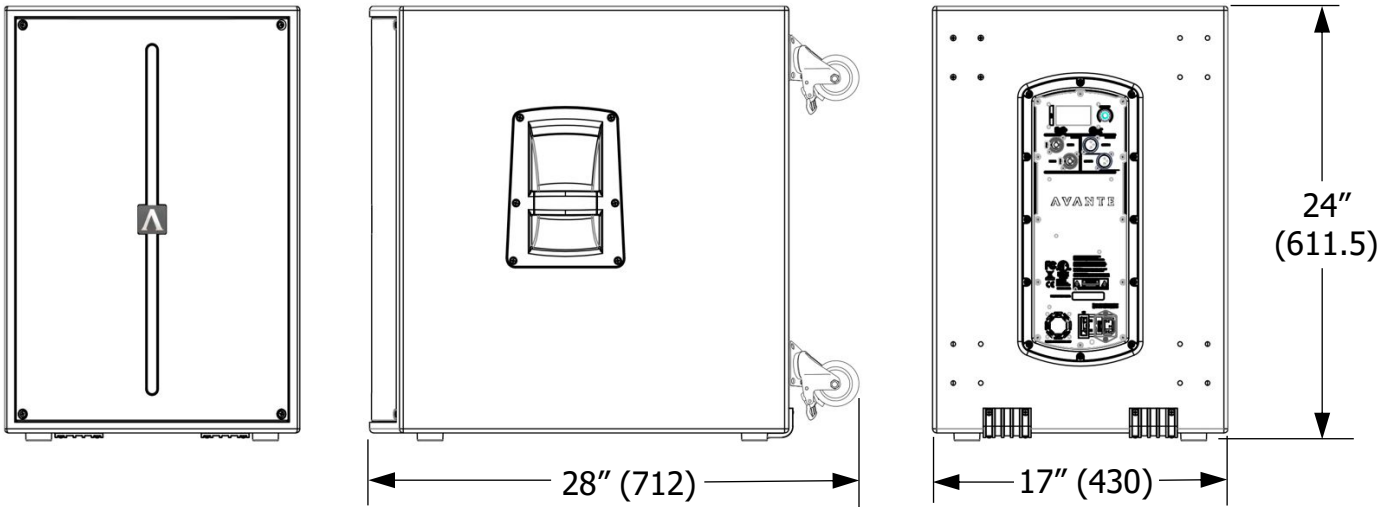
A15S



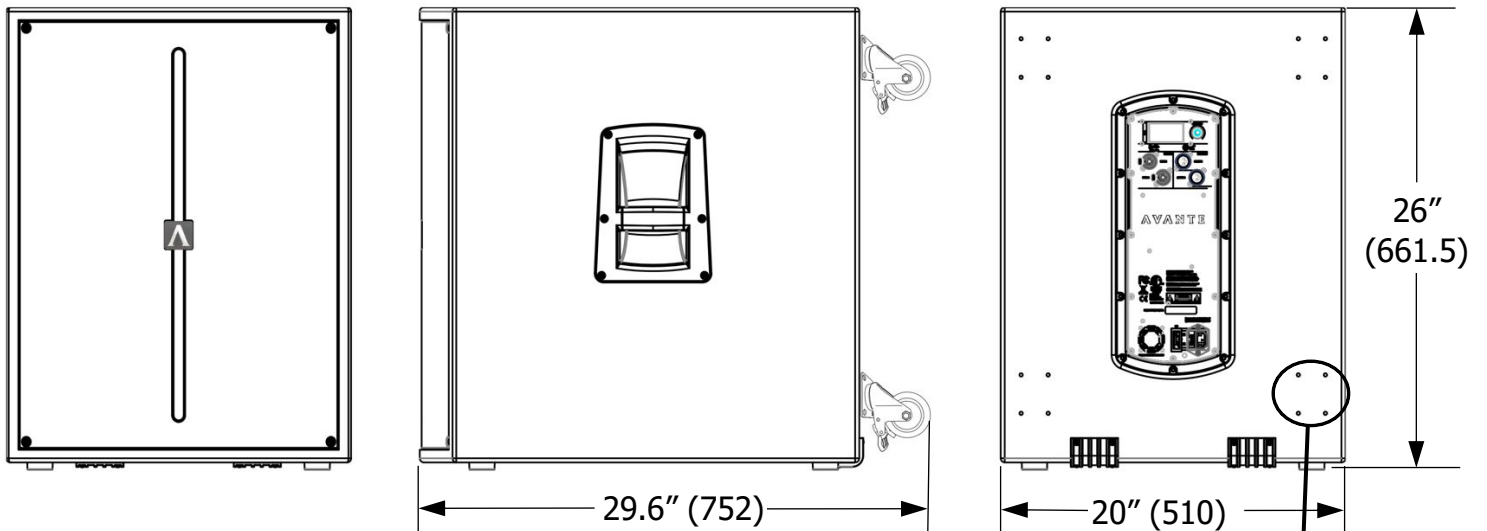
A18S



A15S (Subwoofer) with Casters: 20" x 24" x 28" (430 x 611.5 x 712mm)



A18S (Subwoofer) with Casters: 20" x 26" x 29.6" (510 x 661.5 x 752mm)



AVACK4:
Achromic A15S/A18S Caster Set (4)
(sold separately)

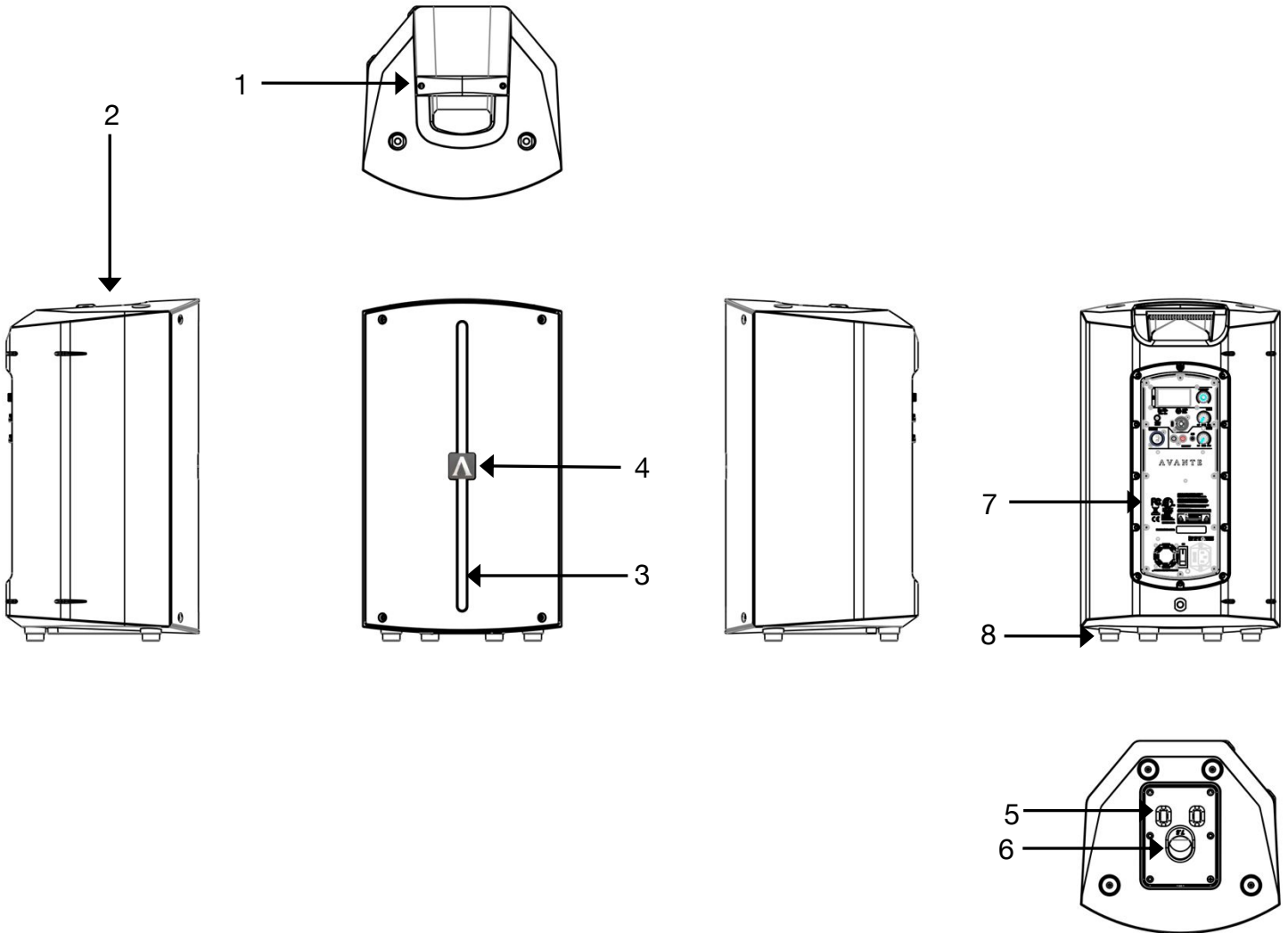


Install casters to back side of subwoofer using included hardware.

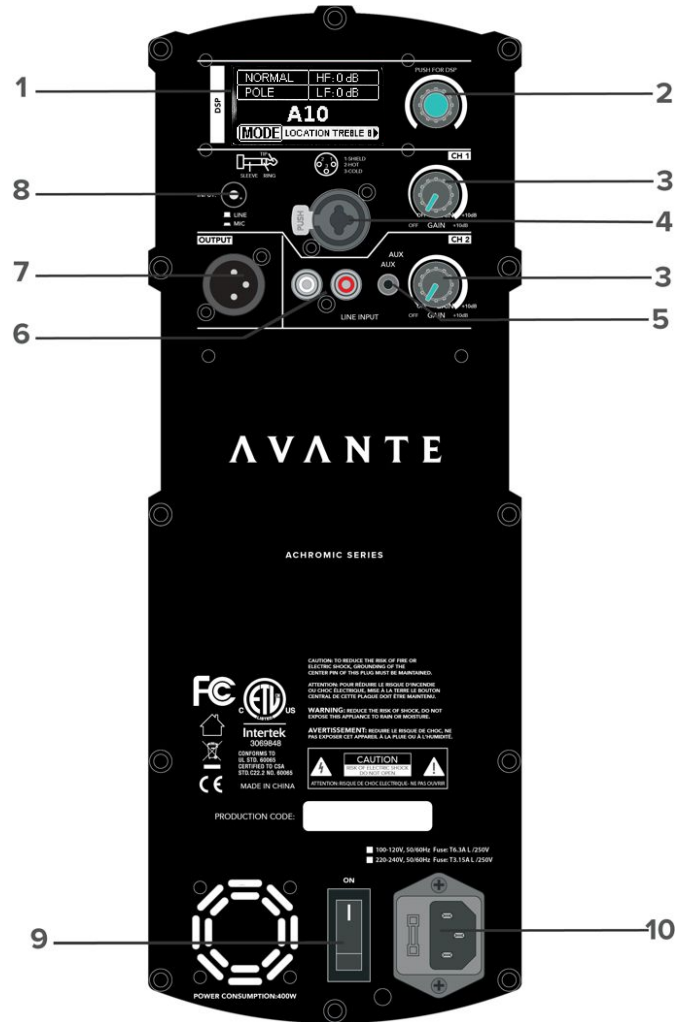
CAUTION!
DO NOT
OVERTIGHTEN
CASTER BOLTS!

A 1 0 - FEATURES

1. Carrying Handle
2. ABS Enclosure
3. Power LED Indicator
4. Rotating Logo
5. Pole Socket Tilt Release
6. Adjustable Tilt Pole Socket
7. Amplifier Module
8. Anti-Slip Rubber Feet



A 1 0 - CONTROLS AND CONNECTIONS



1. LCD Display - DSP Parameters and Status
2. DSP Edit Encoder / Button
3. CH1 / CH2 Level
4. CH1 XLR/1/4" Combo Jack Input
5. CH2 Mini Jack (3.5mm) Line Input
6. CH2 RCA Line Input
7. MIX XLR Output
8. CH1 Line/Mic Switch
9. Power Switch
10. Power Cord Input

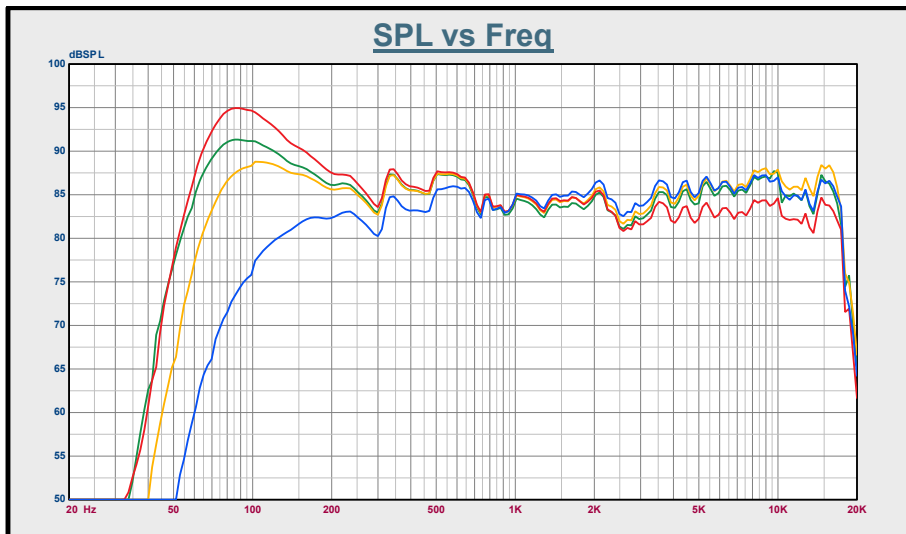
A10 - DSP OPERATION



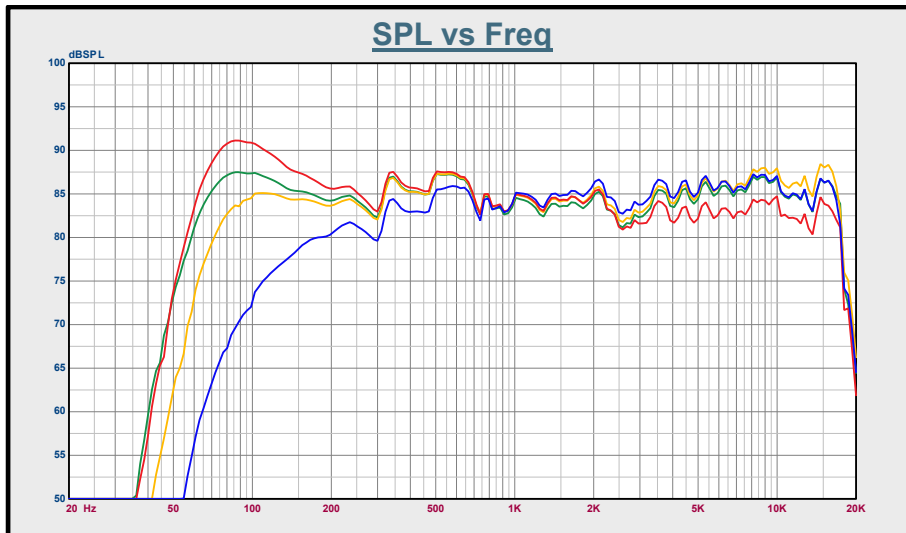
1. Press encoder knob to access setting menus.
2. Rotate encoder knob to scroll through setting menus.
3. Press encoder knob to select desired setting menu.
4. Rotate encoder knob to adjust setting to desired selection.
5. Push encoder knob to Save and Return.

					Normal Live Club Speech
					Pole Monitor Bracket
					+10dB ... -10dB
					+10dB ... -10dB
					OFF ON LIMIT
					YES NO

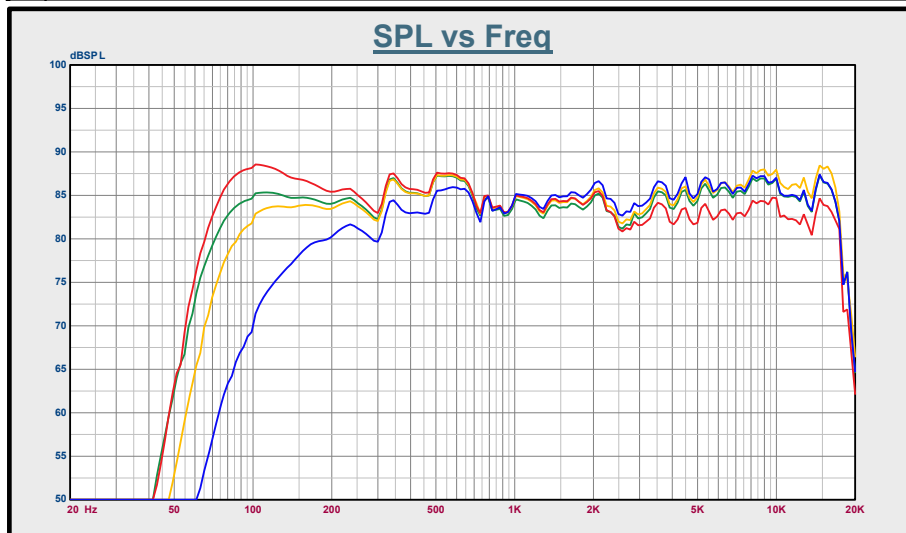
A10 - FREQUENCY CHARTS



- Map**
- 2: A10 - Normal+Pole
 - 3: A10 - Live+Pole
 - 4: A10 - Club+Pole
 - 5: A10 - Speech+Pole



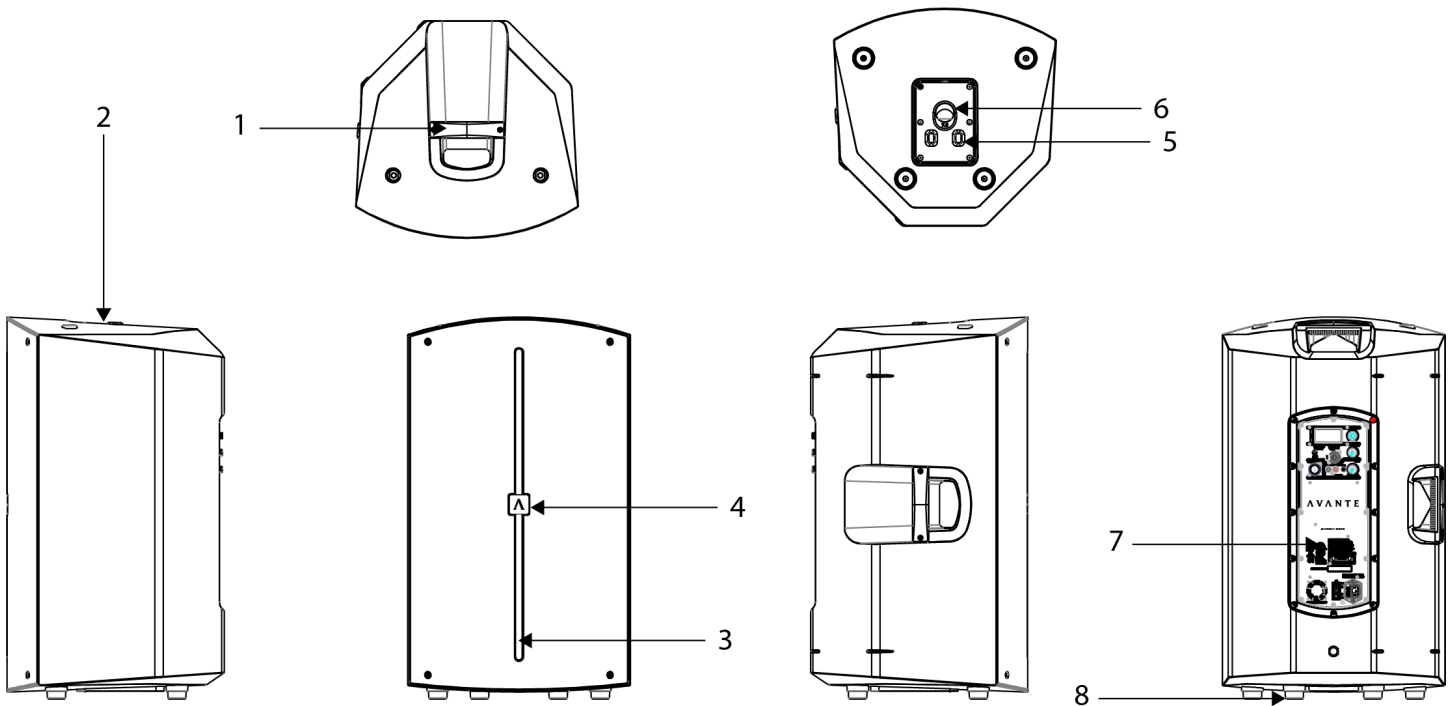
- Map**
- 7: A10 - Normal+Monitor
 - 8: A10 - Live+Monitor
 - 9: A10 - Club+Monitor
 - 10: A10 - Speech+Monitor



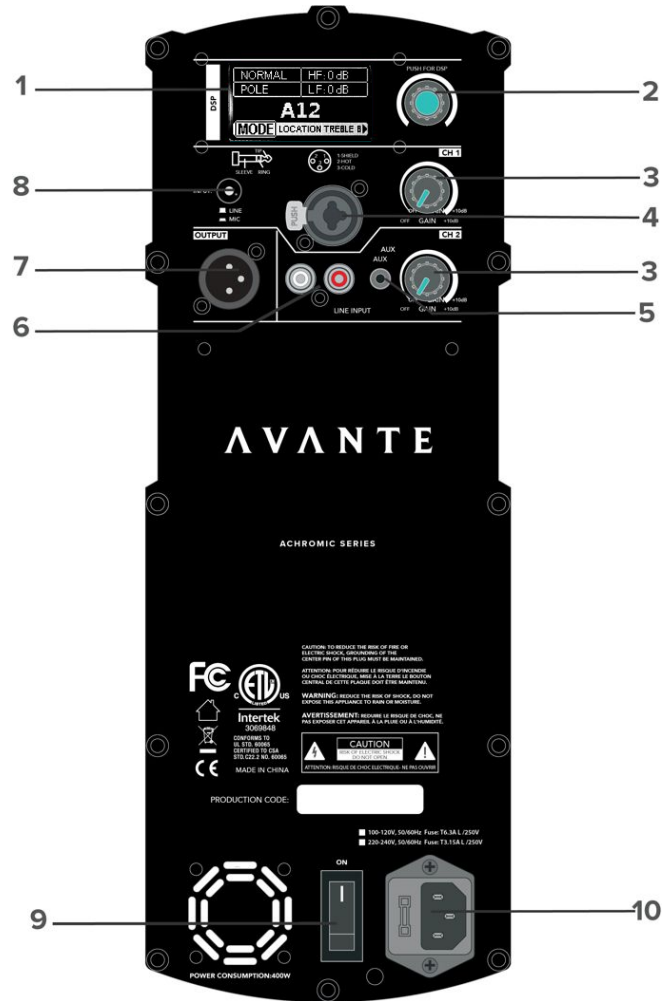
- Map**
- 12: A10 - Normal+Bracket
 - 13: A10 - Live+Bracket
 - 14: A10 - Club+Bracket
 - 15: A10 - Speech+Bracket

A 1 2 - FEATURES

1. Carrying Handle
2. ABS Enclosure
3. Power LED Indicator
4. Rotating Logo
5. Pole Socket Tilt Release
6. Adjustable Tilt Pole Socket
7. Amplifier Module
8. Anti-Slip Rubber Feet



A 1 2 - CONTROLS AND CONNECTIONS



1. LCD Display - DSP Parameters and Status
2. DSP Edit Encoder / Button
3. CH1 / CH2 Level
4. CH1 XLR/1/4" Combo Jack Input
5. CH2 Mini Jack (3.5mm) Line Input
6. CH2 RCA Line Input
7. MIX XLR Output
8. CH1 Line/Mic Switch
9. Power Switch
10. Power Cord Input

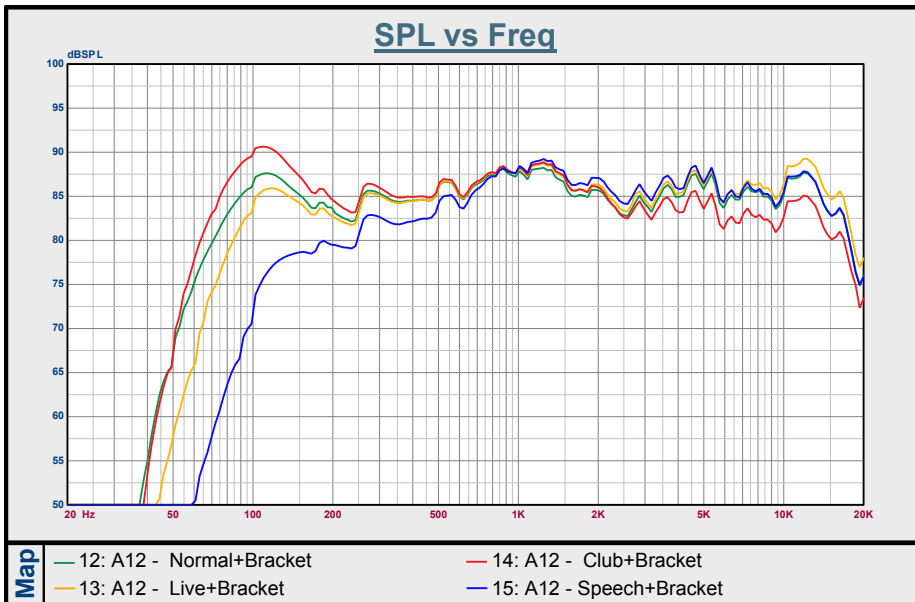
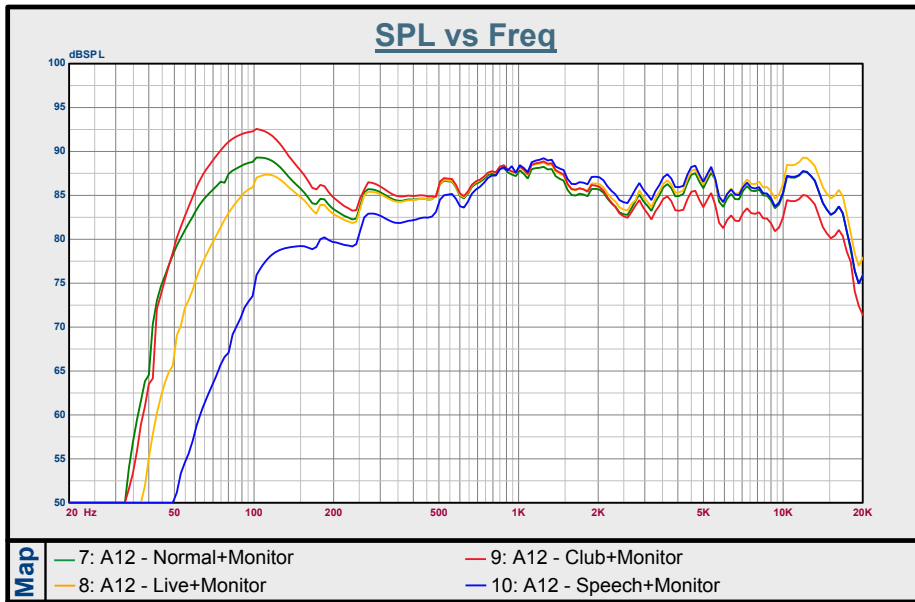
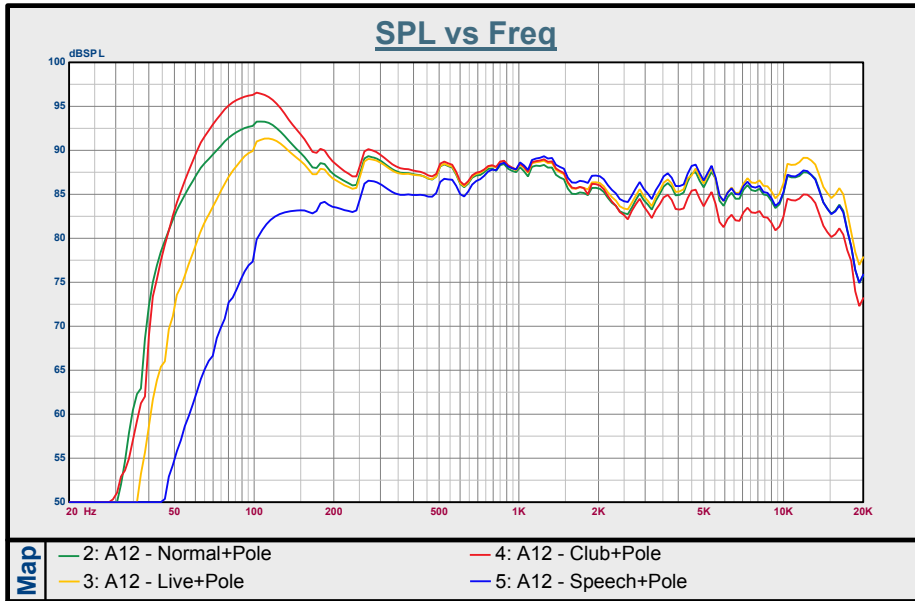
A12 - DSP OPERATION



1. Press encoder knob to access setting menus.
2. Rotate encoder knob to scroll through setting menus.
3. Press encoder knob to select desired setting menu.
4. Rotate encoder knob to adjust setting to desired selection.
5. Push encoder knob to Save and Return.

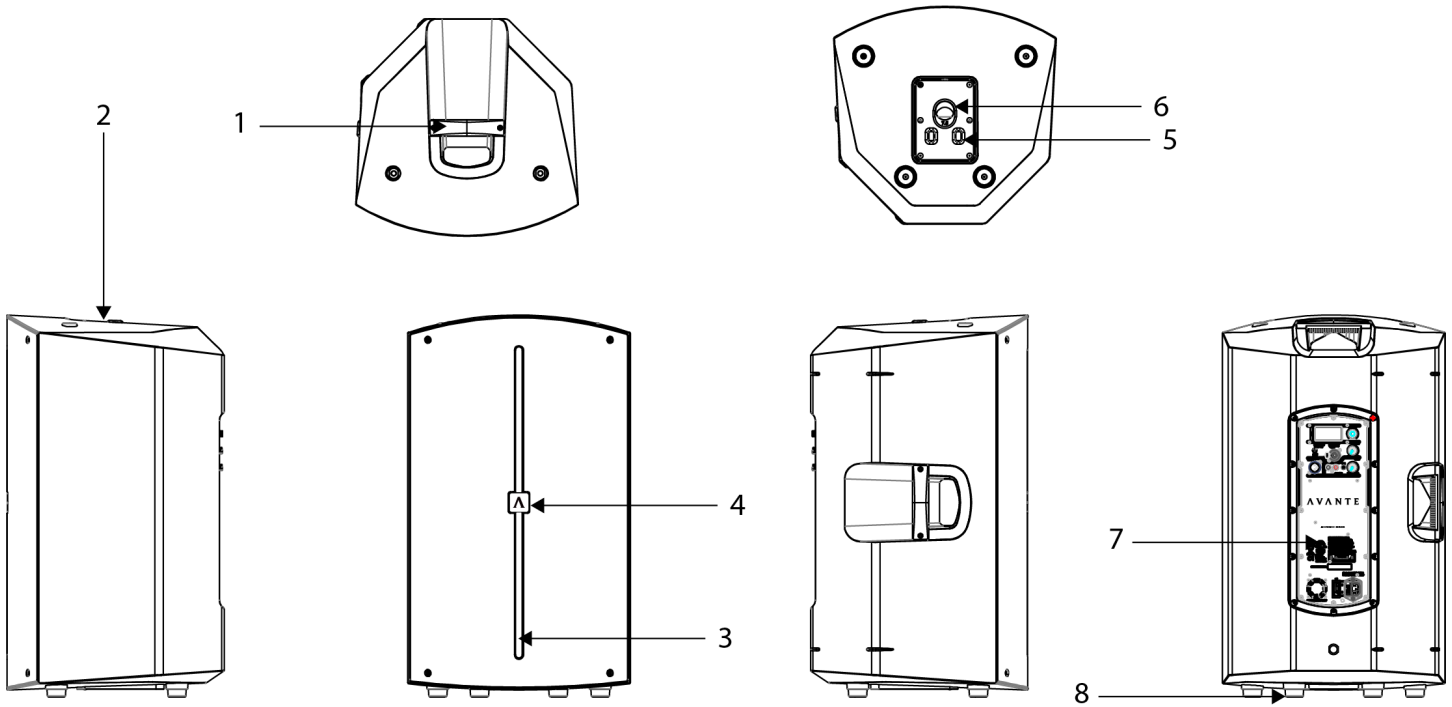
					Normal Live Club Speech
					Pole Monitor Bracket
					+10dB ... -10dB
					+10dB ... -10dB
					OFF ON LIMIT
					YES NO

A12 - FREQUENCY CHARTS

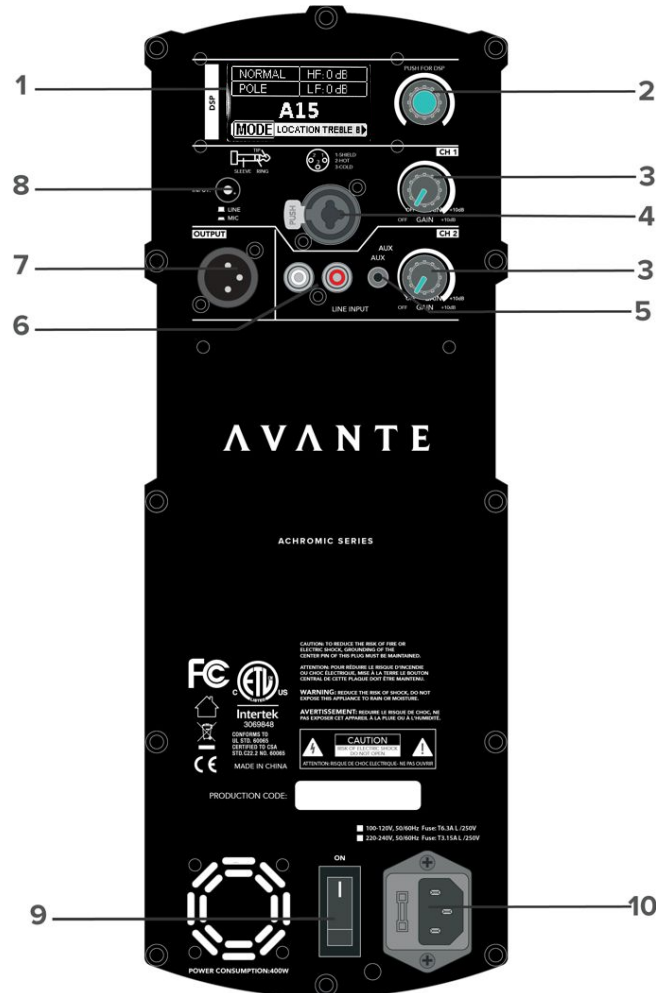


A 1 5 - FEATURES

1. Carrying Handle
2. ABS Enclosure
3. Power LED Indicator
4. Rotating Logo
5. Pole Socket Tilt Release
6. Adjustable Tilt Pole Socket
7. Amplifier Module
8. Anti-Slip Rubber Feet



A 1 5 - CONTROLS AND CONNECTIONS



1. LCD Display - DSP Parameters and Status
2. DSP Edit Encoder / Button
3. CH1 / CH2 Level
4. CH1 XLR/1/4" Combo Jack Input
5. CH2 Mini Jack (3.5mm) Line Input
6. CH2 RCA Line Input
7. MIX XLR Output
8. CH1 Line/Mic Switch
9. Power Switch
10. Power Cord Input

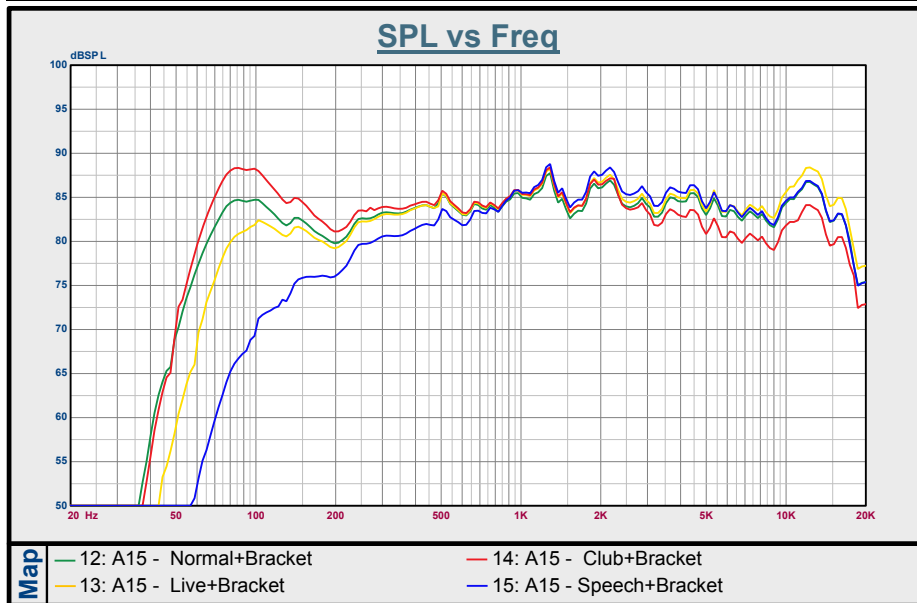
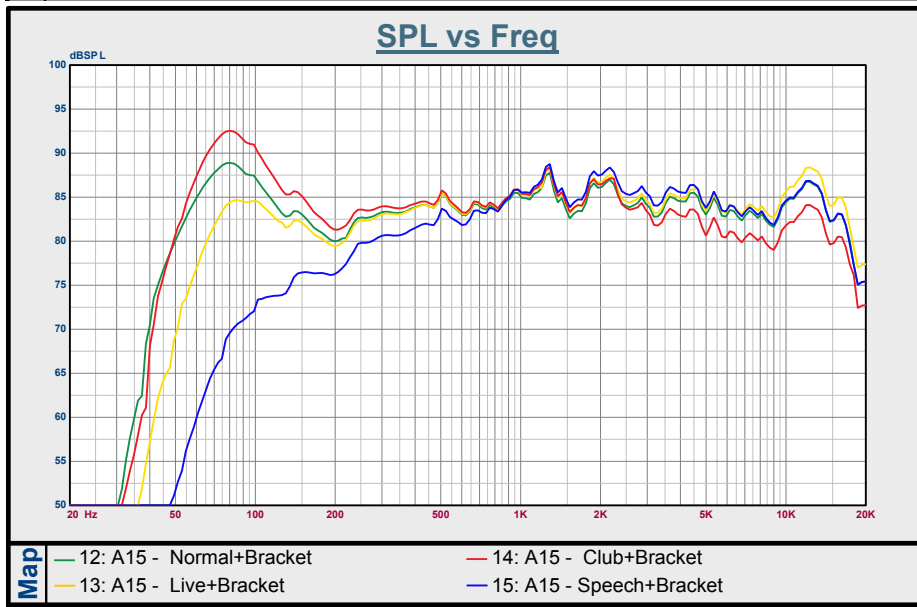
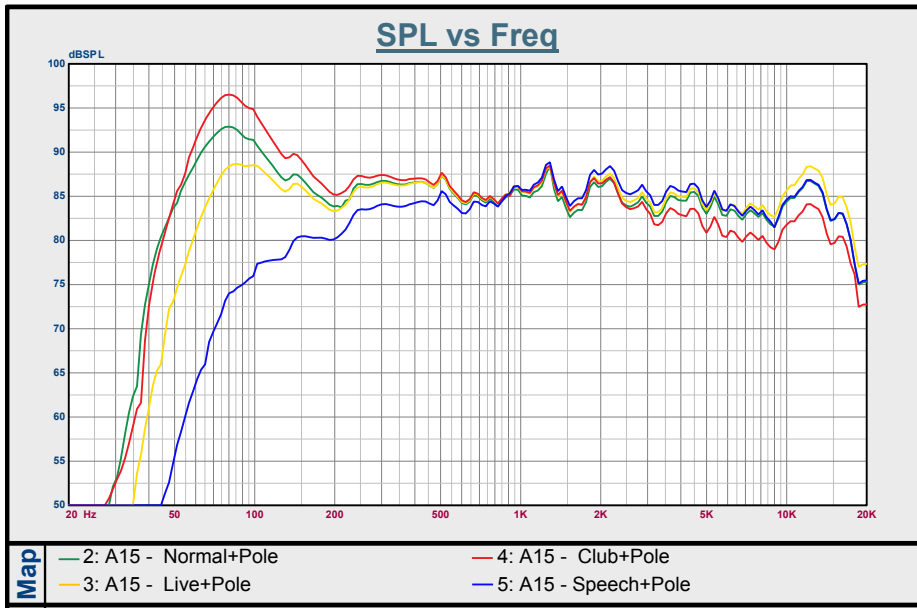
A15 - DSP OPERATION



1. Press encoder knob to access setting menus.
2. Rotate encoder knob to scroll through setting menus.
3. Press encoder knob to select desired setting menu.
4. Rotate encoder knob to adjust setting to desired selection.
5. Push encoder knob to Save and Return.

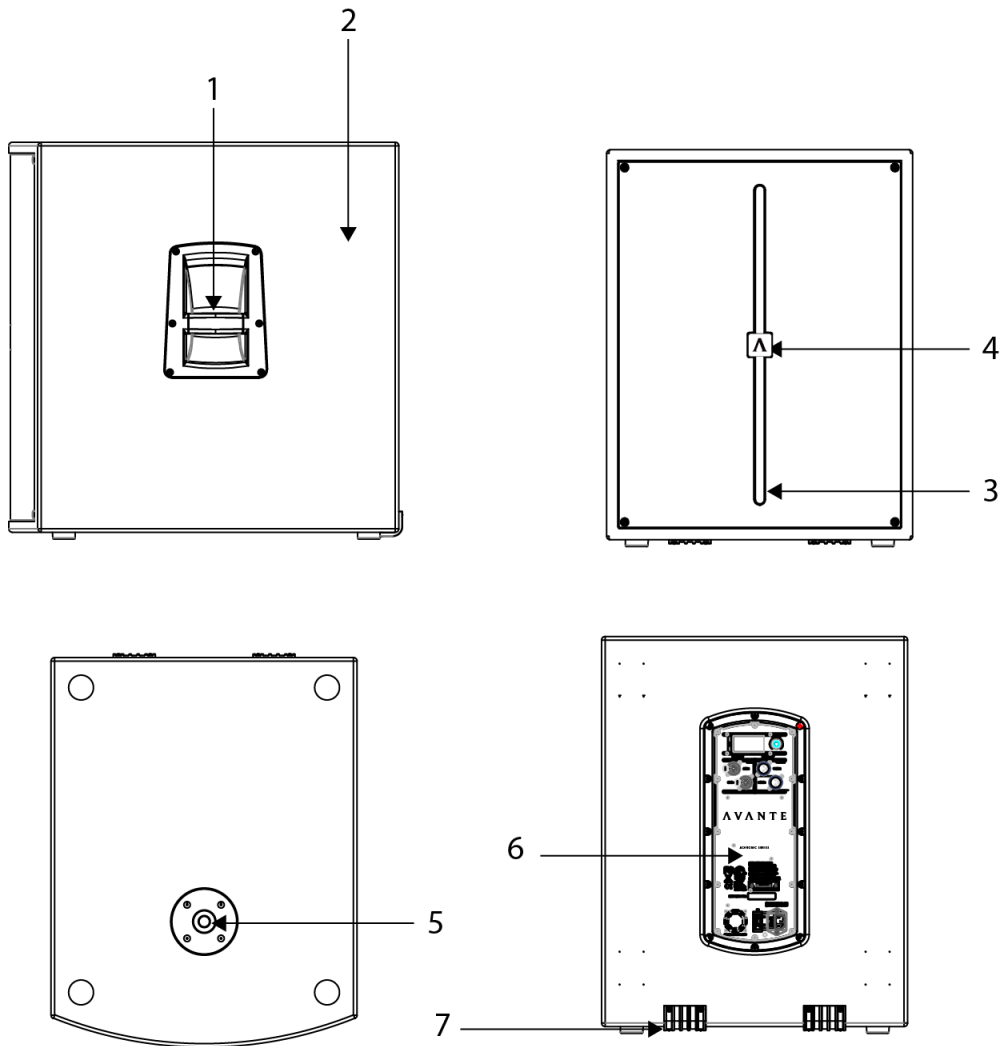
					Normal Live Club Speech
					Pole Monitor Bracket
					+10dB ... -10dB
					+10dB ... -10dB
					OFF ON LIMIT
					YES NO

A15 - FREQUENCY CHARTS

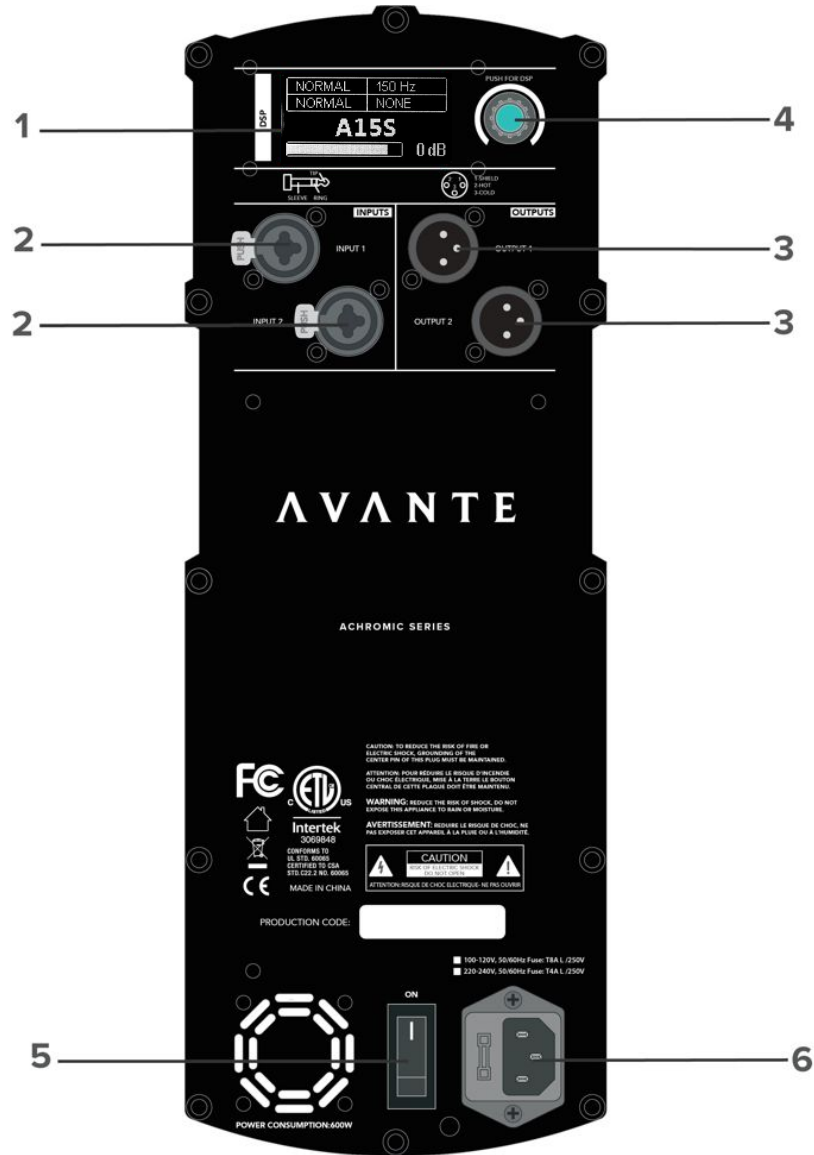


A 1 5 S - FEATURES

1. Carrying Handle
2. Plywood Enclosure
3. Power LED Indicator
4. Rotating Logo
5. 1 3/8" (M20) Threaded Pole Socket
6. Amplifier Module
7. Anti-Slip Rubber Feet



A 1 5 S - CONTROLS AND CONNECTIONS



1. LCD Display - DSP Parameters and Status
2. Input1 and Input2 XLR/1/4" Combo Jacks
3. Output1 and Output2 XLR Jacks
4. DSP Edit Encoder / Button
5. Power Switch
6. Power Cord Input

A15S - DSP OPERATION



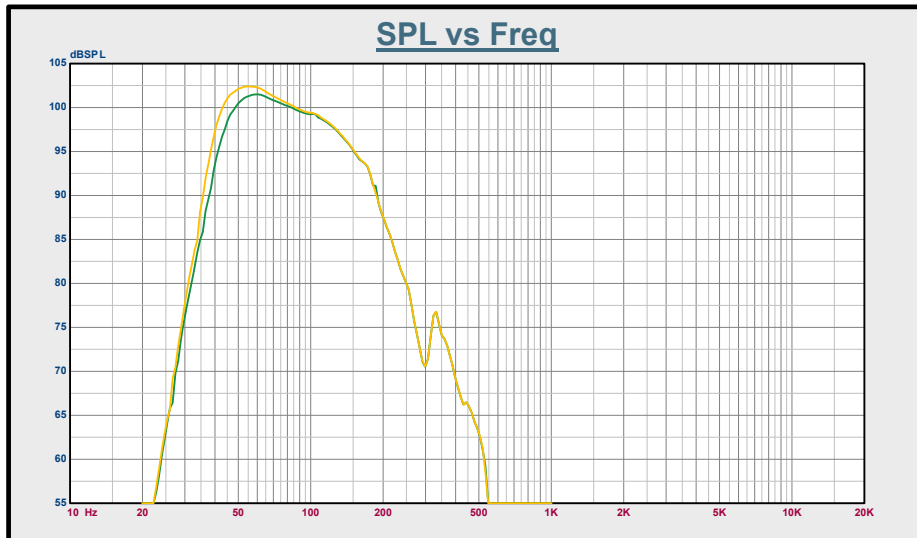
1. Press encoder knob to access setting menus.
2. Rotate encoder knob to scroll through setting menus.
3. Press encoder knob to select desired setting menu.
4. Rotate encoder knob to adjust setting to desired selection.
5. Push encoder knob to Save and Return.

					+10dB ... MUTE
					Normal Enforce
					Normal Cardioid Endfire
					NONE 0.25m. 1ft ... 10.5m. 34ft
					Normal Reverse
					150Hz 120Hz 100Hz 80Hz 60Hz A10 A12 A15
					Meter(m) Feet(ft)

A15S - DSP OPERATION

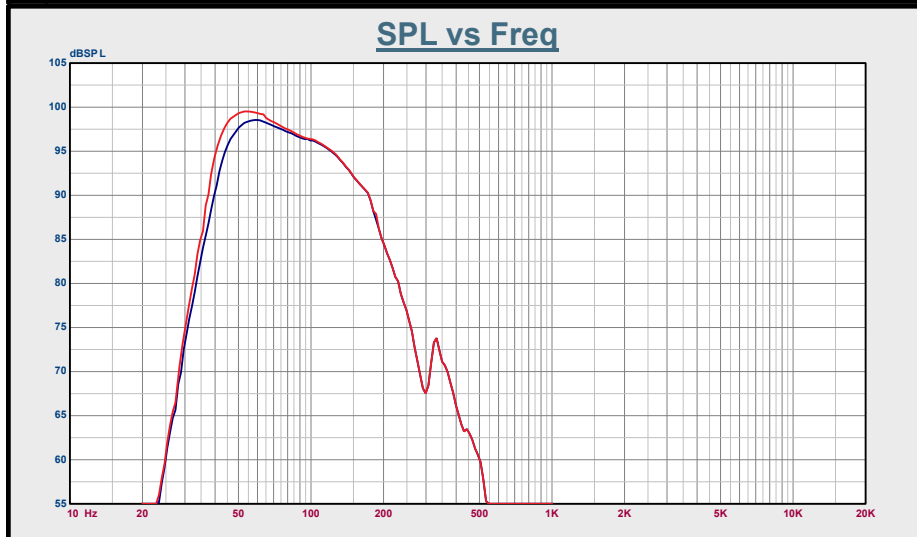
					<p>OFF ON LIMIT</p>
					<p>YES NO</p>
					<p>+10dB ... MUTE</p>

A15S - FREQUENCY CHARTS



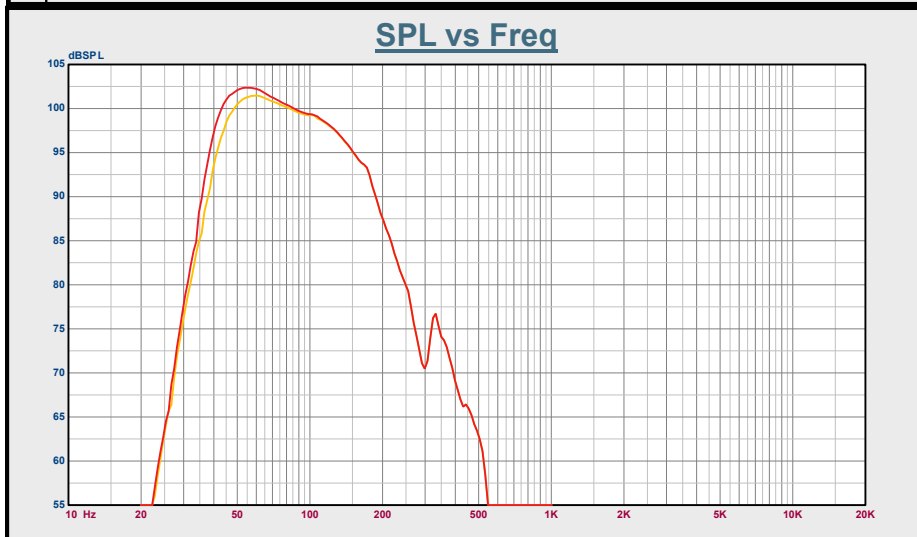
Map

- 2: A15S - Normal+Normal
- 3: A15S - Enforce+Normal



Map

- 5: A15S - Normal+Cardioid
- 6: A15S - Enforce+Cardioid

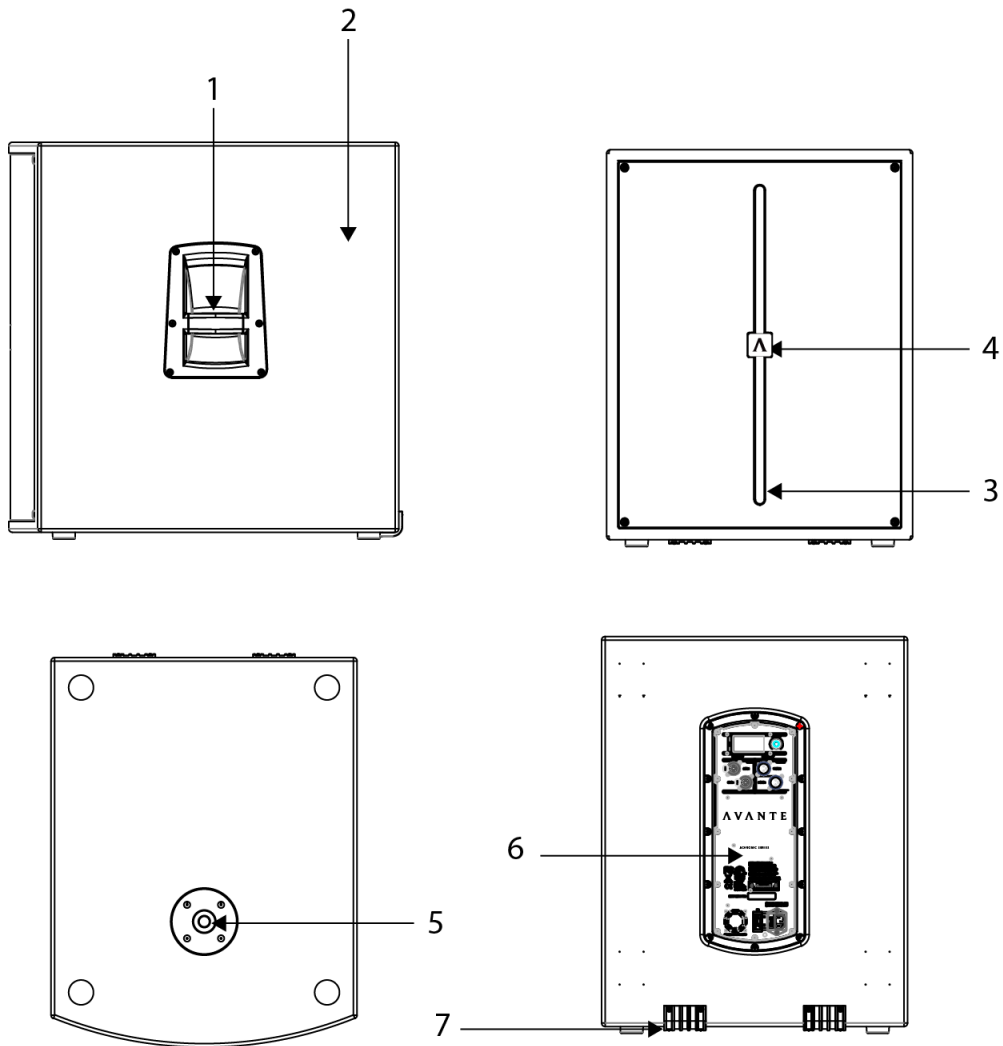


Map

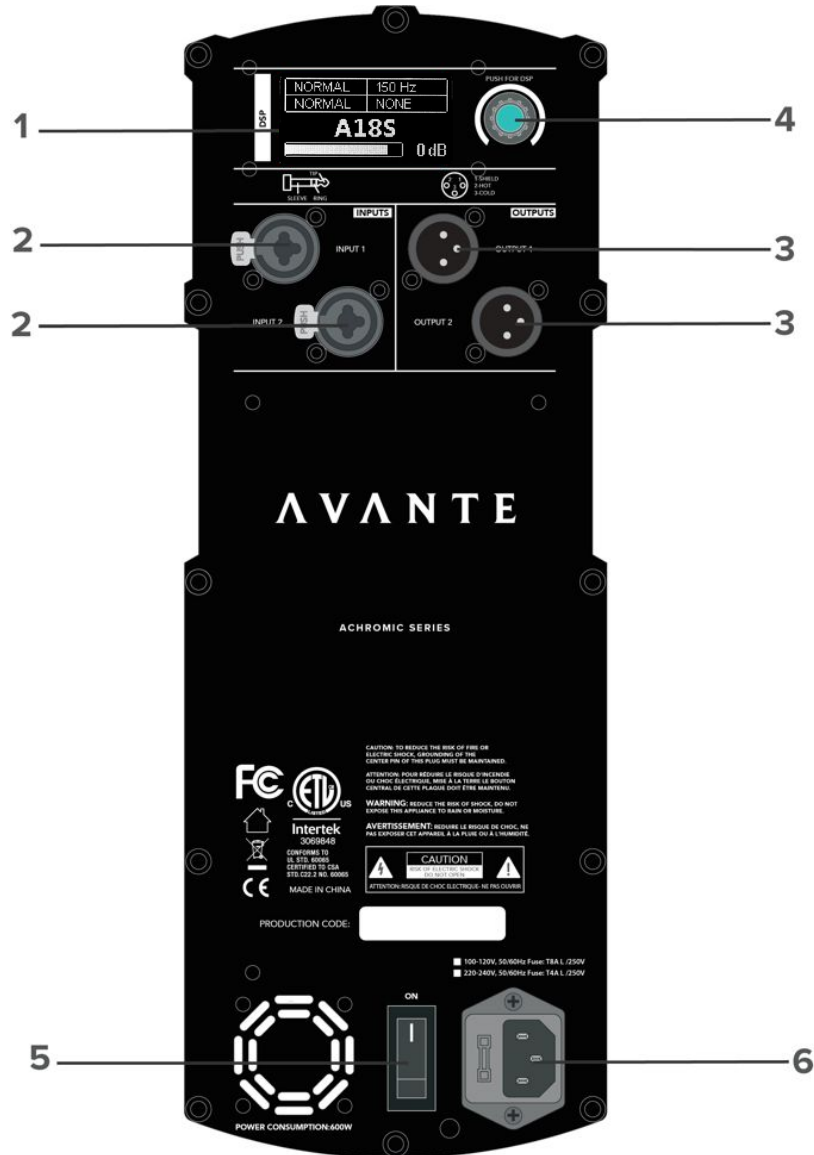
- 8: A15S - Normal+Endfire
- 9: A15S - Enforce+Endfire

A 1 8 S - FEATURES

1. Carrying Handle
2. Plywood Enclosure
3. Power LED Indicator
4. Rotating Logo
5. 1 3/8" (M20) Threaded Pole Socket
6. Amplifier Module
7. Anti-Slip Rubber Feet



A 1 8 S - CONTROLS AND CONNECTIONS



1. LCD Display - DSP Parameters and Status
2. Input1 and Input2 XLR/1/4" Combo Jacks
3. Output1 and Output2 XLR Jacks
4. DSP Edit Encoder / Button
5. Power Switch
6. Power Cord Input

A18S - DSP OPERATION



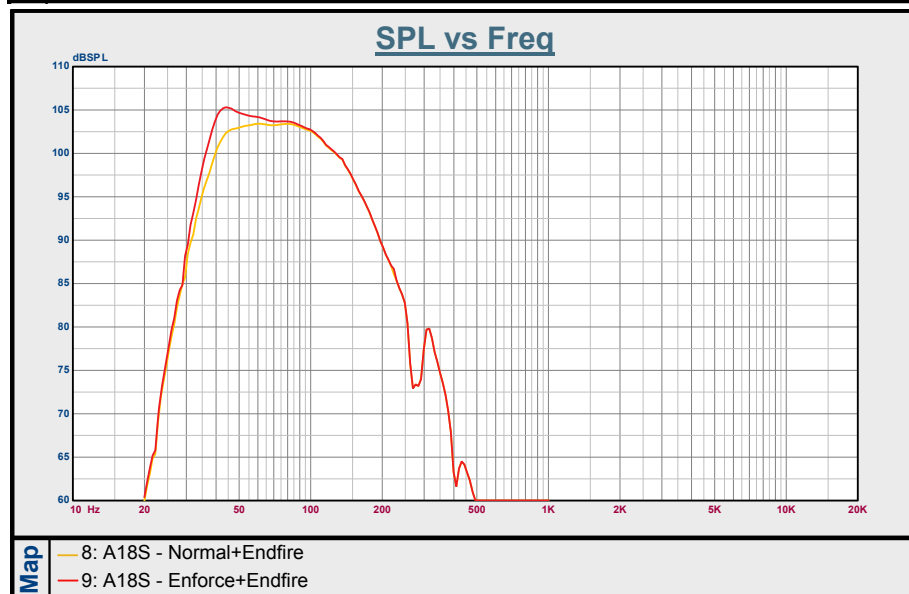
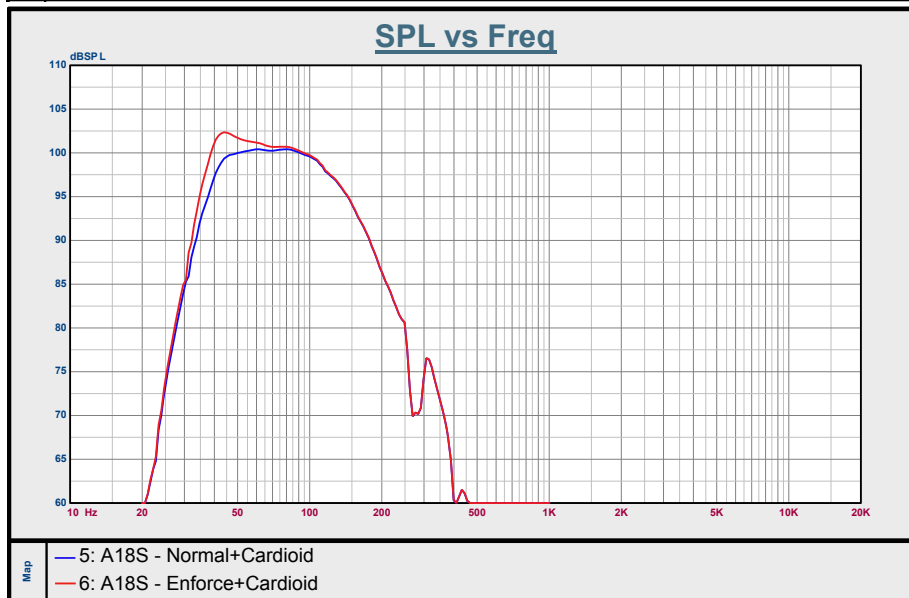
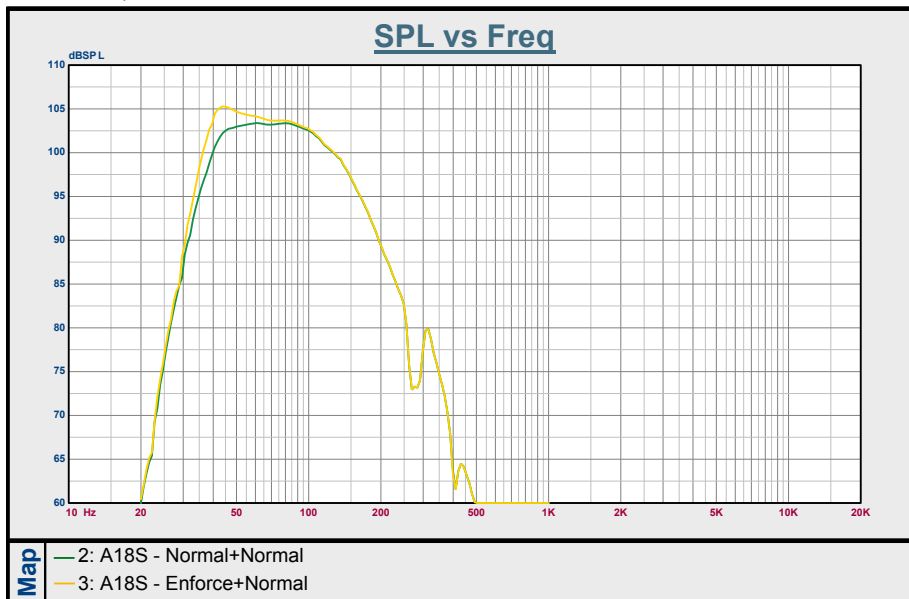
1. Press encoder knob to access setting menus.
2. Rotate encoder knob to scroll through setting menus.
3. Press encoder knob to select desired setting menu.
4. Rotate encoder knob to adjust setting to desired selection.
5. Push encoder knob to Save and Return.

					<p>+10dB ... MUTE</p>
					<p>Normal Enforce</p>
					<p>Normal Cardioid Endfire</p>
					<p>NONE 0.25m. 1ft ... 10.5m. 34ft</p>
					<p>Normal Reverse</p>
					<p>150Hz 120Hz 100Hz 80Hz 60Hz A10 A12 A15</p>
					<p>Meter(m) Feet(ft)</p>

A18S - DSP OPERATION

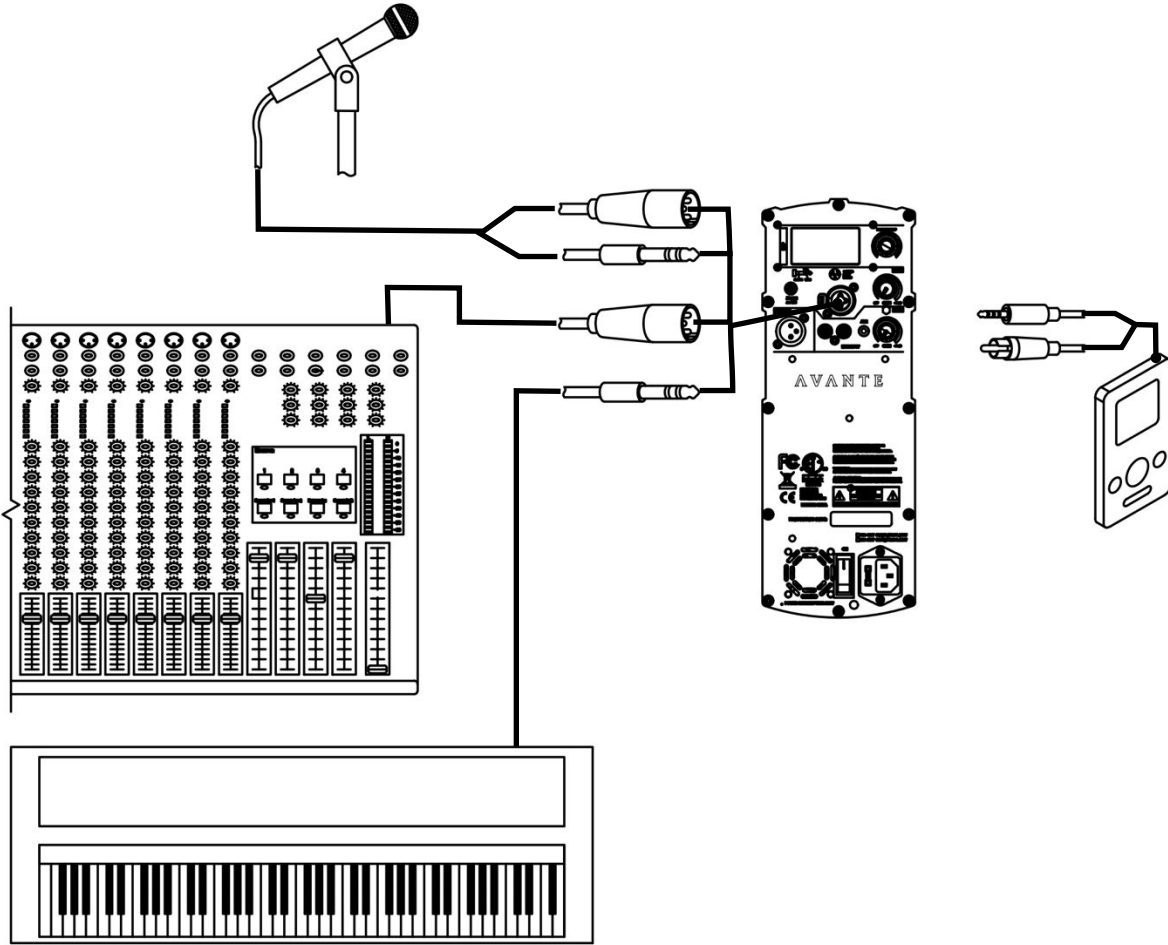
					<p>OFF ON LIMIT</p>
					<p>YES NO</p>
					<p>+10dB ... MUTE</p>

A18S - FREQUENCY CHARTS

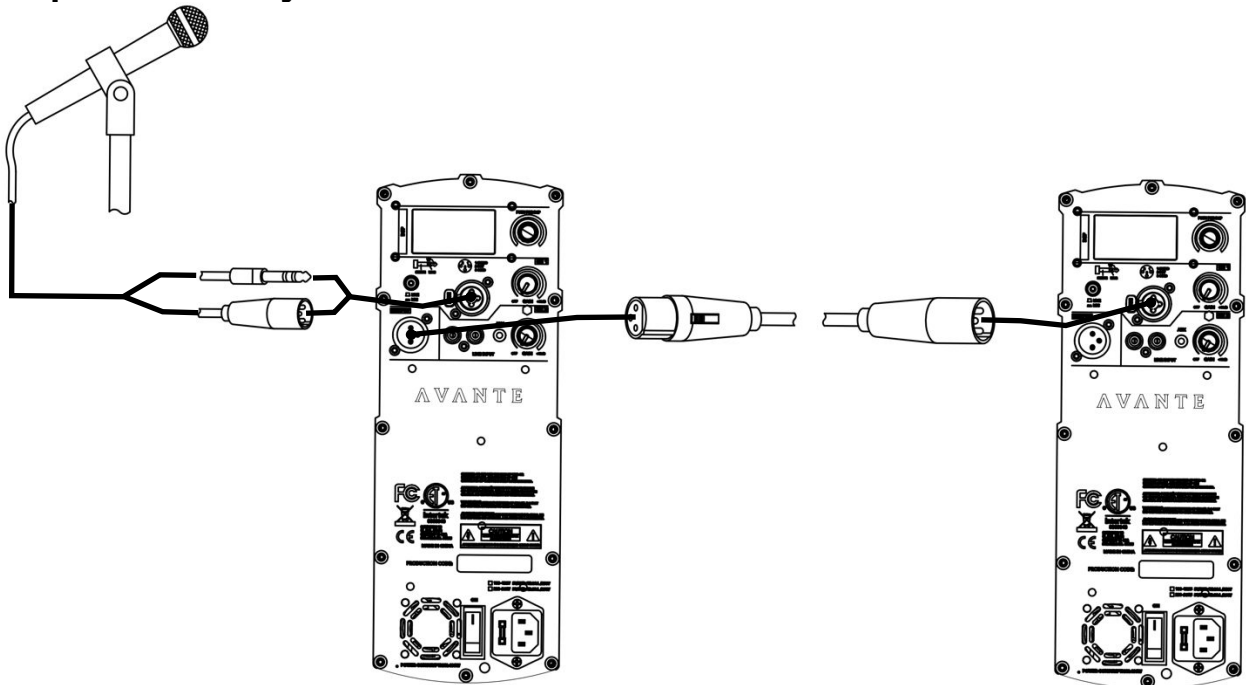


APPLICATION DIAGRAMS

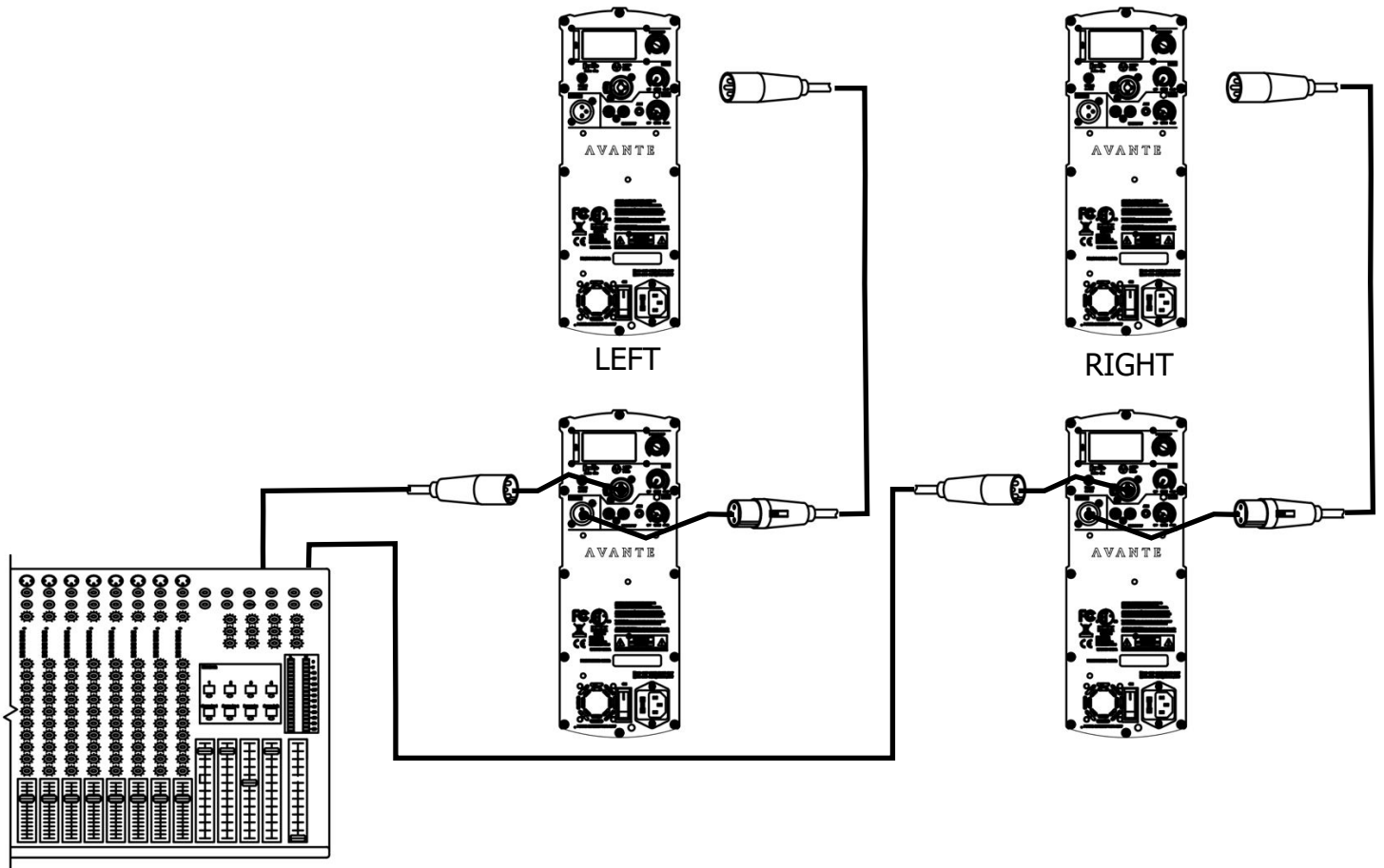
Multiple Input Options



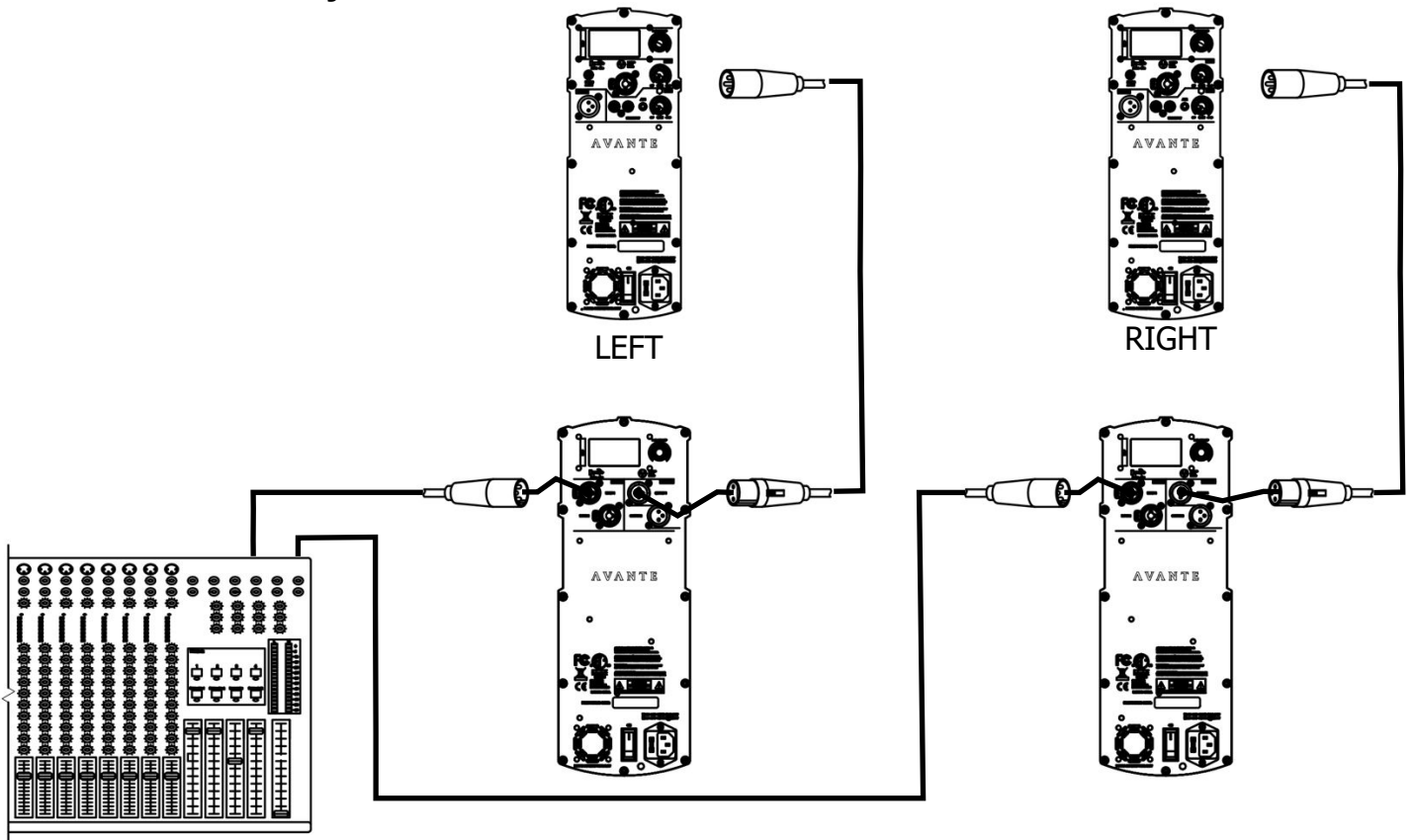
2-Loudspeakers Daisy-Chained



Typical Stereo System



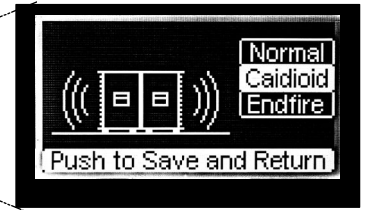
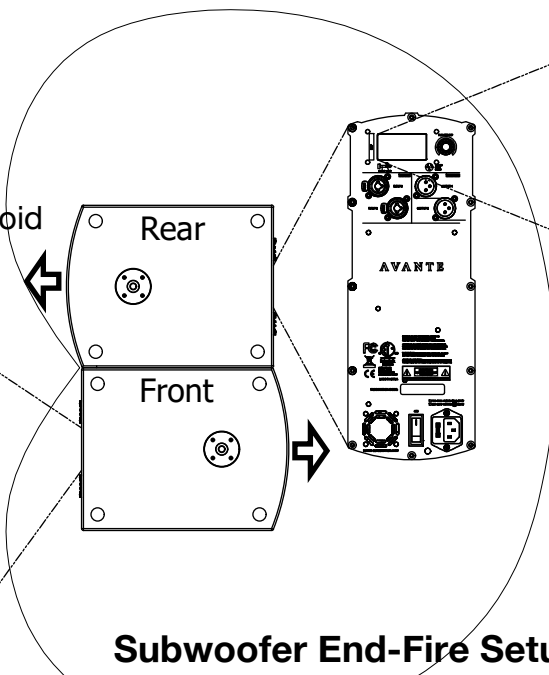
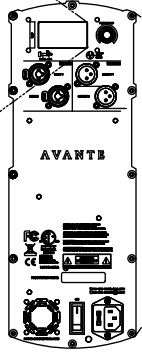
Subwoofer Stereo System



Subwoofer Cardioid Setup

Cardioid Setting:

	Rear	Front
Polarity	+	+
Delay	0	0
Gain	0	0
Mode	Normal	Cardioid



Subwoofer End-Fire Setup

Hyper End-Fire Setting w/Speakers Spaced 18" (45cm):

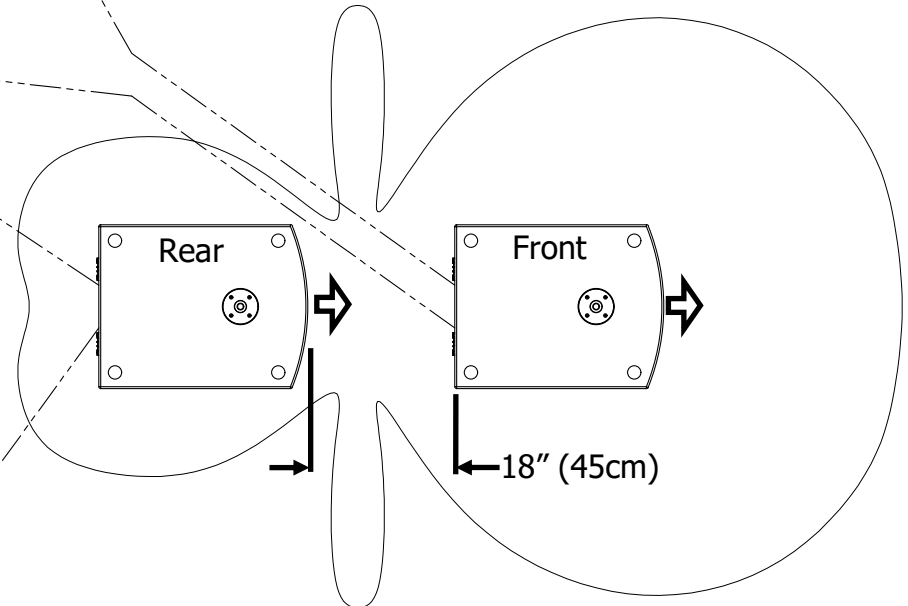
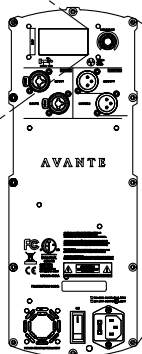
	Rear	Front
Polarity	+	+
Delay	0	0
Gain	0	0
Mode	Normal	End-Fire








Subwoofer Hyper End-Fire Setting:

Hyper End-Fire Setting w/Speakers Spaced 18" (45cm):

	Front	Rear
Polarity	+	-
Delay	0	1.00 meter
Gain	0	-4
Mode	Normal	Normal
X.O.	80	80 (60)



TECHNICAL SPECIFICATIONS

	A10	A12	A15	A15S	A18S
Frequency Range (-10db)	70Hz-20kHz	60Hz-20kHz	45Hz-20kHz	35Hz-160Hz	35Hz-150Hz
Nominal Coverage	90° x 60°	90° x 60°	90° x 60°	Omni-Direction Cardioid	Omni-Direction Cardioid
Output (Peak SPL@1M)	121dB	123dB	124dB	126dB	127dB
Amplifier Power	250W Class D (LF) +50W Class AB (HF) RMS 1000 W Peak	350W Class D (LF) + 50W Class AB (HF) RMS 1200 W Peak	350W Class D (LF) + 50W Class AB (HF) RMS 1200 W Peak	500W RMS Class D, 1600W Peak	500W RMS Class D, 1600W Peak
Current Consumption	400 Watts	400 Watts	400 Watts	600 Watts	600 Watts
DSP Features	LCD Screen with EQ and Multiple Presets	LCD Screen with EQ and Multiple Presets	LCD Screen with EQ and Multiple Presets	LCD Screen with EQ and Multiple Presets	LCD Screen with EQ and Multiple Presets
Driver Information	10" Woofer w/2" Voice Coil. 1" HF Compression Driver	12" Woofer w/2.5" Voice Coil. 1.35" HF Compression Driver	15" Woofer w/2.5" Voice Coil. 1.35" HF Compression Driver	15" Woofer w/3" Voice Coil	18" Woofer w/3" Voice Coil
Input /Output Connectors	Balanced female XLR/ ¼" combo jack, 2 x RCA (Phono). Balanced Male XLR Output	Balanced female XLR /¼" combo jack, 2 x RCA (Phono). Balanced Male XLR Output	Balanced female XLR/ ¼" combo jack, 2 x RCA (Phono). Balanced Male XLR Output	2 x Balanced female XLR/ ¼" combo jacks, 2 x XLR male balanced outputs	2 x Balanced female XLR/ ¼" combo jacks, 2 x XLR male balanced outputs
Enclosure	H-PP Molded	H-PP Molded	H-PP Molded	15mm Plywood	18mm Plywood
Grill	1.2 mm Steel	1.2 mm Steel	1.2 mm Steel	1.2 mm Steel	1.2 mm Steel
Handles	1 Top	1 Top, 1 Side	1 Top, 1 Side	2 Side	2 Side
Fly Points (M10)	2 Top 1 Back	2 Top 1 Back	2 Top 1 Back		
Pole Mounting	Dual Position 0°, 7.5°	Dual Position 0°, 7.5°	Dual Position 0°, 7.5°	Ground Stack	Ground Stack
Power Input	120V/60Hz 240V/50HZ (Country Specific)	120V/60Hz 240V/50HZ (Country Specific)	120V/60Hz 240V/50HZ (Country Specific)	120V/60Hz 240V/50HZ (Country Specific)	120V/60Hz 240V/50HZ (Country Specific)
Net Dimensions					
Height	20.9" (530 mm)	24.7" (628 mm)	28.7" (728 mm)	24.1" (612 mm)	26.1" (662 mm)
Width	12.2" (310 mm)	14.4" (365 mm)	16.7" (425 mm)	16.9" (430 mm)	20.1" (510 mm)
Depth	11.8" (299 mm)	13.9" (354 mm)	16.3" (414 mm)	23.9" (607 mm)	25.5" (647 mm)
Net Weight	25 lbs. (11.3 kg)	35 lbs. (15.9 kg)	42 lbs. (19.1 kg)	57 lbs. (25.9 kg)	73 lbs. (33.1 kg)
cETLus	 Intertek 3069848	 Intertek 3069848	 Intertek 3069848	 Intertek 3069848	 Intertek 3069848

OPTIONAL ACCESSORIES

ORDER CODE	ITEM
AVACK4	ACHROMIC A15S / A18S CASTER SET (4)
A10 COVER	ACHROMIC A10 BLACK PADDED SLIP ON COVER
A12 COVER	ACHROMIC A12 BLACK PADDED SLIP ON COVER
A15 COVER	ACHROMIC A15 BLACK PADDED SLIP ON COVER
A15S COVER	ACHROMIC A15S BLACK PADDED SLIP ON COVER
A15SC COVER	ACHROMIC A15S w/CASTERS BLACK PADDED SLIP ON COVER
A18S COVER	ACHROMIC A18S BLACK PADDED SLIP ON COVER
A18SC COVER	ACHROMIC A18S w/CASTERS BLACK PADDED SLIP ON COVER
A10-TOTE	ACHROMIC A10 TOTE BAG
A12-TOTE	ACHROMIC A12 TOTE BAG
A15-TOTE	ACHROMIC A15 TOTE BAG
Z-M10-58	M10 EYE BOLT - Single
Z-M10-58-3	M10 EYE BOLTS - 3-Pack
WMB001	AVANTE Wall Mount Bracket (2)

