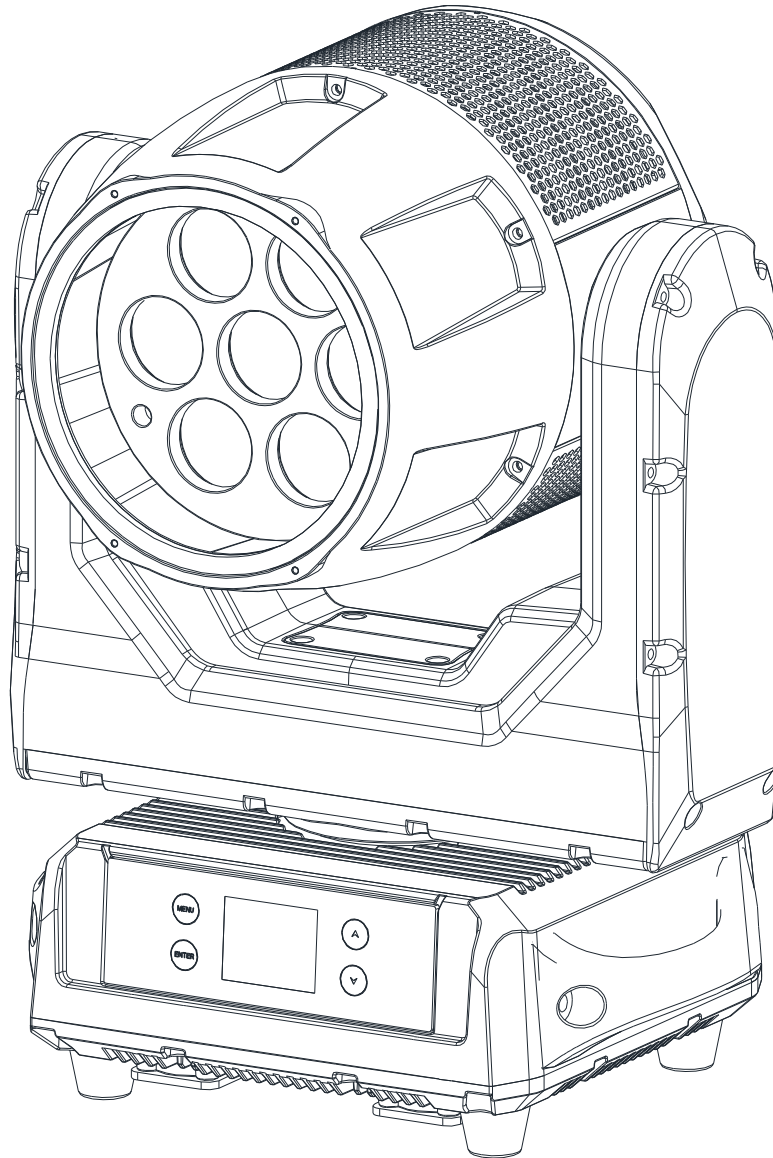




HYDRO WASH X7



User Instructions

©2019 ADJ Products, LLC all rights reserved. Information, specifications, diagrams, images, and instructions herein are subject to change without notice. ADJ Products, LLC logo and identifying product names and numbers herein are trademarks of ADJ Products, LLC. Copyright protection claimed includes all forms and matters of copyrightable materials and information now allowed by statutory or judicial law or hereinafter granted. Product names used in this document may be trademarks or registered trademarks of their respective companies and are hereby acknowledged. All non-ADJ Products, LLC brands and product names are trademarks or registered trademarks of their respective companies.

ADJ Products, LLC and all affiliated companies hereby disclaim any and all liabilities for property, equipment, building, and electrical damages, injuries to any persons, and direct or indirect economic loss associated with the use or reliance of any information contained within this document, and/or as a result of the improper, unsafe, insufficient and negligent assembly, installation, rigging, and operation of this product.

FCC STATEMENT

This device complies with Part 15 of the FCC Rules. Operation is subject to the following two conditions: (1) this device may not cause harmful interference, and (2) this device must accept any interference received, including interference that may cause undesired operation.

FCC RADIO FREQUENCY INTERFERENCE WARNINGS & INSTRUCTIONS

This product has been tested and found to comply with the limits as per Part 15 of the FCC Rules. These limits are designed to provide reasonable protection against harmful interference in a residential installation. This device uses and can radiate radio frequency energy and, if not installed and used in accordance with the included instructions, may cause harmful interference to radio communications. However, there is no guarantee that interference will not occur in a particular installation. If this device does cause harmful interference to radio or television reception, which can be determined by turning the device off and on, the user is encouraged to try to correct the interference by one or more of the following methods:

- Reorient or relocate the device.
- Increase the separation between the device and the receiver.
- Connect the device to an electrical outlet on a circuit different from which the radio receiver is connected.
- Consult the dealer or an experienced radio/TV technician for help.

DOCUMENT VERSION

Due to additional product features and/or enhancements, an updated version of this document may be available online.

Please check www.adj.com for the latest revision/update of this manual before beginning installation and/or programming.

Date	Document Version	Software Version \geq	DMX Channel Mode	Notes
09/27/19	1	1.0	15 / 17 / 41	Initial Version
10/01/19	1.2	N/C	N/C	Software Update Instructions Added

Europe Energy Saving Notice

Energy Saving Matters (EuP 2009/125/EC)

Saving electric energy is a key to help protecting the environment. Please turn off all electrical products when they are not in use. To avoid power consumption in idle mode, disconnect all electrical equipment from power when not in use. Thank you!

Introduction	3
Features Warranty Registration	4
IP65 Notice	5
Safety Guidelines	6
Overview	10
Torque Settings & IP Tester	11
Torque Screw Locations	12
Fixture Installation	13
Connections	16
DMX Set Up	17
DMX Addressing	18
DMX Channel Modes	19
Color Macro Chart	22
System Menu	24
WiFly Control	31
Target Modes	33
Dimmer Curve Chart	34
Error Codes	35
Dimensional Drawings	36
Updating the Software	37
Power Linking Cleaning	38
Limited Warranty (USA Only)	39
Technical Specifications	40

Unpacking: Thank you for purchasing the Hydro Wash X7 by ADJ Products, LLC. Every Hydro Wash X7 has been thoroughly tested and has been shipped in perfect operating condition. Carefully check the shipping carton for damage that may have occurred during shipping. If the carton appears to be damaged, carefully inspect your fixture for any damage and be sure all accessories necessary to operate the unit has arrived intact. In the case damage has been found or parts are missing, please contact our toll free customer support number for further instructions. Do not return this unit to your dealer without first contacting customer support.

Introduction: The ADJ Hydro Wash X7 is a DMX intelligent, IP rated, high powered, moving head fixture. To optimize the performance of this product, please read these operating instructions carefully to familiarize yourself with the basic operations of this unit.

This product is intended to be used by professionally trained personnel only and is not suitable for private use.

These instructions contain important safety information regarding the use and maintenance of this unit. Please keep this manual with the unit, for future reference.

Customer Support: Contact ADJ Service for any product related service and support needs. Also visit forums.adj.com with questions, comments or suggestions.

Parts: To purchase parts online visit:

<http://parts.americandj.com> (US)

<http://www.adjparts.eu> (EU)

ADJ SERVICE USA - Monday - Friday 8:00am to 4:30pm PST

Voice: 800-322-6337 | Fax: 323-582-2941 | support@adj.com

ADJ SERVICE EUROPE - Monday - Friday 08:30 to 17:00 CET

Voice: +31 45 546 85 60 | Fax: +31 45 546 85 96 | support@adj.eu

ADJ PRODUCTS LLC USA

6122 S. Eastern Ave. Los Angeles, CA. 90040

323-582-2650 | Fax 323-532-2941 | www.adj.com | info@adj.com

ADJ SUPPLY Europe B.V

Junostraat 2 6468 EW Kerkrade, The Netherlands

+31 (0)45 546 85 00 | Fax +31 45 546 85 99

www.adj.eu | info@adj.eu

ADJ PRODUCTS GROUP Mexico

AV Santa Ana 30 Parque Industrial Lerma, Lerma, Mexico 52000

+52 (728) 282-7070

Caution! There are no user serviceable parts inside this unit. Do not attempt any repairs yourself, doing so will void your manufactures warranty. In the unlikely event your unit may require service please contact ADJ Products, LLC.

PLEASE recycle the shipping carton when ever possible.

- IP65 Outdoor Rated
- Electronic Dimming 0-100%
- DMX-512 protocol
- 5-Pin DMX Connection
- Multiple DMX Modes
- IP65 Twist Lock Power In & Out
- Zooming
- Multiple Unit Power Linking (See page 38)

Included:

- 1 x IP65 Twist Lock Power Cable
- 2 x Omega Brackets

The Hydro Wash X7 carries a 2 year limited warranty. Please fill out the enclosed warranty card to validate your purchase. All returned service items whether under warranty or not, must be freight pre-paid and accompany a return authorization (R.A.) number. The R.A. number must be clearly written on the outside of the return package. A brief description of the problem as well as the R.A. number must also be written down on a piece of paper included in the shipping carton. If the unit is under warranty, you must provide a copy of your proof of purchase invoice. You may obtain a R.A. number by contacting our customer support team on our customer support number. All packages returned to the service department not displaying a R.A. number on the outside of the package will be returned to the shipper.

IP65 RATED

An IP rated lighting fixture is one, which is commonly installed in outdoor environments and has been designed with an enclosure that effectively protects the ingress (entry) of external foreign objects such as dust and water. The International Protection (IP) rating system is commonly expressed as "IP" (Ingress Protection) followed by two numbers (i.e. IP65) where the numbers define the degree of protection. The first digit (Foreign Bodies Protection) indicates the extent of protection against particles entering the fixture and the second digit (Water Protection) indicates the extent of protection against water entering the fixture. An IP65 rated lighting fixture is one, which has been designed and tested to protect against the ingress of dust (6) and high-pressure water jets from any direction (5).

MARINE/COASTAL ENVIRONMENT INSTALLATIONS

NOT suitable for marine and/or coastal environment installations. Installing this fixture in a marine and/or coastal environment may cause corrosion and/or excessive wear to the interior and/or exterior components of the fixture. Damages and/or performance issues resulting from installation in a marine and/or coastal environment will void the manufactures warranty and will NOT be subject to any warranty claims and/or repairs.

FOR YOUR OWN PERSONAL SAFETY, PLEASE READ AND UNDERSTAND THIS MANUAL COMPLETELY BEFORE YOU ATTEMPT TO INSTALL OR OPERATE THIS UNIT!

- **THERE ARE NO USER SERVICEABLE PARTS INSIDE THIS UNIT. DO NOT ATTEMPT ANY REPAIRS YOURSELF; DOING SO WILL VOID YOUR MANUFACTURES WARRANTY. DAMAGES RESULTING FROM MODIFICATIONS TO THIS FIXTURE AND/OR THE DISREGARD OF SAFETY INSTRUCTIONS AND GUIDELINES IN THIS MANUAL VOID THE MANUFACTURES WARRANTY AND ARE NOT SUBJECT TO ANY WARRANTY CLAIMS AND/OR REPAIRS.**
- **DO NOT PLUG THE FIXTURE INTO A DIMMER PACK!
NEVER OPEN THIS FIXTURE WHILE IN USE!
UNPLUG POWER BEFORE SERVICING FIXTURE!
NEVER TOUCH THE FIXTURE DURING OPERATION AS IT MAY BE HOT!
KEEP FLAMMABLE MATERIALS AWAY FROM FIXTURE!**
- **ENSURE ALL CONNECTIONS AND END CAPS ARE PROPERLY SEALED WITH A DIELECTRIC GREASE (AVAILABLE AT MOST ELECTRICAL SUPPLIERS) TO PREVENT WATER CORROSION AND/OR ELECTRICAL SHORT CIRCUIT.**
- **IF THE FIXTURE IS EXPOSED TO ENVIRONMENTAL TEMPERATURE CHANGES SUCH AS RELOCATION FROM AN OUTDOOR COLD TO AN INDOOR WARM ENVIRONMENT, DO NOT POWER THE FIXTURE ON IMMEDIATELY. INTERNAL CONDENSATION AS A RESULT OF ENVIROMENTAL TEMPERATURE CHANGE CAN CAUSE INTERNAL FIXTURE DAMAGE. LEAVE THE FIXTURE POWERED OFF UNTIL IT HAS REACHED ROOM TEMPERATURE BEFORE POWERING ON.**
- **NEVER LOOK DIRECTLY INTO THE LIGHT SOURCE! RETINA INJURY RISK - MAY INDUCE BLINDNESS!
SENSITIVE PERSONS MAY SUFFER AN EPILEPTIC SHOCK!**
- Be sure that the local power outlet is compatible with the required voltage for your unit.
- Do not attempt to operate this unit if the power cord has been frayed or broken.
- Do not attempt to remove or break off the ground prong from the electrical cord. This prong is used to reduce the risk of electrical shock and fire in case of an internal short.
- Disconnect from main power before making any type of connection.
- Do not remove the cover under any conditions. There are no user serviceable parts inside.
- Never operate this unit when it's cover is removed.
- Always be sure to mount this unit in an area that will allow proper ventilation. Allow about 6" (15cm) between this device and a wall.
- Do not attempt to operate this unit, if it becomes damaged.
- Always mount this unit in safe and stable matter.
- Power-supply cords should be routed so that they are not likely to be walked on or pinched by items placed upon or against them, paying particular attention to cords at plugs, convenience receptacles, and the point where they exit from the appliance.
- Cleaning -The fixture should be cleaned only as recommended by the manufacturer. See page 38 for cleaning details.
- Heat -This fixture should be situated away from heat sources such as radiators, heat registers, stoves, or other appliances (including amplifiers) that produce heat.
- The fixture should be serviced by qualified service personnel when the appliance does not appear to operate normally or exhibits a marked change in performance.

SAFETY GUIDELINES

To guarantee a smooth operation, it is important to follow all instructions and guidelines in this manual. ADJ Products, LLC is not responsible for injury and/or damages resulting from the misuse of this fixture due to the disregard of the information printed in this manual. Only qualified and/or certified personnel should perform installation of this fixture and only the original rigging parts included with this fixture should be used for installation. Any modifications to the fixture and/or the included mounting hardware will void the original manufactures warranty and increase the risk of damage and/or personal injury.



PROTECTION CLASS 1 - FIXTURE MUST BE PROPERLY GROUNDED

THERE ARE NO USER SERVICEABLE PARTS INSIDE THIS UNIT. DO NOT ATTEMPT ANY REPAIRS YOURSELF; DOING SO WILL VOID YOUR MANUFACTURES WARRANTY. DAMAGES RESULTING FROM MODIFICATIONS TO THIS FIXTURE AND/OR THE DISREGARD OF SAFETY INSTRUCTIONS AND GUIDELINES IN THIS MANUAL VOID THE MANUFACTURES WARRANTY AND ARE NOT SUBJECT TO ANY WARRANTY CLAIMS AND/OR REPAIRS.



**DO NOT PLUG FIXTURE INTO A DIMMER PACK!
NEVER OPEN THIS FIXTURE WHILE IN USE!
UNPLUG POWER BEFORE SERVICING FIXTURE!
NEVER TOUCH FIXTURE DURING OPERATION AS IT MAY BE HOT!
KEEP FLAMMABLE MATERIALS AWAY FROM FIXTURE!**



ENSURE ALL CONNECTIONS AND END CAPS ARE PROPERLY SEALED WITH A DIELECTRIC GREASE (AVAILABLE AT MOST ELECTRICAL SUPPLIERS) TO PREVENT WATER CORROSION AND/OR ELECTRICAL SHORT CIRCUIT.



IF THE FIXTURE IS EXPOSED TO ENVIRONMENTAL TEMPERATURE CHANGES SUCH AS RELOCATION FROM AN OUTDOOR COLD TO AN INDOOR WARM ENVIRONMENT, DO NOT POWER THE FIXTURE ON IMMEDIATELY. INTERNAL CONDENSATION AS A RESULT OF ENVIRONMENTAL TEMPERATURE CHANGE CAN CAUSE INTERNAL FIXTURE DAMAGE. LEAVE THE FIXTURE POWERED OFF UNTIL IT HAS REACHED ROOM TEMPERATURE BEFORE POWERING ON.



**NEVER LOOK DIRECTLY INTO THE LIGHT SOURCE!
RETINA INJURY RISK - MAY INDUCE BLINDNESS!
SENSITIVE PERSONS MAY SUFFER AN EPILEPTIC SHOCK!**

SAFETY GUIDELINES

DO NOT TOUCH the fixture housing during operation. Turn OFF the power and allow approximately 60 minutes for the fixture to cool down before servicing.

DO NOT shake fixture; avoid brute force when installing and/or operating fixture.

DO NOT operate fixture if the power cord has become frayed, crimped, damaged and/or if any of the power cord connectors are damaged and do not insert into the fixture securely with ease.

NEVER force a power cord connector into the fixture. If the power cord or any of its connectors are damaged, replace it immediately with a new one of similar power rating.

DO NOT block any air ventilation slots; these must remain clean and never blocked.

Allow approx. 6" (15cm) between fixture and other devices or a wall for proper cooling.

When installing fixture in a suspended environment, always use mounting hardware that is no less than M10 x 25 mm, and always attach an appropriately rated safety cable.

ALWAYS disconnect fixture from main power source before performing any type of service and/or cleaning procedure. Only handle the power cord by the plug end; never pull out the plug by tugging the wire portion of the cord.

During the initial operation of this fixture, a light smoke or smell may emit from the interior of the fixture. This is a normal process and is caused by excess paint in the interior of the casing burning off from the heat associated with the LED and will decrease gradually over time.

Consistent operational breaks will ensure fixture will function properly for many years.

ONLY use the original packaging and materials to transport the fixture in for service.

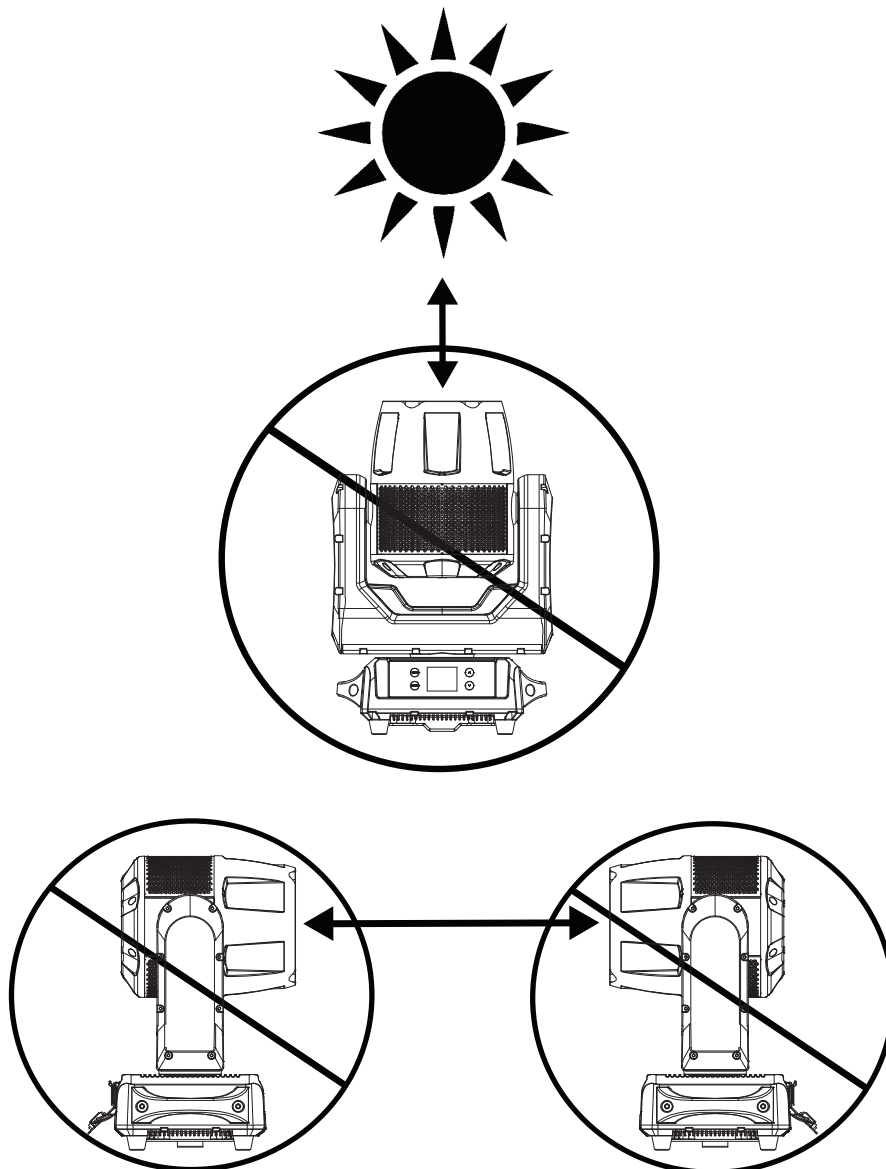
POTENTIAL INTERNAL FIXTURE DAMAGE FROM EXTERNAL SOURCES OF LIGHT BEAMS

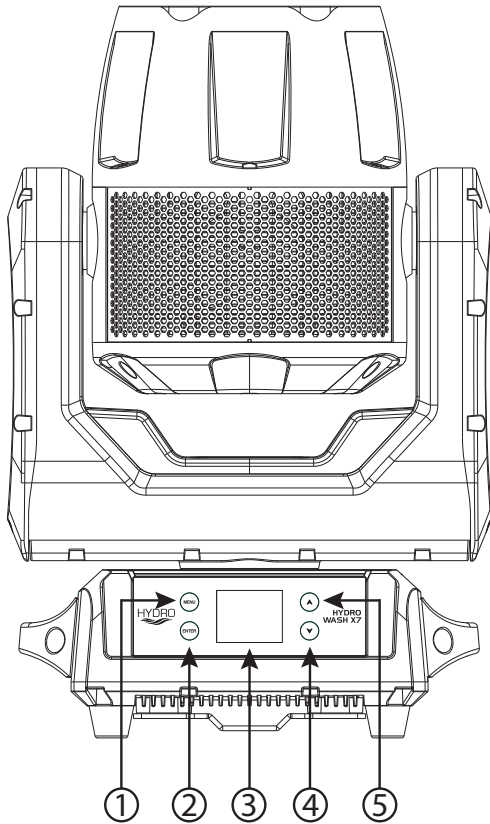
External sources of light beams from direct sunlight, lighting moving head fixtures, and lasers, which are focused directly towards the exterior housing and/or penetrate the front lens opening of ADJ lighting fixtures, can cause severe internal damage including burning to optics, dichroic color filters, glass and metal gobos, prisms, animation wheels, frost filters, iris, shutters, motors, belts, wiring, discharge lamps, and LEDs.

This issue is not specific only to ADJ lighting fixtures, it is a common issue with lighting fixtures from all manufacturers. Although there is no true way to fully prevent this issue from happening, the guidelines below can prevent any potential damage from occurring if followed. Contact ADJ Service for more details.

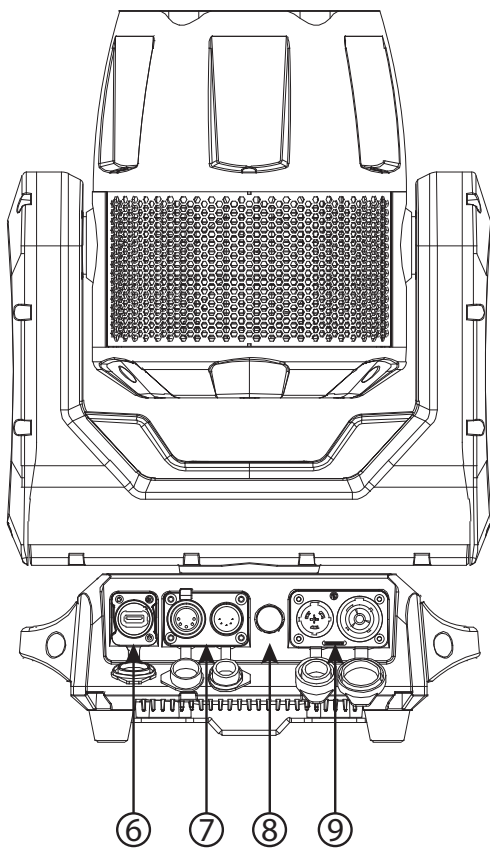
DO NOT EXPOSE THE FIXTURE AND/OR FRONT LENS OPENING TO LIGHT BEAMS FROM DIRECT SUNLIGHT, OTHER LIGHTING MOVING HEAD FIXTURES, AND LASERS WHILE UNPACKING, INSTALLATION, USE, AND EXTENDED IDLE TIMES OUTDOORS.

DO NOT FOCUS A LIGHT BEAM FROM ONE LIGHTING FIXTURE DIRECTLY TOWARDS ANOTHER.





- 1. MENU Button
- 2. ENTER Button
- 3. LCD Menu Control Display
- 4. DOWN Button
- 5. UP Button



- 6. Service Port
- 7. IP65 5-Pin DMX IN & DMX OUT
- 8. Gore Valve
- 9. IP65 Power In & Power Out

TORQUE SETTINGS FOR SCREWS

ALL SCREWS MUST BE TIGHTENED WITH A TORQUE DRIVER. All screws are Allen Head screws. Please see below for screw locations, screw quantity and torque settings. The number listed in the “#” column corresponds to the location on the fixture. See the fixture diagram and number on the next page for **SCREW LOCATION** depictions.

#	SCREW LOCATIONS	SCREW TORQUE SETTINGS
1	Lens Assembly to Head Casting (x6)	6.5-8.7 In-Lb
2	Lamp Cover to Head Casting (x4)	6.5-8.7 In-Lb
3	Yoke Arm Cover to Yoke Frame (8 x Each Side = 16 Total)	6.5-8.7 In-Lb
4	Access Cover to Yoke Frame (x4)	Fasten by Manual Screwdriver
5	Handle to Base Casting (2 x Each Side = 4 Total)	Fasten by Air Screwdriver
6	Bottom Cover to Base Casting (x12)	6.7-9.6 In-Lb
7	Power & Data Connector to Base Casting (x10)	6.5-8.7 In-Lb
8	1/4 Turn Adaptor Plate to Bottom Cover (x16)	6.5-8.7 In-Lb

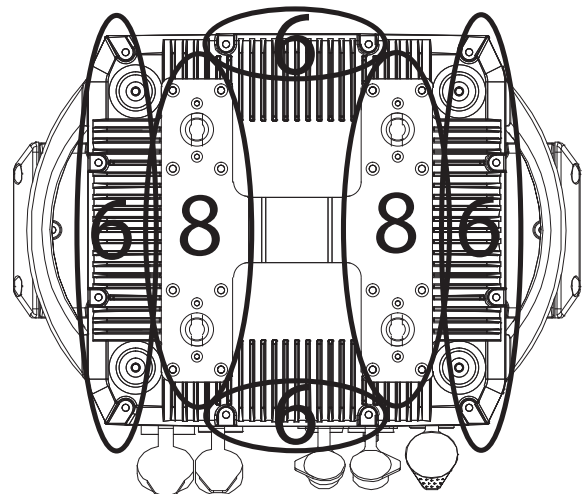
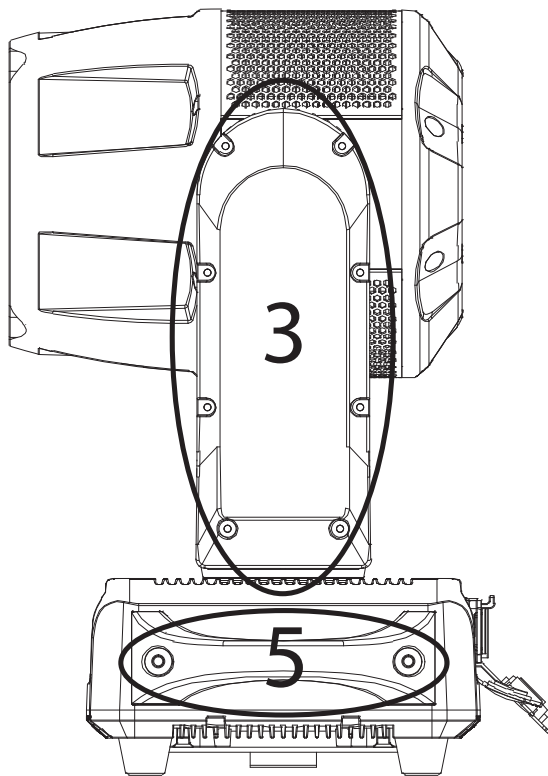
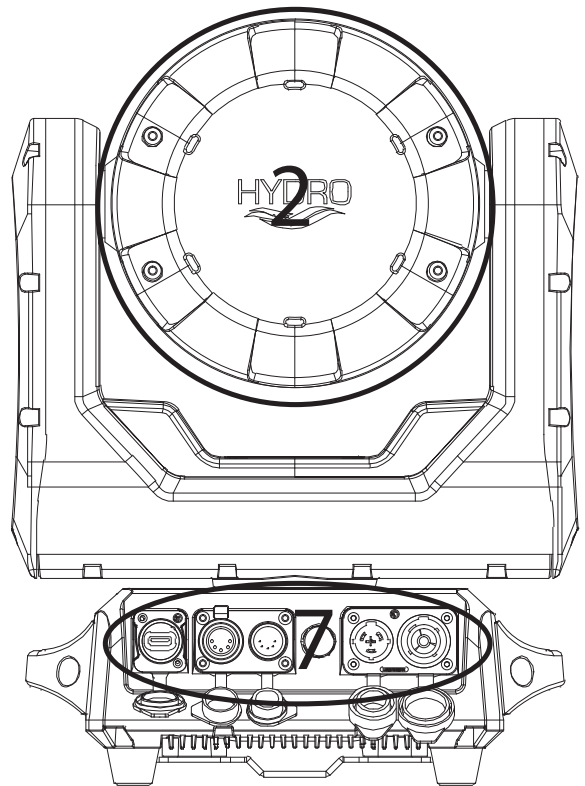
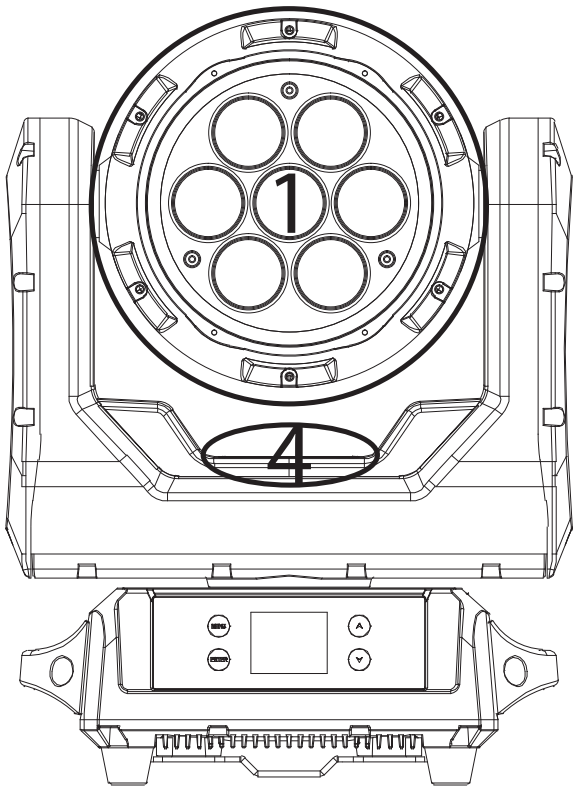
TORQUE DRIVERS (Recommended):
UTICA TS-30 (Shown)

ALTERNATIVE DRIVERS:
Proto J6107A
Wiha 28887



CAUTION! DO NOT OVER TORQUE SCREWS AS THIS CAN CAUSE LEAKAGE ISSUES! TO CONFIRM THE IP65 INTENGRITY AFTER A LAMP REPLACEMENT, TEST THE FIXTURE USING THE ELATION IP TESTER. CONTACT ELATION SERVICE FOR MORE DETAILS.





FIXTURE INSTALLATION**FLAMMABLE MATERIAL WARNING**

Keep fixture at least 1.6 feet (0.5m) away from any flammable materials, decorations, pyrotechnics, etc.

**ELECTRICAL CONNECTIONS**

A qualified electrician should be used for all electrical connections and/or installations.

**MINIMUM DISTANCE TO OBJECTS/SURFACES**

MUST BE 1.6 FEET (0.5 METERS)

**MAXIMUM TEMPERATURE OF EXTERNAL SURFACE**

167° F (75° C)

DO NOT INSTALL THE FIXTURE IF YOU ARE NOT QUALIFIED TO DO SO!

Fixture **MUST** be installed following all local, national, and country commercial electrical and construction codes and regulations. Before rigging/mounting the fixture to any metal truss/structure or placing the fixture on any surface, a professional equipment installer **MUST** be consulted to determine if the metal truss/structure or surface is properly certified to safely hold the combined weight of the fixture, clamps, cables, and accessories.

Overhead fixture installation must always be secured with a secondary safety attachment, such as an appropriately rated safety cable that meets all local, national, and country codes and regulations.

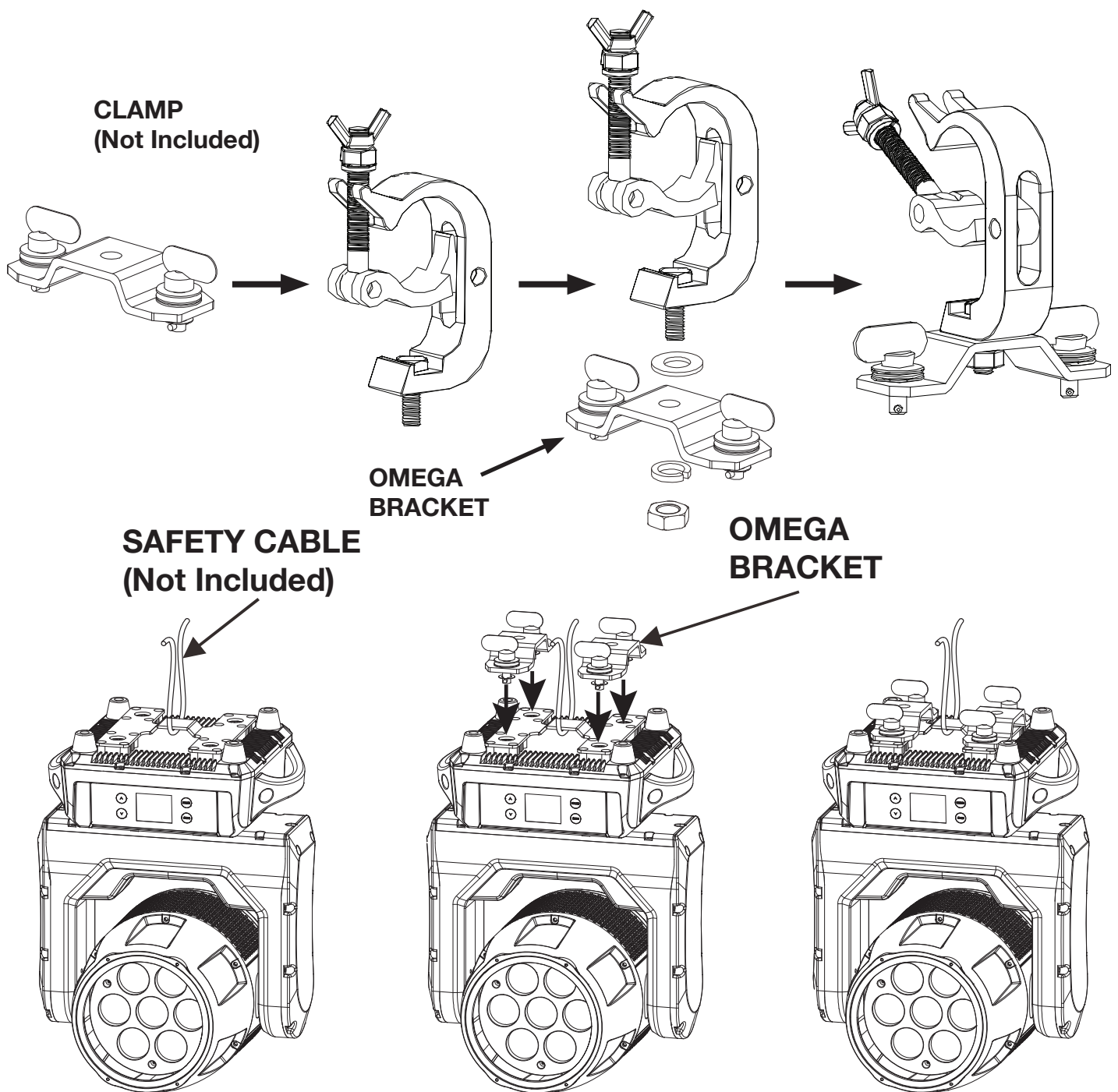
Fixture maximum ambient operating temperature is **104°F. (40°C)**.

Do not use this fixture outside this temperature range.

Fixture should be installed in areas outside walking paths, seating areas, or away from areas where unauthorized personnel might reach the fixture by hand.

NEVER stand directly below the fixture when rigging, removing, or servicing.

Allow approximately 15 minutes for the fixture to cool down before serving.

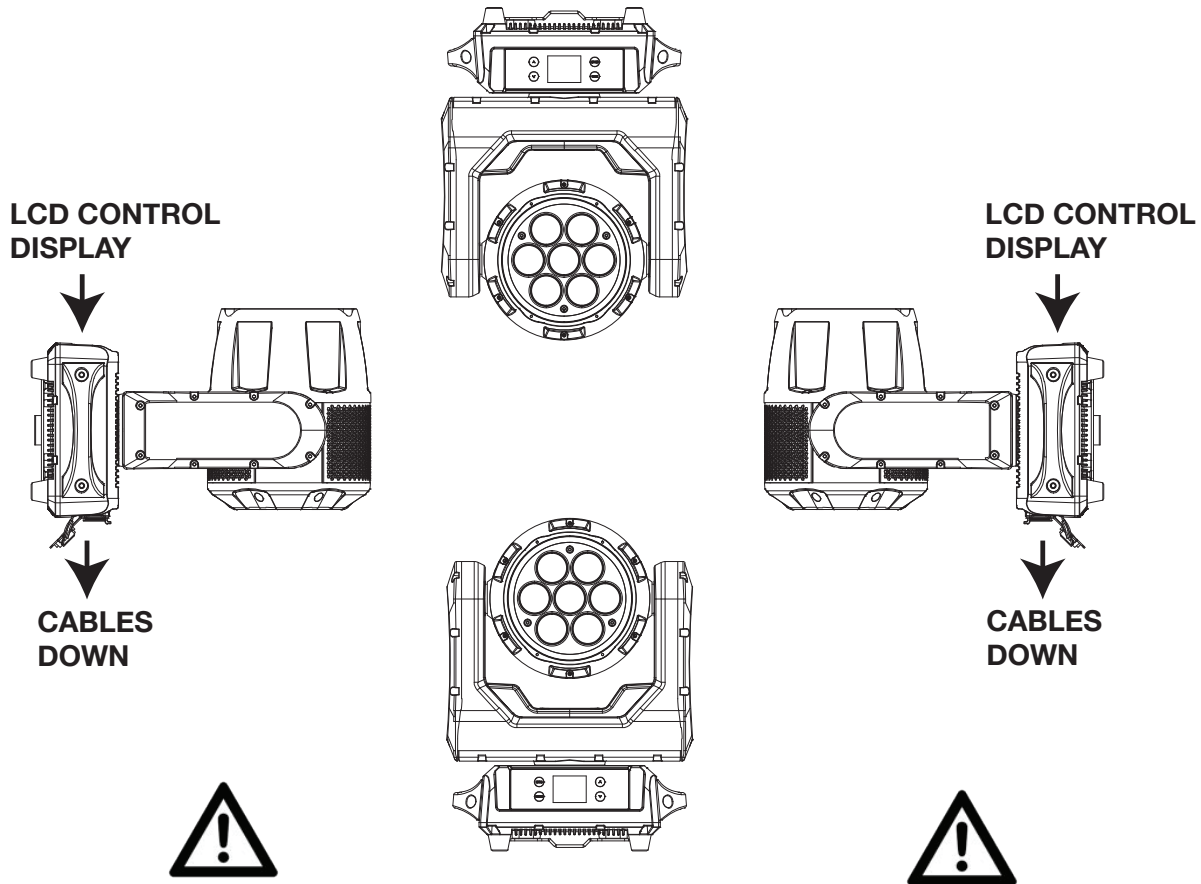


Screw one clamp via a M12 screw and nut into the Omega Bracket. Insert the quick-lock fasteners of the Omega Bracket into the respective holes of the fixture base plate. **NOTE: The clamp must be attached to the Omega Bracket before attaching the bracket to the fixture.** Tighten the quick-lock fasteners fully clockwise. Pull the safety-cable through the opening located on the bottom of the unit and over the trussing system or a safe fixation spot. Insert the end in the carabine and tighten the safety screw.

When installing the unit, the trussing or area of installation must be able to hold 10 times the weight without any deformation. When installing the unit must be secured with a secondary safety attachment, e.g. and appropriate safety cable. Never stand directly below the unit when mounting, removing, or servicing the unit.

Overhead mounting requires extensive experience, including calculating working load limits, installation material being used, and periodic safety inspection of all installation material and unit. If you lack these qualifications, do not attempt the installation yourself.

These installation should be checked by a skilled person once a year.



* SIDE MOUNTING

TO MAINTAIN IP65 RATING INTEGRITY, FIXTURE MUST BE INSTALLED WITH CABLES FACING THE GROUND AT ALL TIMES. WATER MUST EASILY RUN OFF AND NOT COLLECT AROUND CABLE CONNECTIONS.

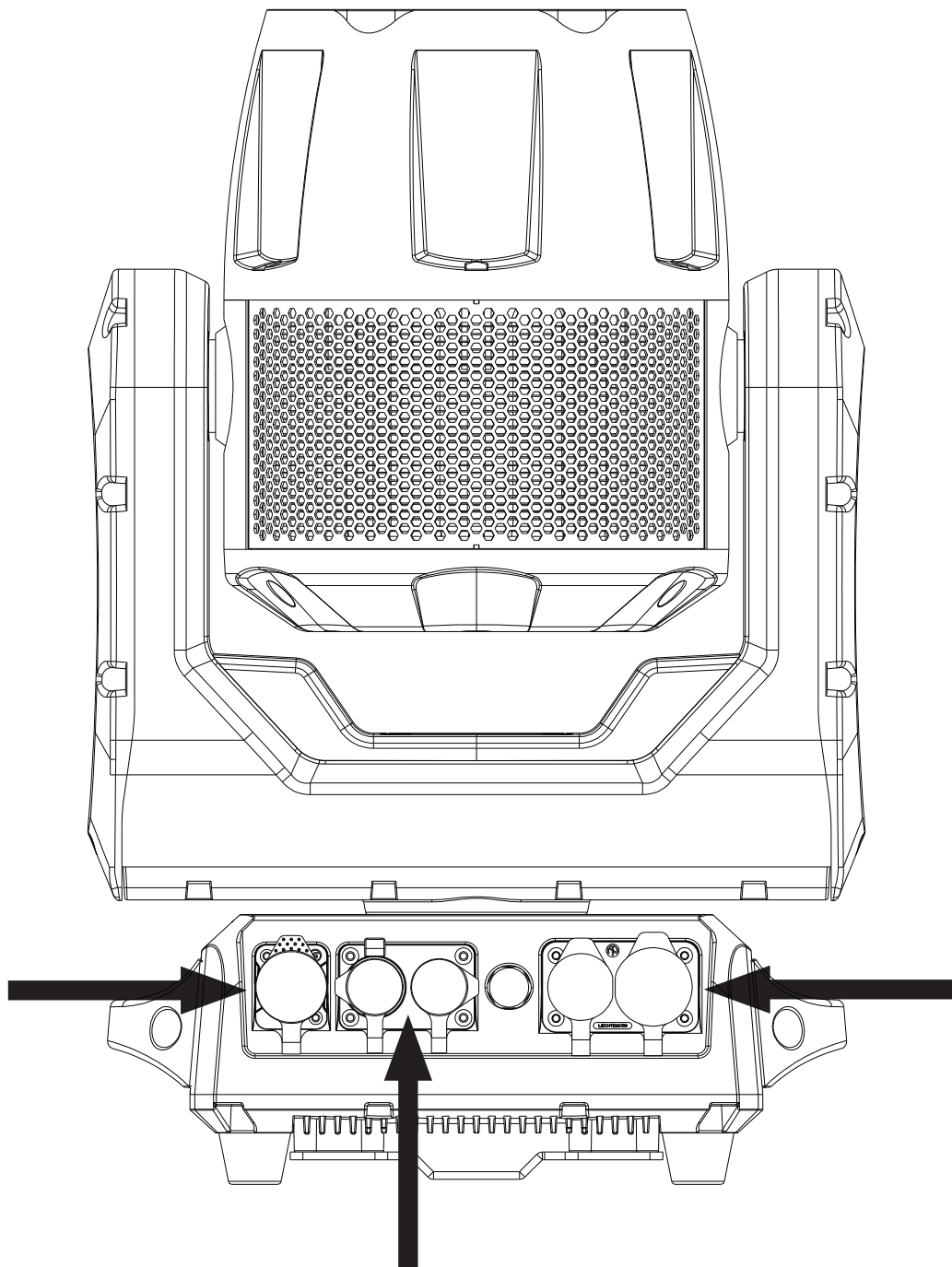
* SAFETY CABLE

ALWAYS ATTACH A SAFETY CABLE WHENEVER INSTALLING THIS FIXTURE IN A SUSPENDED ENVIRONMENT TO ENSURE THE FIXTURE WILL NOT DROP IF THE CLAMP FAILS.

The Hydro Wash X7 is fully operational in three different mounting positions, hanging upside-down, mounted sideways on trussing, or set on a flat level surface. Always use and install a safety cable as a safety measure to prevent accidental damage and/or injury in the event the clamp fails. Never use the carrying handles for secondary attachment.

ENSURE ALL CONNECTIONS AND END CAPS ARE PROPERLY SEALED WITH A DIELECTRIC GREASE (AVAILABLE AT MOST ELECTRICAL SUPPLIERS) TO PREVENT WATER CORROSION AND/OR ELECTRICAL SHORT CIRCUIT.

TO MAINTAIN IP65 RATING INTEGRITY AND PREVENT WATER FROM ENTERING THE FIXTURE, ALL UNUSED CONNECTION RUBBER CAPS MUST BE SEALED.



DMX-512: DMX is short for Digital Multiplex. This is a universal protocol used as a form of communication between intelligent fixtures and controllers. A DMX controller sends DMX data instructions from the controller to the fixture. DMX data is sent as serial data that travels from fixture to fixture via the DATA “IN” and DATA “OUT” XLR terminals located on all DMX fixtures (most controllers only have a DATA “OUT” terminal).

DMX Linking: DMX is a language allowing all makes and models of different manufactures to be linked together and operate from a single controller, as long as all fixtures and the controller are DMX compliant. To ensure proper DMX data transmission, when using several DMX fixtures try to use the shortest cable path possible. The order in which fixtures are connected in a DMX line does not influence the DMX addressing. For example; a fixture assigned a DMX address of 1 may be placed anywhere in a DMX line, at the beginning, at the end, or anywhere in the middle. When a fixture is assigned a DMX address of 1, the DMX controller knows to send DATA assigned to address 1 to that unit, no matter where it is located in the DMX chain.

Data Cable (DMX Cable) Requirements (For DMX Operation): The Hydro Wash X7 can be controlled via DMX-512 protocol. Your unit and your DMX controller requires a 5-pin XLR connector for data input and data output. We recommend Accu-Cable DMX cables. If you are making your own cables, be sure to use standard 110-120 Ohm shielded cable (This cable may be purchased at almost all pro lighting stores). Your cables should be made with a male and female XLR connector on either end of the cable. Also remember that DMX cable must be daisy chained and cannot be split.

Special Note: Line Termination. When longer runs of cable are used, you may need to use a terminator on the last unit to avoid erratic behavior. A terminator is a 110-120 ohm 1/4 watt resistor which is connected between pins 2 and 3 of a male XLR connector (DATA + and DATA -). This unit is inserted in the female XLR connector of the last unit in your daisy chain to terminate the line. Using a cable terminator (ADJ part number Z-DMX/T) will decrease the possibilities of erratic behavior.

TO MAINTAIN IP65 RATING INTEGRITY AND PREVENT WATER FROM ENTERING THE FIXTURE, ALL UNUSED CONNECTION RUBBER CAPS MUST BE SEALED AND ONLY IP65 RATED POWER AND DATA CABLES MUST BE USED.

DMX ADDRESSING

All fixtures should be given a DMX starting address when using a DMX controller, so the correct fixture responds to the correct control signal. This digital starting address is the channel number from which the fixture starts to “listen” to the digital control signal sent out from the DMX controller. The assignment of this starting DMX address is achieved by setting the correct DMX address on the digital control display on the fixture.

You can set the same starting address for all fixtures or a group of fixtures, or set different addresses for each individual fixture. Setting all fixtures to the same DMX address will cause all fixtures to react in the same way, in other words, changing the settings of one channel will affect all the fixtures simultaneously.

If you set each fixture to a different DMX address, each unit will start to “listen” to the channel number you have set, based on the quantity of DMX channels of each fixture. That means changing the settings of one channel will only affect the selected fixture.

In the case of the Hydro Wash X7, when in 15 Channel you should set the starting DMX address of the first unit to 1, the second unit to 16 (15 + 1), the third unit to 31 (16 + 15), and so on. (See the chart below for more details.)

Channel Mode	Unit 1 Address	Unit 2 Address	Unit 3 Address	Unit 4 Address
15 Channels	1	16	31	46
17 Channels	1	18	35	52
41 Channels	1	42	83	124

ADJ HYDRO WASH X7 DMX Channel Values & Functions Supports Software Version \geq 1.0 Features subject to change without notice *Rotation direction (Clockwise/Counter-Clockwise) and control of effects depends on head orientation and Pan/Tilt settings*				
15 Channels	17 Channels	41 Channels	Values	Functions
1	1	1	000-255	PAN MOVEMENT 8-BIT Pan Movement
	2	2	000-255	PAN FINE 16-BIT Fine Control of Pan Movement
2	3	3	000-255	TILT MOVEMENT 8-BIT Tilt Movement
	4	4	000-255	TILT FINE 16-BIT Fine Control of Tilt Movement
3	5	5		COLORS
			000-002	OPEN
			003-004	COLOR 1
			005-006	COLOR 2
			007-008	COLOR 3
			009-010	COLOR 4
			011-012	COLOR 5
			013-014	COLOR 6
			015-016	COLOR 7
			017-018	COLOR 8
			019-021	COLOR 9
			022-023	COLOR 10
			024-025	COLOR 11
			026-027	COLOR 12
			028-029	COLOR 13
			030-031	COLOR 14
			032-033	COLOR 15
			034-035	COLOR 16
			036-037	COLOR 17
			038-039	COLOR 18
040-042	COLOR 19			
043-044	COLOR 20			
045-046	COLOR 21			
047-048	COLOR 22			
049-050	COLOR 23			
051-052	COLOR 24			
053-054	COLOR 25			
055-056	COLOR 26			
057-058	COLOR 27			
059-060	COLOR 28			
061-063	COLOR 29			
064-127	COLOR INDEXING			
128-189	CLOCKWISE ROTATION FAST-SLOW			
190-193	STOP			
194-255	CLOCKWISE ROTATION SLOW-FAST			
4	6	6	000-255	64 COLOR MACROS Please see Color Macro Chart on pages 22-23
5	7		000-255	RED 0%-100%
6	8		000-255	GREEN 0%-100%
7	9		000-255	BLUE 0%-100%
8	10		000-255	WHITE 0%-100%

15 Channels	17 Channels	41 Channels	Values	Functions
		7	000-255	RED (1) 0%-100%
		8	000-255	GREEN (1) 0%-100%
		9	000-255	BLUE (1) 0%-100%
		10	000-255	WHITE (1) 0%-100%
		11	000-255	RED (2) 0%-100%
		12	000-255	GREEN (2) 0%-100%
		13	000-255	BLUE (2) 0%-100%
		14	000-255	WHITE (2) 0%-100%
		15	000-255	RED (3) 0%-100%
		16	000-255	GREEN (3) 0%-100%
		17	000-255	BLUE (3) 0%-100%
		18	000-255	WHITE (3) 0%-100%
		19	000-255	RED (4) 0%-100%
		20	000-255	GREEN (4) 0%-100%
		21	000-255	BLUE (4) 0%-100%
		22	000-255	WHITE (4) 0%-100%
		23	000-255	RED (5) 0%-100%
		24	000-255	GREEN (5) 0%-100%
		25	000-255	BLUE (5) 0%-100%
		26	000-255	WHITE (5) 0%-100%
		27	000-255	RED (6) 0%-100%
		28	000-255	GREEN (6) 0%-100%
		29	000-255	BLUE (6) 0%-100%
		30	000-255	WHITE (6) 0%-100%
		31	000-255	RED (7) 0%-100%
		32	000-255	GREEN (7) 0%-100%
		33	000-255	BLUE (7) 0%-100%
		34	000-255	WHITE (7) 0%-100%
9	11	35		SHUTTER & STROBE
			000-031	SHUTTER CLOSED
			032-063	SHUTTER OPEN
			064-095	STROBE EFFECT SLOW-FAST
			096-127	SHUTTER OPEN
			128-159	PULSE EFFECT IN SEQUENCES
			160-191	SHUTTER OPEN
			192-223	RANDOM STROBING SLOW-FAST
224-255	SHUTTER OPEN			
10	12	36	000-255	DIMMER 0%-100%
11	13	37	000-255	DIMMER FINE 0%-100%
12	14	38	000-255	ZOOM 0%-100%

15 Channels	17 Channels	41 Channels	Values	Functions
13	15	39		DIMMER MODES:
			000-020	STANDARD
			021-040	STAGE
			041-060	TV
			061-080	ARCHITECTURAL
			081-100	THEATRE
			101-120	STAGE 2
				DIMMER DELAY TIME
			121	0.1Sec.
			122	0.2Sec.
			123	0.3Sec.
			124	0.4Sec.
			125	0.5Sec.
			126	0.6Sec.
			127	0.7Sec.
			128	0.8Sec.
			129	0.9Sec.
			130	1.0Sec.
			131	1.5Sec.
			132	2.0Sec.
			133	3.0Sec.
134	4.0Sec.			
135	5.0Sec.			
136	6.0Sec.			
137	7.0Sec.			
138	8.0Sec.			
139	9.0Sec.			
140	10Sec.			
141-255	DEFAULT TO UNIT SETTING			
14	16	40	000-255	PAN/TILT SPEED FAST-SLOW
15	17	41		SPECIAL FUNCTIONS
			000-010	DEFAULT LED REFRESH RATE (1200Hz)
			11	900Hz REFRESH RATE
			12	1000Hz REFRESH RATE
			13	1100Hz REFRESH RATE
			14	1300Hz REFRESH RATE
			15	1400Hz REFRESH RATE
			16	1500Hz REFRESH RATE
			17	2500Hz REFRESH RATE
			18	4000Hz REFRESH RATE
			19	5000Hz REFRESH RATE
			20	6000Hz REFRESH RATE
			21	10000Hz REFRESH RATE
			22	15000Hz REFRESH RATE
			23	DEFAULT TO UNIT SETTING
			024-079	NO FUNCTION
			080-089	ENABLE BLACKOUT W/ PAN/TILT MOVEMENT
			090-099	DISABLE BLACKOUT W/ PAN/TILT MOVEMENT
			100-139	NO FUNCTION
			140-149	PAN/TILT RESET
			150-159	ZOOM RESET
			160-199	NULL
			200-209	ALL RESET
			210-239	NULL
240-255	NO FUNCTION			

Color No.	DMX VAULE	RGBW COLOR INTENSITY			
		RED	GREEN	BLUE	WHITE
OFF	0	0	0	0	0
Color1	1-4	80	255	234	80
Color2	5-8	80	255	164	80
Color3	9-12	77	255	112	77
Color4	13-16	117	255	83	83
Color5	17-20	160	255	77	77
Color6	21-24	223	255	83	83
Color7	25-28	255	243	77	77
Color8	29-32	255	200	74	74
Color9	33-36	255	166	77	77
Color10	37-40	255	125	74	74
Color11	41-44	255	97	77	74
Color12	45-48	255	71	77	71
Color13	49-52	255	83	134	83
Color14	53-56	255	93	182	93
Color15	57-60	255	96	236	96
Color16	61-64	238	93	255	93
Color17	65-68	196	87	255	87
Color18	69-72	150	90	255	90
Color19	73-76	100	77	255	77
Color20	77-80	77	100	255	77
Color21	81-84	67	148	255	67
Color22	85-88	77	195	255	77
Color23	89-92	77	234	255	77
Color24	93-96	158	255	144	144
Color25	97-100	255	251	153	153
Color26	101-104	255	175	147	147
Color27	105-108	255	138	186	138
Color28	109-112	255	147	251	147
Color29	113-116	151	138	255	138
Color30	117-120	99	0	255	100
Color31	121-124	138	169	255	138
Color32	125-128	255	255	255	255

Color No.	DMX VAULE	RGBW COLOR INTENSITY			
		RED	GREEN	BLUE	WHITE
Color33	129-132	255	206	143	0
Color34	133-136	254	177	153	0
Color35	137-140	254	192	138	0
Color36	141-144	254	165	98	0
Color37	145-148	254	121	0	0
Color38	149-152	176	17	0	0
Color39	153-156	96	0	11	0
Color40	157-160	234	139	171	0
Color41	161-164	224	5	97	0
Color42	165-168	175	77	173	0
Color43	169-172	119	130	199	0
Color44	173-176	147	164	212	0
Color45	177-180	88	2	163	0
Color46	181-184	0	38	86	0
Color47	185-188	0	142	208	0
Color48	189-192	52	148	209	0
Color49	193-196	1	134	201	0
Color50	197-200	0	145	212	0
Color51	201-204	0	121	192	0
Color52	205-208	0	129	184	0
Color53	209-212	0	83	115	0
Color54	213-216	0	97	166	0
Color55	217-220	1	100	167	0
Color56	221-224	0	40	86	0
Color57	225-228	209	219	182	0
Color58	229-232	42	165	85	0
Color59	233-236	0	46	35	0
Color60	237-240	8	107	222	0
Color61	241-244	255	0	0	0
Color62	245-248	0	255	0	0
Color63	249-252	0	0	255	0
Color64	253-255	0	0	0	255

SYSTEM MENU

The fixture includes an easy to navigate system menu control panel display where all necessary settings and adjustments are made. (See image below) During normal operation, pressing the **MENU** button once will access the fixture's main menu. Once in the main menu, you can navigate through the different functions and access the sub-menus with the **UP** and **DOWN** buttons. When you reach a field that requires adjusting, press the **ENTER** button to access that field and use the **UP** and **DOWN** buttons to adjust the field. Pressing the **ENTER** button once more will confirm your setting. You may exit the main menu at any time without making any adjustments by pressing the **MENU** button.



MENU	SUBMENU	OPTIONS	DESCRIPTION
DMX SETTINGS	DMX Address	001-XXX	DMX Addressing
	DMX Channel Mode	15Ch / 17Ch / 41Ch	DMX Channel Mode Selection
	No DMX Status	Hold Last / Blackout / Int Programs / Manual	DMX Lost Status
PERSONALITY	Select Signal	DMX: Yes / No	Control via DMX
		WiFly: Yes / No	Control via WiFly
		WiFly and DMX Out: Yes / No	Control via WiFly and send DMX Out via DMX cable
	Status Settings	Pan Invert: On / Off	Reverse Pan Motion
		Tilt Invert: On / Off	Reverse Tilt Motion
		P./T. Feedback: On / Off	Pan/Tilt Movement Feedback
		P./T. Speed: Speed 1 / Speed 2	Pan/Tilt Movement Speed
	WiFly Settings	Hibernation: Off / 01M~99M / 15M	Sleep Setting (No Activity)
		Set WiFly Channel: 00~14	Set WiFly Wireless Channel
	Fan Settings	Enable / Disable WiFly	Activate / Deactivate WiFly
		Head: Auto / High / Silent (Low)	Head Fan Speed Setting
	Dim Modes	Base: Auto / High / Silent (Low)	Base Fan Speed Setting
		Standard/Stage/TV/Architectural/Theatre/Stage2 Dim Speed: 0.1-0.9s ~ 1-10s	Dimming Curve Modes Dimming Speed
	LED Refresh Rate	900Hz / 1000Hz / 1100Hz / 1200Hz / 1300Hz / 1400Hz / 1500Hz / 2500Hz / 4000Hz / 5000Hz / 6000Hz / 10000Hz / 15000Hz	LED Refresh Setting
	Gamma	1.0 / 2.0 / 2.2 / 2.4 / 2.6 / 2.8	Gamma Brightness
	Reset Motors	Reset All Motor: YES / NO	Reset All Motors
		Pan/Tilt Reset: YES / NO	Reset the Pan & Tilt Motors
		Zoom Reset: YES / NO	Reset the Zoom Motor
	Display	Intensity: 1~10 (Dimmest-Brightest)	Display Intensity Adjustment
		Display Invert: YES / NO	Display Inversion
		Screen Saver Delay: OFF~10M	Display Blackout Time
		Lock On/Off: ON / OFF	Display Control Lock
	Service (Pass Code = 050)	Calibration - Pass Code = 050	Calibration/Adjustments
USB Port Power: ON / OFF		USB Port Activation	
Update Software		Software Update	
Factory Restore: YES / NO - Pass Code = 011		Restore Factory Settings	

MENU	SUBMENU	OPTIONS	DESCRIPTION
MANUAL CONTROL	Mode	001 / 002	Manual Control
	MODE 1 (001)		
	Pan	000-255	
	Tilt	000-255	
	Color	000-255	
	Red 1-7	000-255	
	Green 1-7	000-255	
	Blue 1-7	000-255	
	White 1-7	000-255	
	Color Macros	000-255	
	Shutter	000-255	
	Dimmer	000-255	
	Zoom	000-255	
	Spe. Func	000-255	
	MODE 2 (002)		
	Pan	000-255	
	Tilt	000-255	
	Colors	000-255	
	All Red	000-255	
	All Green	000-255	
	All Blue	000-255	
	All White	000-255	
	Color Macros	000-255	
	Shutter	000-255	
Dimmer	000-255		
Zoom	000-255		
Spe. Func	000-255		
INTERNAL PROGRAMS	Program 0	Speed: 000~255 Fade: 000~255	Program 0 with Adjustments
	Program 1	Speed: 000~255 Fade: 000~255	Program 1 with Adjustments
	Program 2	Speed: 000~255 Fade: 000~255	Program 2 with Adjustments
	Program 3	Speed: 000~255 Fade: 000~255	Program 3 with Adjustments
	Program 4	Speed: 000~255 Fade: 000~255	Program 4 with Adjustments
Target Mode	Target Mode	Mode 0 / Mode 1 / Mode 2 / Mode 3 / Mode 4	Target Mode
Information	Fixture Life Time	Power On Time - XXXXXX Hours	Total Running Time (Not Resettable)
		P-On Time-R - XXXXXX Hours	Total Running Time (Resettable)
		P-On Time Reset - Pass Code = 050	Reset Total Running Time
	Total LED Time	LED On Time - XXXXXX Hours	Total LED On Running Time (Not Resettable)
		LED On Time-R - XXXXXX Hours	LED On Running Time (Resettable)
		LED On Time Reset - Pass Code = 050	Reset LED Running Time

MENU	SUBMENU	OPTIONS	DESCRIPTION		
Information	Fixture Temps	LED's	Current: XXX °F / XXX °C	Current LED Temperature	
			Max Resettable: XXX °F / XXX °C	Maximum Temperature ⁽¹⁾ Reached (Resettable) (See Note 1)	
			Max Not Resettable: XXX °F / XXX °C	Maximum Temperature ⁽²⁾ Reached (Not Resettable) (See Note 2)	
		Head	Current: XXX °F / XXX °C	Current Head Temperature	
			Max Resettable: XXX °F / XXX °C	Maximum Temperature ⁽¹⁾ Reached (Resettable) (See Note 1)	
			Max Not Resettable: XXX °F / XXX °C	Maximum Temperature ⁽²⁾ Reached (Not Resettable) (See Note 2)	
		Base	Current: XXX °F / XXX °C	Current Base Temperature	
			Max Resettable: XXX °F / XXX °C	Maximum Temperature ⁽¹⁾ Reached (Resettable) (See Note 1)	
			Max Not Resettable: XXX °F / XXX °C	Maximum Temperature ⁽²⁾ Reached (Not Resettable) (See Note 2)	
				Reset LED Temp: Pass Code = 050	Reset LED Temperature (Max Resettable)
				Reset Head Temp: Pass Code = 050	Reset Head Temperature (Max Resettable)
				Reset Base Temp: Pass Code = 050	Reset Head Temperature (Max Resettable)
		Humidity	Head Humidity: XXX%		Current Head Humidity
			Base Humidity: XXX%		Current Base Humidity
		Fan Info. (RPM)	LED Fan: XXXX		Current LED Fan Speed
	Base Fan: XXXX		Current Base Fan Speed		
	Arm Fan: XXXX		Current Arm Fan Speed		
	DMX Values ⁽³⁾ (See Note 3)	Pan / Pan Fine / Tilt / Tilt Fine / Color / Color Macros / Red 1-7 / Green 1-7 / Blue 1-7 / White 1-7 / Shutter / Dimmer / Dimmer Fine / Zoom / Dimmer Modes / P/T Speed / Spe. Func		Current DMX Values	
	Error Logs	Fixture Errors (Listed Errors One by One)		Last 10 Fixture Error Codes	
		Reset Error Log: Yes / No (Pass Code = 050)		Clear the Error Log	
	Max Temp LED ON	32~169°F, 99°F ⁽⁴⁾ / 0~76°C, 37°C ⁽⁴⁾ (See Note 4 below)		Fixture Temp. (LED On)	
High Temp LED OFF	170°F, 99°F ⁽⁵⁾ / 77°C, 37°C ⁽⁵⁾ (See Note 5 below)		Fixture Temp. (LED Off)		
Software Version	VX.X		Current Software Version		

(1) Current Maximum Temperature - Maximum temp. that has been recorded, before reset and after reset.

(2) Maximum Temperature - Overall maximum temp. that has been recorded. (Not Resettable)

(3) DMX Value settings depend on the DMX Channel mode the fixture is set to.

(4) Max Temp LED ON - Normal Operating Temperature

(5) Max Temp LED OFF - Normal Operating Temperature

DMX SETTINGS - The submenus listed under **DMX SETTINGS** are as follows: **DMX Address**, **DMX Channel Mode**, and **No DMX Status**.

- **DMX ADDRESS** - In this submenu you can find and set your desired DMX address.
- **DMX CHANNEL MODE** - In this submenu you can find and set your desired DMX channel mode.
- **NO DMX STATUS** - This submenu setting is used as a precaution mode in case the DMX signal is lost or interrupted. The operating mode chosen in this submenu is the running mode the fixture will go into when the DMX signal is lost. Listed below are the 3 modes.
 - **Hold Last** - This setting will have the fixture stay in the last DMX setup.
 - **Blackout** - This setting will have the fixture automatically go into stand by mode.
 - **Manual** - This setting will go into the current manual control set up. See **MANUAL CONTROL**.

PERSONALITY - The submenus listed under **PERSONALITY** are as follows: **Select Signal**, **Status Settings**, **WiFly Settings**, **Reset Motors**, **Display**, and **Service**.

- **SELECT SIGNAL** - In this submenu you can select your desired DMX control mode:
 - **DMX** - Control the unit via DMX cable connection.
 - **WiFly** - Control the unit via WiFly.
 - **WiFly and DMX Out** - Control the unit via WiFly connection. The DMX signal is sent to the next unit via DMX cable.
- **STATUS SETTINGS** - In this submenu you are able to access and adjust/change: Pan Invert, Tilt Invert, P/T. Feedback, P/T. Speed, and Hibernation.
- **WIFLY SETTINGS** - In this submenu you are able to access and adjust/change: WiFly Channel setting and Enable/Disable WiFly.
- **FAN SETTINGS** - In this submenu you are able to select your desired fan speed settings for both the head and base fans.
- **DIM MODES** - In this submenu you are able to select your desired dimmer mode and adjust the dimming speed time. See page 34 for the dimmer curve chart.
- **LED REFRESH RATE** - In this submenu you are able to select your desired LED refresh rate.
- **GAMMA** - In this submenu you are able to select your desired gamma setting.
- **RESET MOTORS** - In this submenu you are able to reset selected motors.
- **DISPLAY** - In this submenu you are able to access and adjust/change the backlight intensity, display inversion, screen saver display time, and display lock function.

- **SERVICE** - In this submenu you are able to access the calibration adjustment, USB port power on/off, software update, and restore the factory settings.

NOTE: To update the software please see page 37 for more details.

MANUAL CONTROL - This menu is for manual testing and manual control. Under **MANUAL CONTROL** the fixture has two control modes; **“MODE 1”** and **“MODE 2”**.

NOTE: NO DMX STATUS must be set to “Manual” when using Manual Control.

INTERNAL PROGRAMS - This menu allows you to select 1 of 4 (0-4 internal programs to run. Program speed and fade speed are adjustable. The selected program will also run when **“Int Program.”** is selected under the **“NO DMX STATUS”** setting.

TARGET MODE - Target mode is a restrictive pan/tilt control limiting the movement to a certain degree. See page 33 for a diagram of the Target mode movements.

INFORMATION - The submenus listed under **INFORMATION** are as follows: **Fixture Life Time, Total LED Time, Fixture Temps, Humidity, Fan Info. (RPM), DMX Values, Error Logs, Max Temp LED ON, High Temp LED OFF,** and **Software Version.**

- **FIXTURE LIFE TIME**

- **Power On Time** -The **TOTAL** power ON running time of the unit is displayed. This time **CANNOT** be reset.
- **P-On Time-R** - The **CURRENT** power ON running time of the unit is displayed. This running time may not be the same as the total power ON running time displayed under **“Power On Time”**. This time **CAN** be reset. **NOTE: The displayed time represents the current power ON time since the last reset.**
- **P-On Time Reset** - Reset the **CURRENT** power ON running time that is displayed under **“P-On Time-R”**.

- **TOTAL LED TIME**

- **LED On Time** - The **TOTAL** LED ON time is displayed. This total LED ON time **CANNOT** be reset. **NOTE: The displayed time represents the TOTAL LED ON time.**
- **LED On Time-R** - The **CURRENT** LED ON running time is displayed. This running time may not be the same as the total LED ON time displayed under **“LED On Time”**. This total LED ON time **CAN** be reset. **NOTE: The displayed time represents the CURRENT LED ON time since the last reset.**
- **LED On Time Reset** - With this function you can reset the **CURRENT** LED ON time that is displayed under **“LED On Time-R”**.

- FIXTURE TEMPS**• LED's**

Current - Current temperature of the LED's is displayed.

Max Resettable - Maximum LED temperature that has been recorded, before reset and after reset. **(Resettable)**

Max Not Resettable - Overall maximum LED temperature that has been recorded. **(Not Resettable)**

• Head

Current - Current temperature of the head is displayed.

Max Resettable - Maximum base temperature that has been recorded, before reset and after reset. **(Resettable)**

Max Not Resettable - Overall maximum moving head temperature that has been recorded. **(Not Resettable)**

• Base

Current - Current temperature of the base is displayed.

Max Resettable - Maximum base temperature that has been recorded, before reset and after reset. **(Resettable)**

Max Not Resettable - Overall maximum moving base temperature that has been recorded. **(Not Resettable)**

- **Reset LED Temp** - Reset the LED temperature reading.
- **Reset head Temp** - Reset the head temperature reading.
- **Reset Base Temp** - Reset the base temperature reading.

- HUMIDITY

- **Head Humidity** - The current humidity of the moving head is displayed.
- **Base Humidity** - The current humidity of the base is displayed.

- FAN INFO. (RPM) - In this submenu the current LED, base, and arm fan speed will be displayed.

- DMX VALUES - Displays the DMX values of any DMX channel that is currently in use. **NOTE: DMX value options depend on the current DMX channel mode setting.**

- ERROR LOGS - In this submenu you are able to check any unit errors as well as clear the error log.

- MAX TEMP LED ON - In this submenu you are able to check the normal operating temperatures as well as the current temperature of the fixture.

- HIGH TEMP LED OFF - In this submenu you are able to check the normal operating temperatures as well as the current temperature of the fixture.

- SOFTWARE VERSION - Current software version is displayed.



BEFORE SETTING THE WIRELESS CHANNEL ON ANY WIFLY FIXTURE, MAKE SURE THE SOURCE WIFLY WIRELESS DMX TRANSCEIVER DEVICE IS OFF.

With this feature you are able to control the unit with DMX without the need of XLR cables. Your DMX controller must be connected to a ADJ WiFly Transceiver to use this function. You are able to communicate up to 2500 feet/760 meters (open line of sight).

1. Ensure the source WiFly wireless DMX Transceiver device is powered OFF.
2. Power **ON** the fixture and using the control panel scroll to the **PERSONALITY** menu and press **ENTER**. Use the **UP** and **DOWN** buttons to highlight the **WIFLY SETTINGS** submenu and press **ENTER**.
3. Using the UP and DOWN buttons, highlight **ENABLE/DISABLE WIFLY**. Press the ENTER button to toggle between **ENABLE & DISABLE**. Press ENTER so that “**ENABLE**” is displayed.
4. Next highlight **SET WIFLY CHANNEL** and press **ENTER**. Use the **UP** and **DOWN** buttons to find your desired WiFly address and press **ENTER** to confirm.

NOTE: Erratic fixture movement may occur if other **WiFly** wireless DMX products are in use in the same area and are using the same **WiFly** wireless channel. When **WiFly** is enabled, the fixture may immediately start to respond to the DMX wireless signal from another **WiFly** wireless DMX Transceiver. Make sure to know what **WiFly** wireless channels are being used in the area where the fixture is being used.

ADJ WIFLY WIRELESS TRANSCEIVER only has 0-14 wireless channels, NO CH 15.

5. Set your desired DMX address in the **DMX ADDRESS** submenu of the **DMX SETTINGS** main system menu. Set your desired DMX channel mode in the **DMX CHANNEL MODE** submenu of the **DMX SETTINGS** main system menu.
6. Repeat this process for all **WiFly** compatible fixtures in the **WiFly** wireless network, making sure all fixtures are assigned the same **WiFly** wireless channel.
7. After all fixtures in the **WiFly** wireless network have been set to the same **WiFly** wireless channel and powered ON, power ON the source **WiFly** DMX Transceiver device.
8. Test all fixtures connected to the WiFly wireless network to confirm proper functionality.

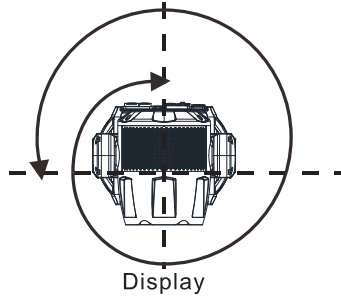
WIRELESS WIFLY INSTALLATION LOCATION GUIDELINES

Wireless DMX signal can penetrate walls, glass, metal, and most objects. However, there are many factors that can affect and/or interrupt the wireless DMX signal, one of which is people. Therefore, it is highly recommended to position the wireless antenna a minimum of 9.8 ft. (3m) above audiences and/or above ground level. Careful planning and testing of the selected installation location is critical to ensure optimum and reliable wireless DMX operation.

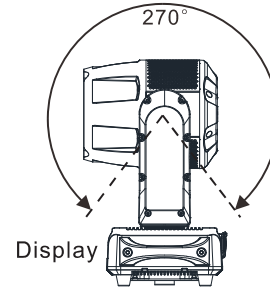
**9.8 ft (3m)
Above Ground**



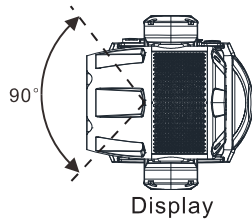
Mode 0: Pan Movement Range: 540°



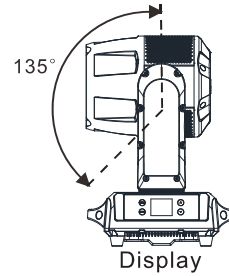
Tilt Movement Range: 270°



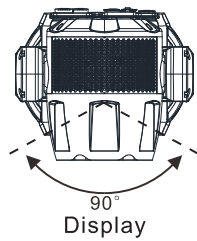
Mode 1: Pan Movement Range: 90°



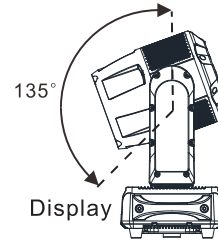
Tilt Movement Range: 135°



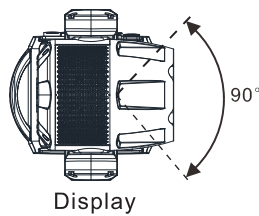
Mode 2: Pan Movement Range: 90°



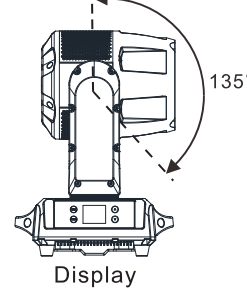
Tilt Movement Range: 135°



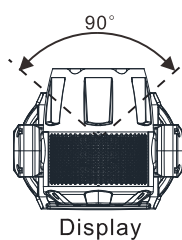
Mode 3: Pan Movement Range: 90°



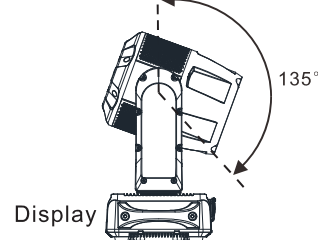
Tilt Movement Range: 135°

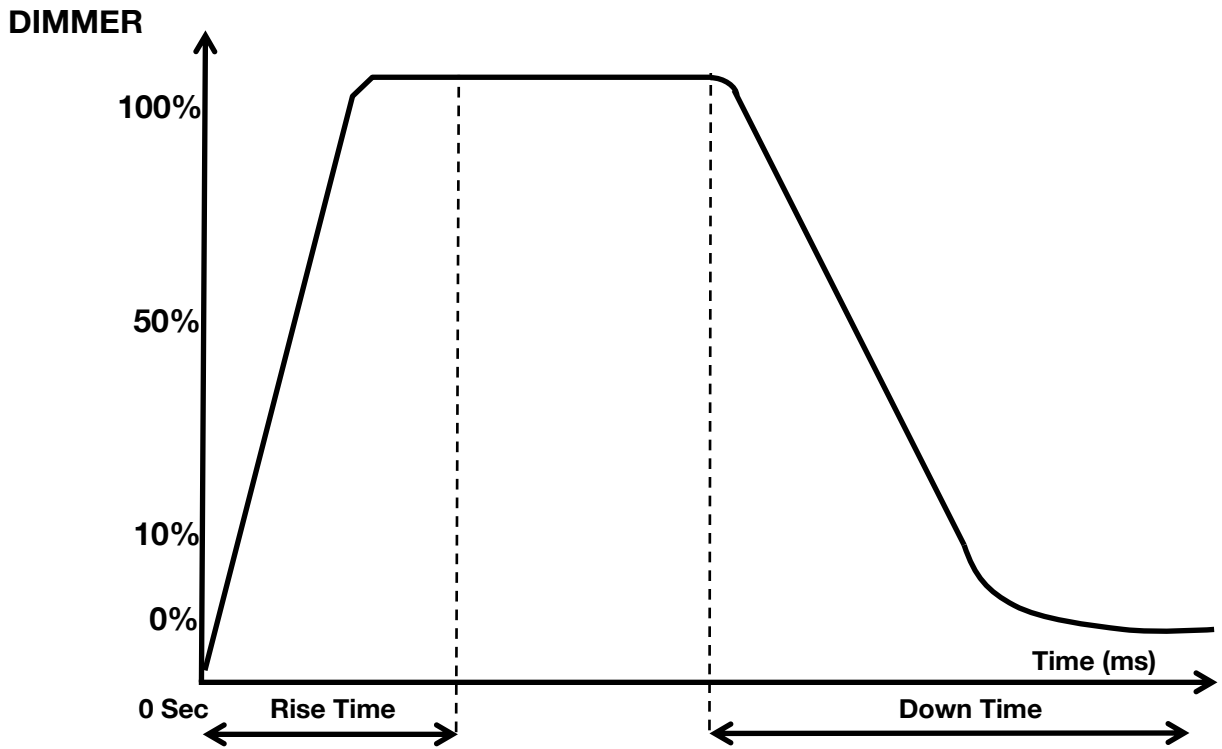


Mode 4: Pan Movement Range: 90°



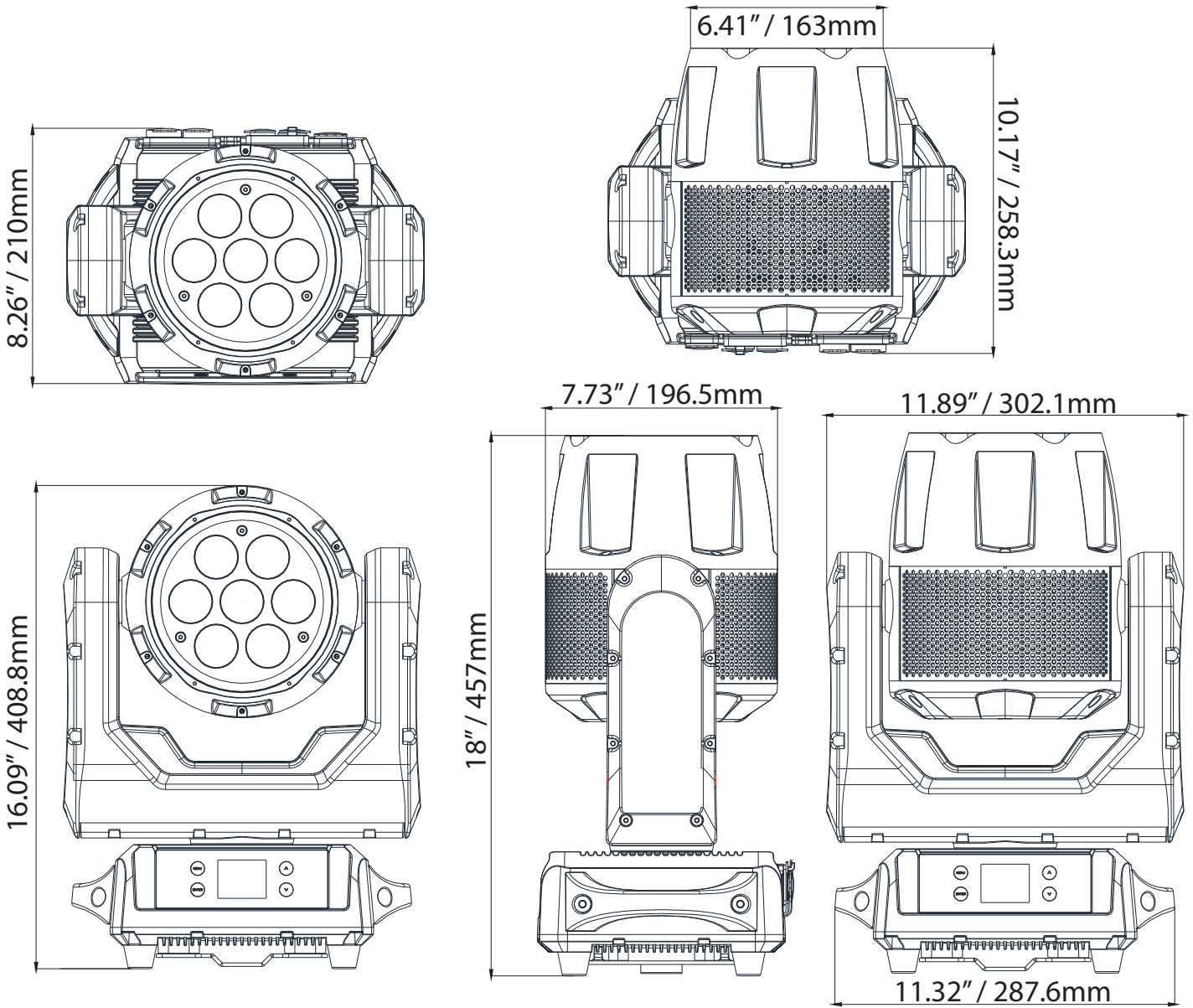
Tilt Movement Range: 135°





Dimming Curve Ramp Effect	0 sec Fade Time		1 sec Fade Time	
	Rise Time (ms)	Down Time (ms)	Rise Time (ms)	Down Time (ms)
Standard (default)	0	0	0	0
Stage	780	1100	1540	1660
TV	1180	1520	1860	1940
Architectural	1380	1730	2040	2120
Theatre	1580	1940	2230	2280
Stage 2	0	1100	0	1660

	PRINT ERROR MESSAGE	DESCRIPTION
1	CPU-B Error	CPU-B Error
2	CPU-C Error	CPU-C Error
3	CPU-D Error	CPU-D Error
4	Pan Reset Error	Pan: Reset Error
5	Pan Encode Error	Pan: Encode Error
6	Tilt Reset Error	Tilt: Reset Error
7	Tilt Encode Error	Tilt: Encode Error
8	Zoom Reset Error	Zoom: Reset Error
9	HeadFan Start Error	HeadFan can't start
10	HeadFan Stop Error	HeadFan can't stop
11	HeadFan speed too fast	HeadFan speed too fast
12	HeadFan speed too slow	HeadFan speed too slow
13	BaseFan Start Error	BaseFan can't start
14	BaseFan Stop Error	BaseFan can't stop
15	BaseFan speed too fast	BaseFan speed too fast
16	BaseFan speed too slow	BaseFan speed too slow
17	ArmFan Start Error	ArmFan can't start
18	ArmFan Stop Error	ArmFan can't stop
19	Led Temp: Too High	Led Temp: Too High
20	Led Temp Error	Led Temp Error





**ONLY QUALIFIED TECHNICIANS SHOULD PERFORM THIS FUNCTION!
NOTE ALL MENU SETTINGS BEFORE UPDATING SOFTWARE!
FIXTURE SOFTWARE CAN NOT BE DOWNGRADED!
DOWNLOAD FIXTURE SOFTWARE TO PC ONLY! (NO MAC SUPPORT)
PLEASE CONTACT ADJ CUSTOMER SERVICE FOR FURTHER INFORMATION.**

1. Contact ADJ Customer Service to obtain the software update files.
2. Copy the software files to a compatible USB flash drive.
NOTE: MAKE SURE THESE SOFTWARE FILES ARE THE ONLY FILES LOADED ONTO THE USB FLASH DRIVE.
3. Disconnect DMX and WiFly connections and power the fixture ON.
4. Insert the USB flash drive into the **SERVICE PORT** located on the rear panel of the unit.
5. Locate "**PERSONALITY**" within the system menu and press **ENTER**. Scroll to the "**SERVICE**" submenu and press **ENTER**. Enter the passcode "**50**" to gain access.
6. Scroll to the "**USB PORT POWER**" setting and activate the USB service port by selecting **ON**.
NOTE: The USB port is OFF by default.
7. After activating the USB port, scroll to "**UPDATE SOFTWARE**" and press **ENTER**.
8. Two (2) software files will be displayed as downloaded earlier. Highlight the first file and press **ENTER**. Select **YES** to begin the first of two updating processes. Once **YES** is selected the display will show "**Updating, Please wait...**". A percentage bar will also be displayed.
9. After the first update is complete, the fixture will run a software check (this can take some time).
10. After the software check is complete, the fixture will perform a reset.
11. Once the reset is complete, scroll to the "**PERSONALITY**" menu again and press **ENTER**. Scroll to the "**SERVICE**" submenu and press **ENTER**. Enter the passcode "50" to gain access.
12. Reactivate the USB port power if necessary. **(See step 6)**
13. Scroll to "**UPDATE SOFTWARE**" setting again and press **ENTER**.
14. Highlight the second file this time and press **ENTER**. Select **YES** to begin the second and final updating process. Once **YES** is selected the display will show "**Updating, Please wait...**". A percentage bar will also be displayed.
15. After the second update is complete, the fixture will run a software check again.
16. After the software check is complete, the fixture will perform another reset.
17. Remove the USB flash drive.
18. After the reset process is complete check the new software version to confirm it is updated to the most recent software.

With this feature you can connect the fixtures to one another using the power cable input and output sockets.

NOTE: USE CAUTION WHEN POWER LINKING OTHER FIXTURES AS THE POWER CONSUMPTION OF OTHER MODEL FIXTURES MAY EXCEED THE MAX POWER OUTPUT ON THIS FIXTURE! CHECK SILK SCREEN FOR MAX AMPS.

Due to fog residue, smoke, and dust cleaning the internal and external optical lenses must be carried out periodically to optimize light output.

1. Use normal glass cleaner and a soft cloth to wipe down the outside casing.
2. Clean the external optics with glass cleaner and a soft cloth every 20 days.
3. Always be sure to dry all parts completely before plugging the unit back in.

Cleaning frequency depends on the environment in which the fixture operates (i.e. smoke, fog residue, dust, dew).

MANUFACTURER'S LIMITED WARRANTY

- A. ADJ Products, LLC hereby warrants, to the original purchaser, ADJ Products, LLC products to be free of manufacturing defects in material and workmanship for a prescribed period from the date of purchase (see specific warranty period on reverse). This warranty shall be valid only if the product is purchased within the United States of America, including possessions and territories. It is the owner's responsibility to establish the date and place of purchase by acceptable evidence, at the time service is sought.
- B. For warranty service you must obtain a Return Authorization number (RA#) before sending back the product—please contact ADJ Products, LLC Service Department at 800-322-6337. Send the product only to the ADJ Products, LLC factory. All shipping charges must be pre-paid. If the requested repairs or service (including parts replacement) are within the terms of this warranty, ADJ Products, LLC will pay return shipping charges only to a designated point within the United States. If the entire instrument is sent, it must be shipped in its original package. No accessories should be shipped with the product. If any accessories are shipped with the product, ADJ Products, LLC shall have no liability whatsoever for loss of or damage to any such accessories, nor for the safe return thereof.
- C. This warranty is void if the serial number has been altered or removed; if the product is modified in any manner which ADJ Products, LLC concludes, after inspection, affects the reliability of the product; if the product has been repaired or serviced by anyone other than the ADJ Products, LLC factory unless prior written authorization was issued to purchaser by ADJ Products, LLC; if the product is damaged because not properly maintained as set forth in the instruction manual.
- D. This is not a service contract, and this warranty does not include maintenance, cleaning or periodic check up. During the period specified above, ADJ Products, LLC will replace defective parts at its expense with new or refurbished parts, and will absorb all expenses for warranty service and repair labor by reason of defects in material or workmanship. The sole responsibility of ADJ Products, LLC under this warranty shall be limited to the repair of the product, or replacement thereof, including parts, at the sole discretion of ADJ Products, LLC. All products covered by this warranty were manufactured after August 15, 2012, and bear indentifying marks to that effect.
- E. ADJ Products, LLC reserves the right to make changes in design and/or improvements upon its products without any obligation to include these changes in any products theretofore manufactured.

No warranty, whether expressed or implied, is given or made with respect to any accessory supplied with products described above. Except to the extent prohibited by applicable law, all implied warranties made by ADJ Products, LLC in connection with this product, including warranties of merchantability or fitness, are limited in duration to the warranty period set forth above. And no warranties, whether expressed or implied, including warranties of merchantability or fitness, shall apply to this product after said period has expired. The consumer's and/or Dealer's sole remedy shall be such repair or replacement as is expressly provided above; and under no circumstances shall ADJ Products, LLC be liable for any loss or damage, direct or consequential, arising out of the use of, or inability to use, this product.

This warranty is the only written warranty applicable to ADJ Products, LLC Products and supersedes all prior warranties and written descriptions of warranty terms and conditions heretofore published.

MANUFACTURER'S LIMITED WARRANTY PERIODS:

- **Non L.E.D. Lighting Products = 1-year (365 days) Limited Warranty** (Such as: Special Effect Lighting, Intelligent Lighting, UV lighting, Strobes, Fog Machines, Bubble Machines, Mirror Balls, Par Cans, Trussing, Lighting Stands etc. excluding LED and lamps)
- **Laser Products = 1 Year (365 Days) Limited Warranty** (excluding laser diodes which have a 6 month limited warranty)
- **L.E.D. Products = 2-year (730 days) Limited Warranty** (excluding batteries which have a 180 day limited warranty).
Note: 2 Year Warranty only applies to purchases within the United States.
- **StarTec Series = 1 Year Limited Warranty** (excluding batteries which have a 180 day limited warranty).
- **ADJ DMX Controllers = 2 Year (730 Days) Limited Warranty**

Voltage:	100V ~ 240V/50~60Hz
IP Rating:	IP65
LEDs:	7 x Osram 40W RGBW (4-in-1) LEDs
Power Draw:	370W
Weight:	35 lbs./ 16 kgs.
Dimensions:	11.89" (L) x 10.17" (W) x 18" (H) 302 x 258.3 x 457mm
DMX Channels:	3 DMX Modes: 15 / 17 / 41
Warranty:	2 Year (730 days)

Please Note: Specifications and improvements in the design of this unit and this manual are subject to change.