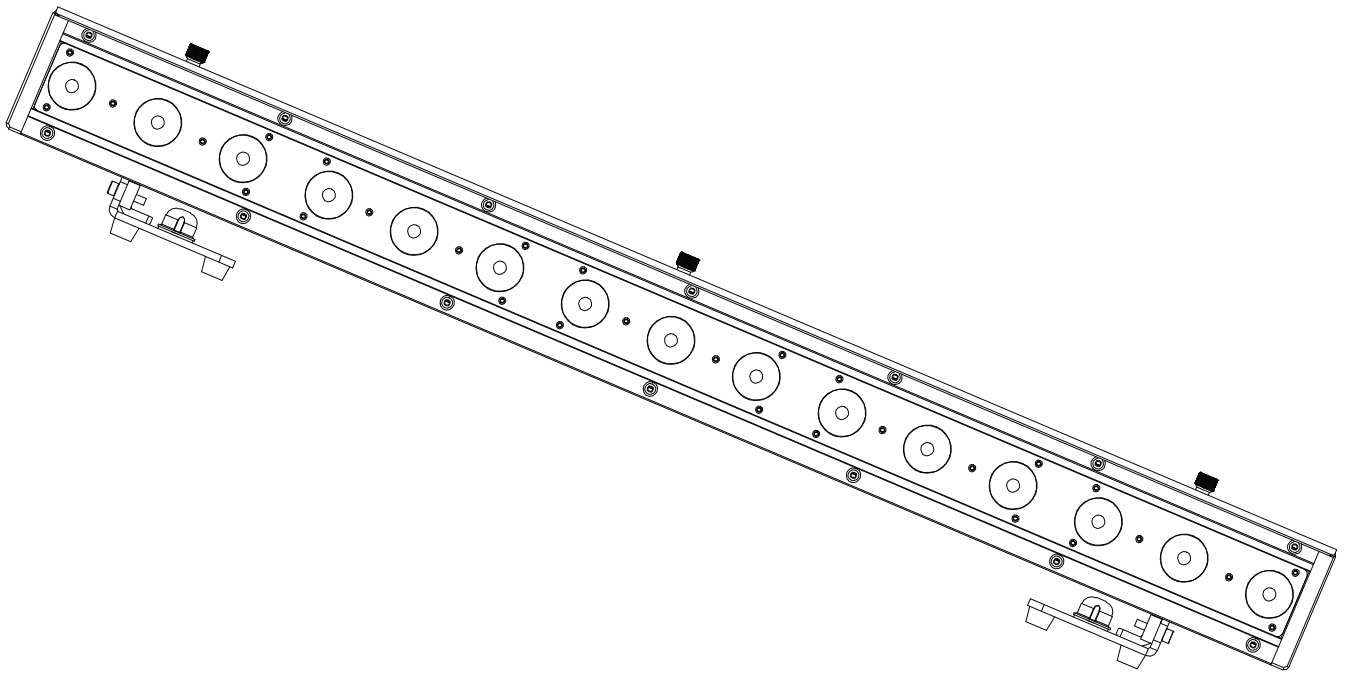




15 HEX BAR IP



User Instructions

©2019 ADJ Products, LLC all rights reserved. Information, specifications, diagrams, images, and instructions herein are subject to change without notice. ADJ Products, LLC logo and identifying product names and numbers herein are trademarks of ADJ Products, LLC. Copyright protection claimed includes all forms and matters of copyrightable materials and information now allowed by statutory or judicial law or hereinafter granted. Product names used in this document may be trademarks or registered trademarks of their respective companies and are hereby acknowledged. All non-ADJ Products, LLC brands and product names are trademarks or registered trademarks of their respective companies.

ADJ Products, LLC and all affiliated companies hereby disclaim any and all liabilities for property, equipment, building, and electrical damages, injuries to any persons, and direct or indirect economic loss associated with the use or reliance of any information contained within this document, and/or as a result of the improper, unsafe, insufficient and negligent assembly, installation, rigging, and operation of this product.

FCC STATEMENT

This device complies with Part 15 of the FCC Rules. Operation is subject to the following two conditions: (1) this device may not cause harmful interference, and (2) this device must accept any interference received, including interference that may cause undesired operation.

FCC RADIO FREQUENCY INTERFERENCE WARNINGS & INSTRUCTIONS

This product has been tested and found to comply with the limits as per Part 15 of the FCC Rules. These limits are designed to provide reasonable protection against harmful interference in a residential installation. This device uses and can radiate radio frequency energy and, if not installed and used in accordance with the included instructions, may cause harmful interference to radio communications. However, there is no guarantee that interference will not occur in a particular installation. If this device does cause harmful interference to radio or television reception, which can be determined by turning the device off and on, the user is encouraged to try to correct the interference by one or more of the following methods:

- Reorient or relocate the device.
- Increase the separation between the device and the receiver.
- Connect the device to an electrical outlet on a circuit different from which the radio receiver is connected.
- Consult the dealer or an experienced radio/TV technician for help.

DOCUMENT VERSION

Due to additional product features and/or enhancements, an updated version of this document may be available online.

Please check www.adj.com for the latest revision/update of this manual before beginning installation and/or programming.

Date	Document Version	Software Version \geq	DMX Channel Modes	Notes
06/10/19	1	1.02	6/9/12/14/17/ 30/33/38/41/60	Initial Version

Europe Energy Saving Notice

Energy Saving Matters (EuP 2009/125/EC)

Saving electric energy is a key to help protecting the environment. Please turn off all electrical products when they are not in use. To avoid power consumption in idle mode, disconnect all electrical equipment from power when not in use. Thank you!

Introduction	3
Features Warranty Registration Installation	4
Safety Precautions	5
IP65 Notice	7
Overview Installation	8
Manual Tilt Adjustment Connections	10
DMX Set Up	11
DMX Addressing	12
DMX Modes & Values	13
Color Macro Chart	17
System Menu	18
Master-Slave Set Up	22
Pixel Zones	23
Dimmer Curve Chart	24
Glare Shield Installation Filter Installation	25
Dimensional Drawings	26
Power Linking Trouble Shooting Cleaning	27
Limited Warranty (USA Only)	28
Specifications	29

Unpacking: Thank you for purchasing the 15 Hex Bar IP by ADJ Products, LLC. Every unit has been thoroughly tested and has been shipped in perfect operating condition. Carefully check the shipping carton for damage that may have occurred during shipping. If the carton appears to be damaged, carefully inspect your fixture for any damage and be sure all accessories necessary to operate the unit has arrived intact. In the case damage has been found or parts are missing, please contact our toll free customer support number for further instructions. Do not return this unit to your dealer without first contacting customer support.

Introduction: The 15 Hex Bar IP is a DMX intelligent, IP rated LED wash fixture. This fixture can be used in a stand alone mode or connected in a Master/Slave configuration. The 15 Hex Bar IP has 10 DMX channel modes; 6 / 9 / 12 / 14 / 17 / 30 / 33 / 38 / 41 / 60.

This product is intended to be used by professionally trained personnel only and is not suitable for private use.

Customer Support: Contact ADJ Service for any product related service and support needs. Also visit forums.adj.com with questions, comments or suggestions.

Parts: To purchase parts online visit <http://parts.americandj.com>

ADJ SERVICE USA - Monday - Friday 8:00am to 4:30pm PST

Voice: 800-322-6337 | Fax: 323-832-2941 | support@adj.com

ADJ SERVICE EUROPE - Monday - Friday 08:30 to 17:00 CET

Voice: +31 45 546 85 60 | Fax: +31 45 546 85 96 | support@adj.eu

ADJ PRODUCTS LLC USA

6122 S. Eastern Ave. Los Angeles, CA. 90040

323-582-2650 | Fax 323-532-2941 | www.adj.com | info@adj.com

ADJ SUPPLY Europe B.V

Junostraat 2 6468 EW Kerkrade, The Netherlands

+31 (0)45 546 85 00 | Fax +31 45 546 85 99

www.adj.eu | info@americandj.eu

ADJ PRODUCTS GROUP Mexico

AV Santa Ana 30 Parque Industrial Lerma, Lerma, Mexico 52000

+52 (728) 282-7070

Caution! There are no user serviceable parts inside this unit. Do not attempt any repairs yourself, doing so will void your manufactures warranty. In the unlikely event your unit may require service please contact ADJ Products, LLC.

PLEASE recycle the shipping carton when ever possible.

15 Hex Bar IP

Features

- Multi-Colors
- Five Operating Modes
- Electronic Dimming 0-100%
- DMX-512 protocol
- 5-Pin DMX Connections
- 10 DMX Channel Modes: 6 / 9 / 12 / 14 / 17 / 30 / 33 / 38 / 41 / 60
- Multiple Unit Power Linking (See page 27)

Included:

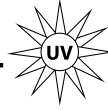
- 1 x Seetronic IP65 Rated Power Cable
- 1 x Removable Frost/Diffuser Filter
- 1 x Removable Glare Shield
- 2 x Omega Brackets

15 Hex Bar IP

Warranty Registration

The 15 Hex Bar IP carries a 2 year limited warranty. Please fill out the enclosed warranty card to validate your purchase. All returned service items whether under warranty or not, must be freight pre-paid and accompany a return authorization (R.A.) number. The R.A. number must be clearly written on the outside of the return package. A brief description of the problem as well as the R.A. number must also be written down on a piece of paper included in the shipping carton. If the unit is under warranty, you must provide a copy of your proof of purchase invoice. You may obtain a R.A. number by contacting our customer support team on our customer support number. All packages returned to the service department not displaying a R.A. number on the outside of the package will be returned to the shipper.

- Do not attempt to operate this unit if the power cord has been frayed or broken. Do not attempt to remove or break off the ground prong from the electrical cord. This prong is used to reduce the risk of electrical shock and fire in case of an internal short.
- Disconnect from main power before making any type of connection.
- Do not remove the cover under any conditions. There are no user serviceable parts inside.
- Never operate this unit when it's cover is removed.
- Never plug this unit in to a dimmer pack
- Always be sure to mount this unit in an area that will allow proper ventilation. Allow about 6" (15cm) between this device and a wall.
- Do not attempt to operate this unit, if it becomes damaged.
- During long periods of non-use, disconnect the unit's main power.
- Always mount this unit in safe and stable matter.
- Power-supply cords should be routed so that they are not likely to be walked on or pinched by items placed upon or against them, paying particular attention to the point they exit from the unit.
- Cleaning -The fixture should be cleaned only as recommended by the manufacturer. See page 27 for cleaning details.
- Heat -The appliance should be situated away from heat sources such as radiators, heat registers, stoves, or other appliances (including amplifiers) that produce heat.
- The fixture should be serviced by qualified service personnel when:
 - A. The power-supply cord or the plug has been damaged.
 - B. Objects have fallen, or liquid has been spilled into the fixture.
 - C. The fixture does not appear to operate normally or exhibits a marked change in performance.
 - D. The fixture has fallen and/or subjected to extreme handling.

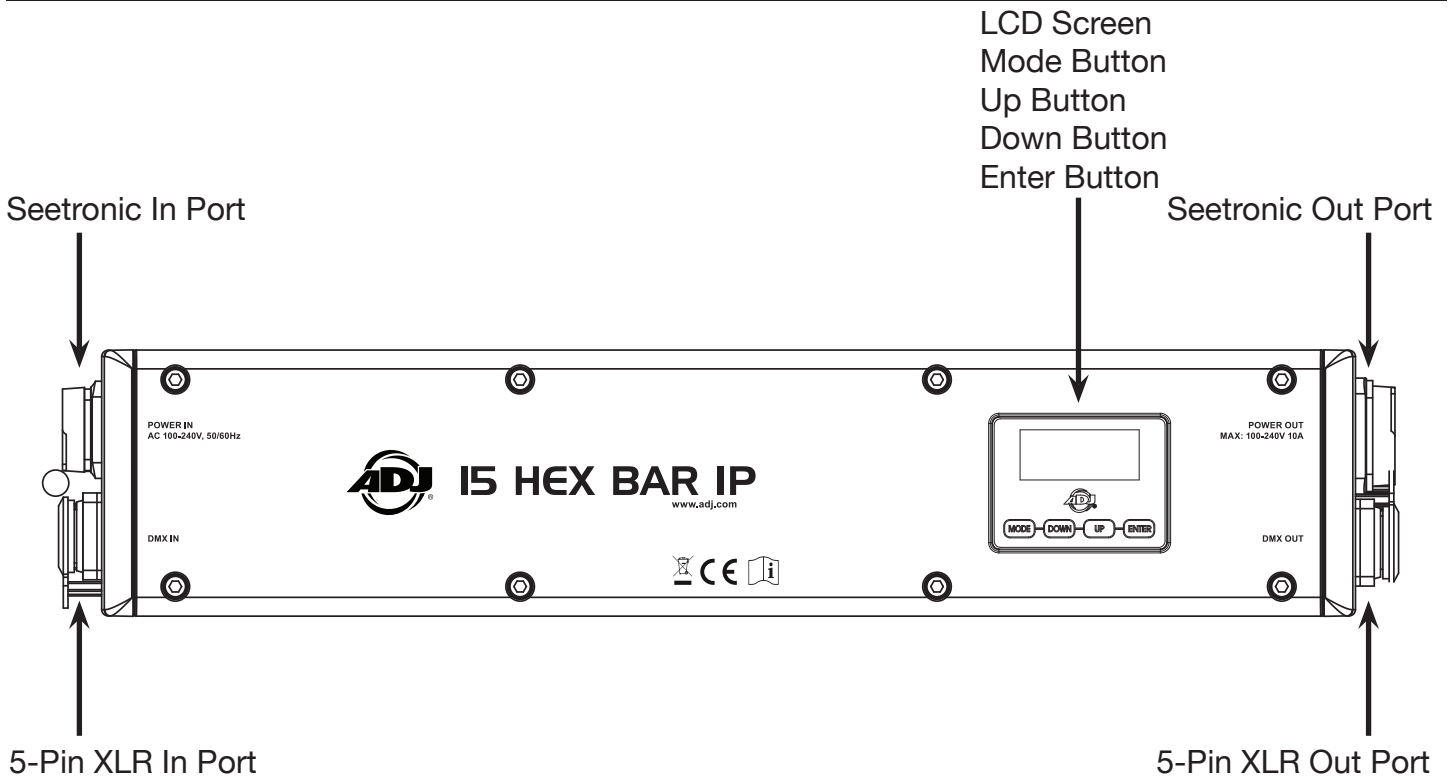
! CAUTION**HIGH
INTENSITY
ULTRAVIOLET
LIGHT****AVOID DIRECT EYE & SKIN EXPOSURE.
WEAR PROPER EYE & SKIN PROTECTION.
SEE MANUAL FOR SAFETY INSTRUCTIONS.****RISK GROUP 3 - RISK OF EXPOSURE TO ULTRAVIOLET (UV) RADIATION!****FIXTURE EMITS HIGH INTENSITY ULTRAVIOLET (UV) LIGHT FROM THE UV LED.****WEAR PROPER EYE AND SKIN PROTECTION.****AVOID PROLONGED PERIODS OF EXPOSURE TO THE UV LED.****AVOID WEARING WHITE COLOR CLOTHING AND/OR USING (UV) PAINTS ON SKIN.****AVOID DIRECT EYE AND/OR SKIN EXPOSURE AT DISTANCES SHORTER THAN 11 feet (3.3m).****DO NOT OPERATE FIXTURE WITH DAMAGED OR MISSING EXTERNAL COVER.****DO NOT LOOK DIRECTLY INTO THE (UV) LIGHT AND/OR VIEW (UV) LIGHT DIRECTLY WITH OPTICAL INSTRUMENTS THAT MAY CONCENTRATE THE LIGHT/RADIATION OUTPUT.****INDIVIDUALS SUFFERING FROM A RANGE OF EYE CONDITIONS, SUNLIGHT EXPOSURE DISORDERS, OR INDIVIDUALS USING PHOTSENSITIVE MEDICATION, MAY RECEIVE DISCOMFORT IF EXPOSED TO THE ULTRAVIOLET (UV) LIGHT EMITTED FROM THIS FIXTURE.**

IP65 RATED

An IP rated lighting fixture is one, which is commonly installed in outdoor environments and has been designed with an enclosure that effectively protects the ingress (entry) of external foreign objects such as dust and water. The International Protection (IP) rating system is commonly expressed as "IP" (Ingress Protection) followed by two numbers (i.e. IP65) where the numbers define the degree of protection. The first digit (Foreign Bodies Protection) indicates the extent of protection against particles entering the fixture and the second digit (Water Protection) indicates the extent of protection against water entering the fixture. An IP65 rated lighting fixture is one, which has been designed and tested to protect against the ingress of dust (6) and high-pressure water jets from any direction (5).

MARINE/COASTAL ENVIRONMENT INSTALLATIONS

NOT suitable for marine and/or coastal environment installations. Installing this fixture in a marine and/or coastal environment may cause corrosion and/or excessive wear to the interior and/or exterior components of the fixture. Damages and/or performance issues resulting from installation in a marine and/or coastal environment will void the manufactures warranty and will NOT be subJect to any warranty claims and/or repairs.



Always ensure that the unit is firmly fixed to avoid vibration and slipping while operating. Always ensure that the structure to which you are attaching the unit is secure and is able to support a weight of 10 times the unit's weight. **ALWAYS** use safety cables that can hold 12 times the weight of the unit when installing the fixture.

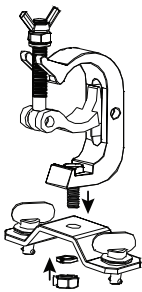
This equipment must be installed by a professional, and it must be installed in a place where it is out of the reach of people's grasp. Overhead mounting requires extensive experience, including calculating working load limits, installation material being used, and periodic safety inspection of all installation material and unit. If you lack these qualifications, do not attempt the installation yourself. These installations should be checked by a skilled person once a year.

Ensure ALL connections and end caps are properly sealed with a non-conductive dielectric grease (available at most electrical suppliers) to prevent water ingress/condensation and/or corrosion.

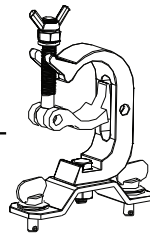
The 15 Hex Bar IP is fully operational in three different mounting positions; hanging upside-down, mounted sideways on trussing, or set on a flat level surface. Be sure this fixture is kept at least 12m (40ft) away from any flammable materials (decoration etc.). **ALWAYS** use and install the supplied safety cable as a safety measure to prevent accidental damage and/or injury in the event the clamp fails.

Screw one clamp via a M12 screw and nut into the Omega holder. Insert the quick-lock fasteners of the Omega holder into the respective holes of the adjustable mounting bracket. Tighten the quick-lock fasteners fully clockwise. Pull the safety-cable through the attachment openings and over the trussing system or a safe fixation spot. Insert the end in the carabine and tighten the safety screw.

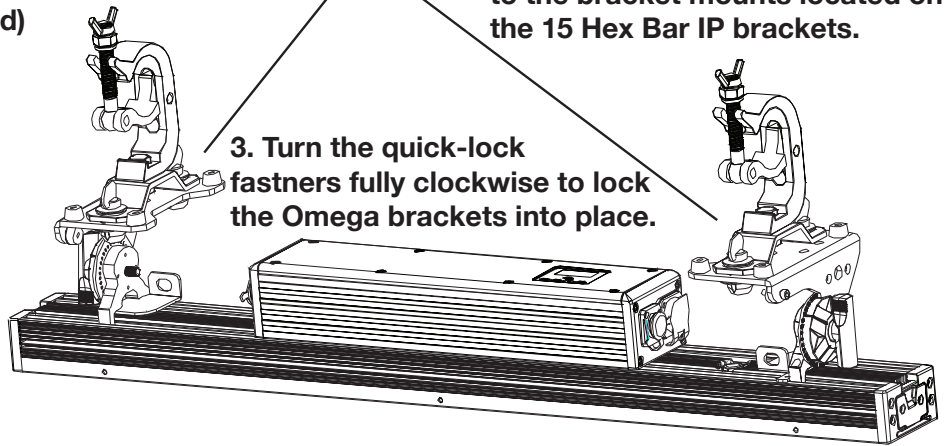
PLEASE SEE THE NEXT PAGE FOR CLAMP AND SAFETY CABLE INSTALL.



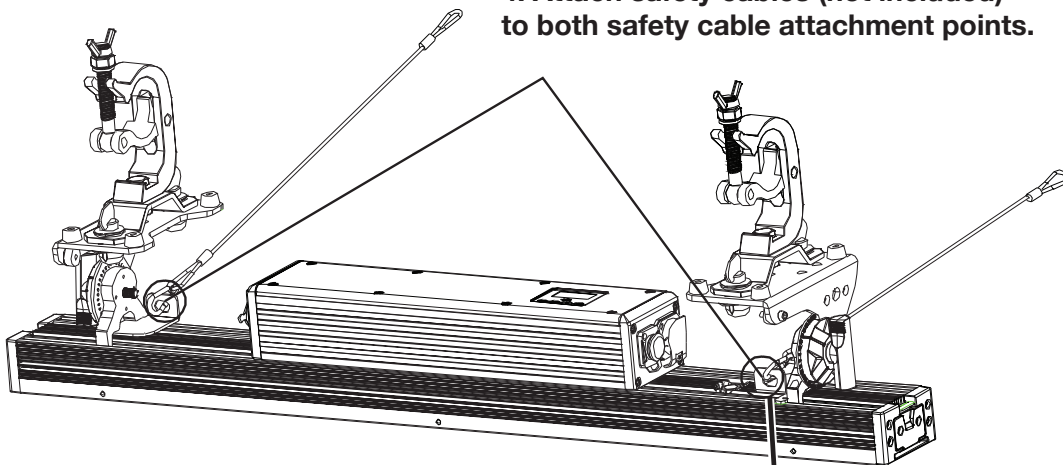
1. Attach a clamp (not included) to each omega bracket.



2. Attach the omega brackets to the bracket mounts located on the 15 Hex Bar IP brackets.



3. Turn the quick-lock fasteners fully clockwise to lock the Omega brackets into place.

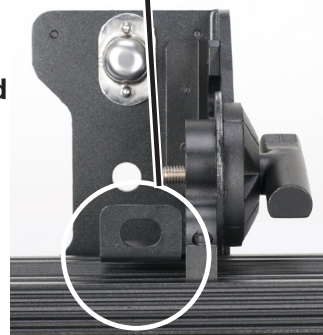


4. Attach safety cables (not included) to both safety cable attachment points.

NOTE: Safety cable attachment points are located at both ends. Its recommended to use safety cables on both ends.



ALWAYS ATTACH A SAFETY CABLE WHENEVER INSTALLING THIS DEVICE IN A SUSPENDED ENVIRONMENT TO ENSURE THE FIXTURE WILL NOT DROP IF THE CLAMP FAILS.



15 Hex Bar IP

Manual Tilt Adjustment

The bar angle is adjustable manually using the brackets located on each side of the unit. Simply loosen the tilt adjustment knobs attached to each mounting bracket and adjust the bracket accordingly. After making your desired set up, securely tighten the tilt adjustment knobs. See picture below for a 90 degree set up.



90 Degree Setting

15 Hex Bar IP

Connections

ENSURE ALL CONNECTIONS AND END CAPS ARE PROPERLY SEALED WITH A DIELECTRIC GREASE (AVAILABLE AT MOST ELECTRICAL SUPPLIERS) TO PREVENT WATER CORROSION AND/OR ELECTRICAL SHORT CIRCUIT.

TO MAINTAIN IP65 RATING INTEGRITY AND PREVENT WATER FROM ENTERING THE FIXTURE, ALL UNUSED CONNECTION RUBBER CAPS MUST BE SEALED.



DMX-512: DMX is short for Digital Multiplex. This is a universal protocol used as a form of communication between intelligent fixtures and controllers. A DMX controller sends DMX data instructions from the controller to the fixture. DMX data is sent as serial data that travels from fixture to fixture via the DATA “IN” and DATA “OUT” XLR terminals located on all DMX fixtures (most controllers only have a DATA “OUT” terminal).

DMX Linking: DMX is a language allowing all makes and models of different manufactures to be linked together and operate from a single controller, as long as all fixtures and the controller are DMX compliant. To ensure proper DMX data transmission, when using several DMX fixtures try to use the shortest cable path possible. The order in which fixtures are connected in a DMX line does not influence the DMX addressing. For example; a fixture assigned a DMX address of 1 may be placed anywhere in a DMX line, at the beginning, at the end, or anywhere in the middle. When a fixture is assigned a DMX address of 1, the DMX controller knows to send DATA assigned to address 1 to that unit, no matter where it is located in the DMX chain.

Data Cable (DMX Cable) Requirements (For DMX Operation): The 15 Hex Bar IP can be controlled via DMX-512 protocol. The 15 Hex Bar IP has 10 DMX channel modes. The DMX address is set on the back panel of the 15 Hex Bar IP. Your unit and your DMX controller require a standard 5-pin XLR connector for data input and data output. We recommend Accu-Cable DMX cables. If you are making your own cables, be sure to use standard 110-120 Ohm shielded cable (This cable may be purchased at almost all pro lighting stores). Your cables should be made with a male and female XLR connector on either end of the cable. Also remember that DMX cable must be daisy chained and cannot be split.

Special Note: Line Termination. When longer runs of cable are used, you may need to use a terminator on the last unit to avoid erratic behavior. A terminator is a 110-120 ohm 1/4 watt resistor which is connected between pins 2 and 3 of a male XLR connector (DATA + and DATA -). This unit is inserted in the female XLR connector of the last unit in your daisy chain to terminate the line. Using a cable terminator (ADJ part number Z-DMX/T) will decrease the possibilities of erratic behavior.

All fixtures should be given a DMX starting address when using a DMX controller, so the correct fixture responds to the correct control signal. This digital starting address is the channel number from which the fixture starts to “listen” to the digital control signal sent out from the DMX controller. The assignment of this starting DMX address is achieved by setting the correct DMX address on the digital control display on the fixture.

You can set the same starting address for all fixtures or a group of fixtures, or set different addresses for each individual fixture. Setting all fixtures to the same DMX address will cause all fixtures to react in the same way, in other words, changing the settings of one channel will affect all the fixtures simultaneously.

If you set each fixture to a different DMX address, each unit will start to “listen” to the channel number you have set, based on the quantity of DMX channels of each fixture. That means changing the settings of one channel will only affect the selected fixture.

In the case of the 15 Hex Bar IP, when in 6 channel mode you should set the starting DMX address of the first unit to 1, the second unit to 7 (6 + 1), the third unit to 13 (7 + 6), and so on. (See chart below for more details.)

Channel Mode	Unit 1 Address	Unit 2 Address	Unit 3 Address	Unit 4 Address
6 Channels	1	7	13	19
9 Channels	1	10	19	28
12 Channels	1	13	25	37
14 Channels	1	15	29	43
17 Channels	1	18	35	52
30 Channels	1	31	61	91
33 Channels	1	34	67	100
38 Channels	1	39	77	115
41 Channels	1	42	83	124
60 Channels	1	61	121	181

6 Ch	9 Ch	12 Ch	14 Ch	17 Ch	30 Ch	33 Ch	38 Ch	41 Ch	60 Ch	VALUES	FUNCTIONS
1	1	1	1	1						000-255	RED (ALL LEDS) 0-100%
		2								000-255	RED FINE (ALL LEDS)
2	2	3	2	2						000-255	GREEN (ALL LEDS) 0-100%
		4								000-255	GREEN FINE (ALL LEDS)
3	3	5	3	3						000-255	BLUE (ALL LEDS) 0-100%
		6								000-255	BLUE FINE (ALL LEDS)
4	4	7	4	4						000-255	WHITE (ALL LEDS) 0-100%
		8								000-255	WHITE FINE (ALL LEDS)
5	5	9	5	5						000-255	AMBER (ALL LEDS) 0-100%
		10								000-255	AMBER FINE (ALL LEDS)
6	6	11	6	6						000-255	UV (ALL LEDS) 0-100%
		12								000-255	UV FINE (ALL LEDS)
					1	1	1	1	1	000-255	RED (ZONE #1) 0-100%
									2	000-255	RED FINE (ZONE #1)
					2	2	2	2	3	000-255	GREEN (ZONE #1) 0-100%
									4	000-255	GREEN FINE (ZONE #1)
					3	3	3	3	5	000-255	BLUE (ZONE #1) 0-100%
									6	000-255	BLUE FINE (ZONE #1)
					4	4	4	4	7	000-255	WHITE (ZONE #1) 0-100%
									8	000-255	WHITE FINE (ZONE #1)
					5	5	5	5	9	000-255	AMBER (ZONE #1) 0-100%
									10	000-255	AMBER FINE (ZONE #1)
					6	6	6	6	11	000-255	UV (ZONE #1) 0-100%
									12	000-255	UV FINE (ZONE #1)
					7	7	7	7	13	000-255	RED (ZONE #2) 0-100%
									14	000-255	RED FINE (ZONE #2)
					8	8	8	8	15	000-255	GREEN (ZONE #2) 0-100%
									16	000-255	GREEN FINE (ZONE #2)
					9	9	9	9	17	000-255	BLUE (ZONE #2) 0-100%
									18	000-255	BLUE FINE (ZONE #2)

6 Ch	9 Ch	12 Ch	14 Ch	17 Ch	30 Ch	33 Ch	38 Ch	41 Ch	60 Ch	VALUES	FUNCTIONS
					10	10	10	10	19	000-255	WHITE (ZONE #2) 0-100%
									20	000-255	WHITE FINE (ZONE #2)
					11	11	11	11	21	000-255	AMBER (ZONE #2) 0-100%
									22	000-255	AMBER FINE (ZONE #2)
					12	12	12	12	23	000-255	UV (ZONE #2) 0-100%
									24	000-255	UV FINE (ZONE #2)
					13	13	13	13	25	000-255	RED (ZONE #3) 0-100%
									26	000-255	RED FINE (ZONE #3)
					14	14	14	14	27	000-255	GREEN (ZONE #3) 0-100%
									28	000-255	GREEN FINE (ZONE #3)
					15	15	15	15	29	000-255	BLUE (ZONE #3) 0-100%
									30	000-255	BLUE FINE (ZONE #3)
					16	16	16	16	31	000-255	WHITE (ZONE #3) 0-100%
									32	000-255	WHITE FINE (ZONE #3)
					17	17	17	17	33	000-255	AMBER (ZONE #3) 0-100%
									34	000-255	AMBER FINE (ZONE #3)
					18	18	18	18	35	000-255	UV (ZONE #3) 0-100%
									36	000-255	UV FINE (ZONE #3)
					19	19	19	19	37	000-255	RED (ZONE #4) 0-100%
									38	000-255	RED FINE (ZONE #4)
					20	20	20	20	39	000-255	GREEN (ZONE #4) 0-100%
									40	000-255	GREEN FINE (ZONE #4)
					21	21	21	21	41	000-255	BLUE (ZONE #4) 0-100%
									42	000-255	BLUE FINE (ZONE #4)
					22	22	22	22	43	000-255	WHITE (ZONE #4) 0-100%
									44	000-255	WHITE FINE (ZONE #4)
					23	23	23	23	45	000-255	AMBER (ZONE #4) 0-100%
									46	000-255	AMBER FINE (ZONE #4)
					24	24	24	24	47	000-255	UV (ZONE #4) 0-100%
									48	000-255	UV FINE (ZONE #4)

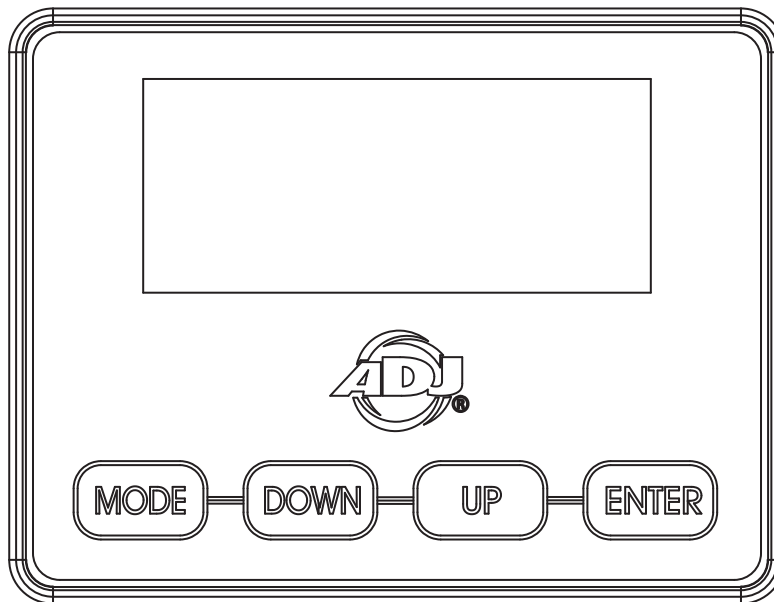
6 Ch	9 Ch	12 Ch	14 Ch	17 Ch	30 Ch	33 Ch	38 Ch	41 Ch	60 Ch	VALUES	FUNCTIONS
					25	25	25	25	49	000-255	RED (ZONE #5) 0-100%
									50	000-255	RED FINE (ZONE #5)
					26	26	26	26	51	000-255	GREEN (ZONE #5) 0-100%
									52	000-255	GREEN FINE (ZONE #5)
					27	27	27	27	53	000-255	BLUE (ZONE #5) 0-100%
									54	000-255	BLUE FINE (ZONE #5)
					28	28	28	28	55	000-255	WHITE (ZONE #5) 0-100%
									56	000-255	WHITE FINE (ZONE #5)
					29	29	29	29	57	000-255	AMBER (ZONE #5) 0-100%
									58	000-255	AMBER FINE (ZONE #5)
					30	30	30	30	59	000-255	UV (ZONE #5) 0-100%
									60	000-255	UV FINE (ZONE #5)
			7	7			31	31		000-255	COLOR MACROS See Color Macro Chart on page 16
			8	8			32	32		000-255	COLOR TEMPERATURES 2700-7000K
	7		9	9		31	33	33			SHUTTER & STROBE
										000-031	LEDs Off
										032-063	LEDs On
										064-095	Strobing Slow - Fast
										096-127	LEDs On
										128-159	Pulse Strobing in Sequences
										160-191	LEDs On
										192-223	Random Strobing Slow - Fast
										224-255	LEDs On
	8		10	10		32	34	34		000-255	MASTER DIMMER 0% - 100%
	9		11	11		33	35	35		000-255	DIMMER FINE 0% - 100%
				12				36			AUTO PROGRAMS
										000-010	Off
										011-026	Auto Program 1
										027-043	Auto Program 2
										044-060	Auto Program 3
										061-076	Auto Program 4
										077-093	Auto Program 5
										094-110	Auto Program 6
										111-126	Auto Program 7
										127-143	Auto Program 8
										144-160	Auto Program 9
										161-176	Auto Program 10
										177-193	Auto Program 11
										194-210	Auto Program 12
										211-226	Auto Program 13
										227-255	No Function

6 Ch	9 Ch	12 Ch	14 Ch	17 Ch	30 Ch	33 Ch	38 Ch	41 Ch	60 Ch	VALUES	FUNCTIONS
				13				37		000-255	AUTO PROGRAM SPEED Slow - Fast
				14				38		000-255	AUTO PROGRAM FADE Slow - Fast
			12	15			36	39			DIMMER MODES
										000-020	Standard
										021-040	Stage
										041-060	TV
										061-080	Architectural
										081-100	Theatre
										101-120	Stage 2
											DIMMER DELAY TIME
										121	0.1Sec.
										122	0.2Sec.
										123	0.3Sec.
										124	0.4Sec.
										125	0.5Sec.
										126	0.6Sec.
										127	0.7Sec.
										128	0.8Sec.
										129	0.9Sec.
										130	1.0Sec.
										131	1.5Sec.
										132	2.0Sec.
										133	3.0Sec.
										134	4.0Sec.
										135	5.0Sec.
										136	6.0Sec.
										137	7.0Sec.
										138	8.0Sec.
										139	9.0Sec.
										140	10Sec.
										141-255	Default to Unit Setting
			13	16			37	40			REFRESH RATES
										000-015	Default to Unit Setting
										016-030	900Hz
										031-045	1000Hz
										046-060	1100Hz
										061-075	1200Hz
										076-090	1300Hz
										091-105	1400Hz
										106-120	1500Hz
										121-135	2500Hz
										136-150	4000Hz
										151-165	5000Hz
										166-180	10000Hz
										181-195	15000Hz
										196-210	20000Hz
										211-225	25000Hz
										226-255	No Function
			14	17			38	41			GAMMA
										000-020	Default to Unit Setting
										021-040	2.0
										041-060	2.2
										061-080	2.4
										081-100	2.6
										101-120	2.8
										121-255	No Function

0-3=Off	64-67=B+W	128-131=G+B+W	192-195=R+B+W+A
4-7=Red	68-71=B+A	132-135=G+B+A	196-199=R+B+W+UV
8-11=Green	72-75=B+UV	136-139=G+B+UV	200-203=R+B+A+UV
12-15=Blue	76-79=W+A	140-143=G+W+A	204-207=R+W+A+UV
16-19=White	80-83=W+UV	144-147=G+W+UV	208-211=G+B+W+A
20-23=Amber	84-87=A+UV	148-151=G+A+UV	212-215=G+B+W+UV
24-27=UV	88-91=R+G+B	152-155=B+W+A	216-219=G+B+A+UV
28-31=R+G	92-95=R+G+W	156-159=B+W+UV	220-223=G+W+A+UV
32-35=R+B	96-99=R+G+A	160-163=B+A+UV	224-227=B+W+A+UV
36-39=R+W	100-103=R+G+UV	164-167=W+A+UV	228-231=R+G+B+W+A
40-43=R+A	104-107=R+B+W	168-171=R+G+B+W	232-235=R+G+B+W+UV
44-47=R+UV	108-111=R+B+A	172-175=R+G+B+A	236-239=R+G+B+A+UV
48-51=G+B	112-115=R+B+UV	176-179=R+G+B+UV	240-243=R+G+W+A+UV
52-55=G+W	116-119=R+W+A	180-183=R+G+W+A	244-247=R+B+W+A=UV
56-59=G+A	120-123=R+W+UV	184-187=R+G+W+UV	248-251=G+B+W+A+UV
60-63=G+UV	124-127=R+A+UV	188-191=R+G+A+UV	252-255=R+G+B+W+A+UV

SYSTEM MENU

The fixture includes an easy to navigate system menu control panel display where all necessary settings and adjustments are made. (See image below) During normal operation, pressing the **MENU** button once will access the fixture's main menu. Once in the main menu, you can navigate through the different functions and access the sub-menus with the **UP** and **DOWN** buttons. When you reach a field that requires adjusting, press the **ENTER** button to access that field and use the **UP** and **DOWN** buttons to adjust the field. Pressing the **ENTER** button once more will confirm your setting. You may exit the main menu at any time without making any adjustments by pressing the **MENU** button.



MENU	SUBMENU	OPTIONS	DESCRIPTION
DMX SET	Address	001-512	DMX Addressing
	Ch. Mode	6CH / 9CH / 12CH / 14 CH / 17CH / 30CH / 33CH / 38CH / 41CH / 60CH	DMX Channel Mode Selection
	No DMX	Hold / Blackout / Int. Prog	DMX Lost Status
Persnlty (Personality)	Master	On / Off	Master Setting
	Slave	On / Off	Slave Setting
	Dim Mode	Standard / Stage / TV / Archi (Architectural) / Theatre / Stage 2 DimSpeed: 0.1-0.9s ~ 1-10s	Dimming Curve Modes Dimming Speed
	LEDRfrsh (LED Refresh Rate)	900 / 1000 / 1100 / 1200 / 1300 / 1400 / 1500 / 2500 / 4000 / 5000 / 10000 / 15000 / 20000 / 25000 (Hz)	LED Refresh Setting
	Gamma	2.0 / 2.2 / 2.4 / 2.6 / 2.8	Gamma Brightness
	Display	SaveDlay: 1~10M	Display Shutoff Time
		Lock: OFF / 1M~10M	Display Control Lock
	Service	Pass Code = 50	Calibrat (Calibration) (Pass Code = 050)
Restore: YES / NO (Pass Code = 011)			Restore Factory Settings
Manual	Red	000-255	Manual Control Settings
	Green	000-255	
	Blue	000-255	
	White	000-255	
	Amber	000-255	
	UV	000-255	
	Strobe	000-255	
	MastrDim	000-255	
	ClrMacro	000-063	
ClrTemp	000-255		
IntProgs (Internal Programs)	Prog 1	Speed: 000-255 Fade: 000-255	Program 1 with Adjustments
	Prog 2	Speed: 000-255 Fade: 000-255	Program 2 with Adjustments
	Prog 3	Speed: 000-255 Fade: 000-255	Program 3 with Adjustments
	Prog 4	Speed: 000-255 Fade: 000-255	Program 4 with Adjustments
	Prog 5	Speed: 000-255 Fade: 000-255	Program 5 with Adjustments
	Program 6	Speed: 000-255 Fade: 000-255	Program 6 with Adjustments
	Program 7	Speed: 000-255 Fade: 000-255	Program 7 with Adjustments
	Program 8	Speed: 000-255 Fade: 000-255	Program 8 with Adjustments
	Program 9	Speed: 000-255 Fade: 000-255	Program 9 with Adjustments
	Program 10	Speed: 000-255 Fade: 000-255	Program 10 with Adjustments
	Program 11	Speed: 000-255 Fade: 000-255	Program 11 with Adjustments
	Program 12	Speed: 000-255 Fade: 000-255	Program 12 with Adjustments
	Program 13	Speed: 000-255 Fade: 000-255	Program 13 with Adjustments

MENU	SUBMENU	OPTIONS	DESCRIPTION
Info. (Information)	Hours	PwrOnHr1: XXXXX	Total Power On Time (Not Resettable)
		PwrOnHr2: XXXXX	Current Power On Time (Resettable)
		PwrOnRst: Pass Code = 050	Reset Current Power On Time
	Temp	XXX F / XXX C	Current Temperature
		MaxTemp1: XXX F / XXX C	Maximum Temperature ⁽¹⁾ Reached (Resettable) (See Note 1 below)
		MaxTemp2: XXX F / XXX C	Maximum Temperature ⁽²⁾ Reached (Not Resettable) (See Note 2 below)
		TempRst.: YES / NO - Pass Code = 050	Reset MaxTemp1
	DMXValue ⁽³⁾ (See Note 3 below)	Red / Green / Blue / White / Amber / UV / ClrMacro / ClrTemp / Strobe / MastrDim / DimFine / DimMode / LEDRfrsh / Gamma	Current DMX Value Settings
	SoftVers	X.XX	Current Software Version

Notes:

- (1) Current Maximum Temperature - Maximum fixture temp. that has been recorded, before reset and after reset.
(2) Maximum Temperature - Overall maximum fixture temp. that has been recorded. (Not Resettable)
(3) DMX Value options depend on the DMX Channel mode the fixture is set to.

System Menu: When making adjustments press **ENTER** to confirm your setup. To exit without making any adjustments press the **MENU** button. The display will lock after 30 seconds, press the **MENU** button for 3 seconds to unlock.

DMX SET - The submenus listed under **DMX SET** are as follows: **Address**, **Ch. Mode**, and **No DMX**.

- **Address** - In this submenu you are able to find and set your desired DMX address.
- **Ch. Mode** - In this submenu you are able to find and set your desired DMX channel mode.
- **No DMX** - This setting is used as a precaution mode in case the DMX signal is lost or interrupted. The operating mode chosen is the running mode the fixture will go into when the DMX signal is lost. Listed below are the 3 modes.
 - **HOLD** - This setting will have the fixture stay in the last DMX setup.
 - **BLACKOUT** - This setting will have the fixture automatically go into blackout mode.
 - **Int.Prog** - This setting will have the fixture automatically run 1 of 13 internal programs.

PERSNLTY (PERSONALITY) - The submenus listed under **Persnlty (PERSONALITY)** are as follows: **Master**, **Slave**, **Dim Mode**, **LED Refresh Rate (LEDRfrsh)**, **Gamma**, **Display**, and **Service**.

- **Master** - Set the unit to act as the Master unit in a master-slave configuration. See Master-Slave configuration on page for more information.
- **Slave** - Set the unit to act as the slave unit in a master-slave configuration. See Master-Slave configuration on page for more information.
- **Dim Mode** - In this submenu you are able to set your desired dimmer mode. The dimming speed is also adjustable in this submenu.
- **LEDRfrsh (LED Refresh Rate)** - In this submenu you are able to set your desired LED refresh rate.
- **Gamma** - In this submenu you are able to set your desired gamma brightness.
- **Display** - In this submenu you are able to activate/adjust the display shutoff time, and activate/deactivate the display lock.
- **Service** - In this submenu you are able to access and adjust/change: the calibration (effect adjust), activate the service port, update software, and restore the factory settings.

MANUAL - This menu is used for manual control of the RGBWA+UV LEDs, strobe, master dimmer, color macros, and color temperature.

INTPROGS (INTERNAL PROGRAMS) - This menu allows you to select 1 of 13 internal programs to run. Program speed and fade speed are adjustable. The selected program will also run when "Int. Prog." is selected under the "No DMX" setting.

INFO. (INFORMATION) - The submenus listed under **Info. (INFORMATION0)** are as follows: **Fixture Hours**, **Fixture Temperatures**, **DMX Values**, and **Software Version**.

- **HOURS (FIXTURE HOURS)**

PwrOnHr1 - The **TOTAL** power ON running time of the unit is displayed. This time **CANNOT** be reset.

PwrOnHr2 - The **CURRENT** power ON running time of the unit is displayed. This running time may not be the same as the total power ON running time displayed under **"Power On Time"**. This time **CAN** be reset.

PwrOnRst - Reset the current power ON running time that is displayed under **"PwrOnHr2"**.

- **TEMP. (FIXTURE TEMPERATURES)**

XXX - Current temperature

MaxTemp1 - Maximum current temperature reached. This temperature **CAN** be reset.

MaxTemp2 - Overall maximum fixture temperature that has been recorded. This temperature **CANNOT** be reset.

TempRst - Reset the maximum temperature displayed under **"MaxTemp1"**.

- **DMXValue** - Displays the DMX values of any DMX channel that is currently in use.

NOTE: DMX value options depend on the current DMX channel mode setting.

- **SoftVers (Software Version)** - Current software version is displayed.

Master-Slave Configuration:

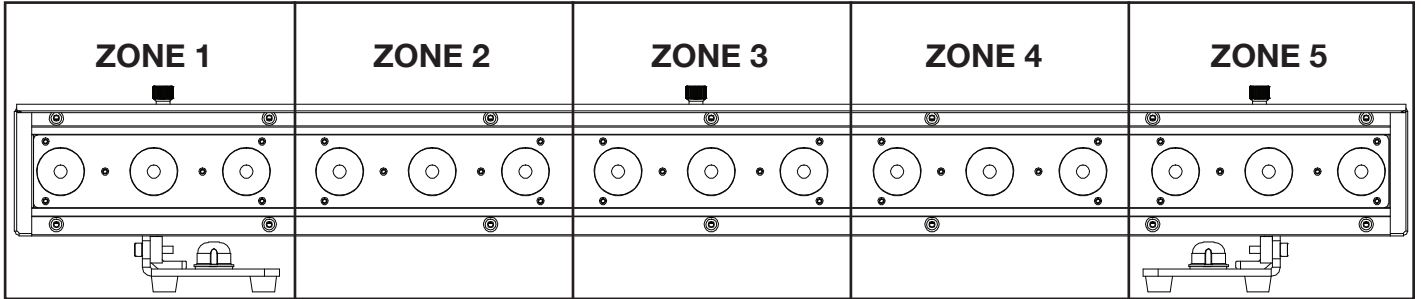
This function will allow you to link units together to run in a Master-Slave set-up. In a Master-Slave set up one unit will act as the controlling unit and the others will react to the controlling units built-in programs. Any unit can act as a Master or as a Slave however, only one unit can be programmed to act as the "Master."

Master-Slave Connections and Settings:

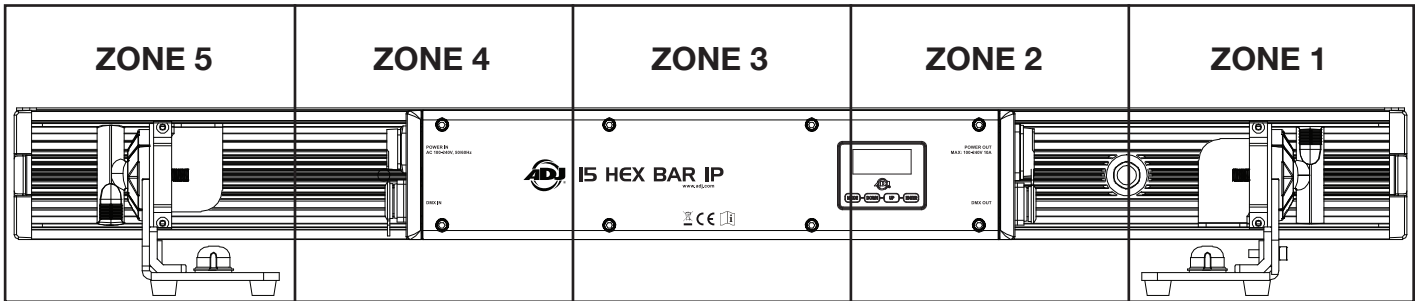
1. Daisy chain your units via the XLR connector on the rear of the unit. Use standard XLR data cables to link your units together. Remember that the Male XLR connector is the input and the Female XLR connector is the output. The first unit in the chain (master) will use the female XLR connector only. The last unit in the chain will use the male XLR connector only.
2. Connect the first "Slave" unit to the "Master."
3. **"Master" Unit:** Activate the "Master" setting located in the **"PERSONLTY"** menu.
"Slave" Unit(s): Activate the "Slave" setting located in the **"PERSONLTY"** menu.
4. Set the "Master" unit to your desired mode of operation.
5. The slave unit(s) will now follow the master unit.

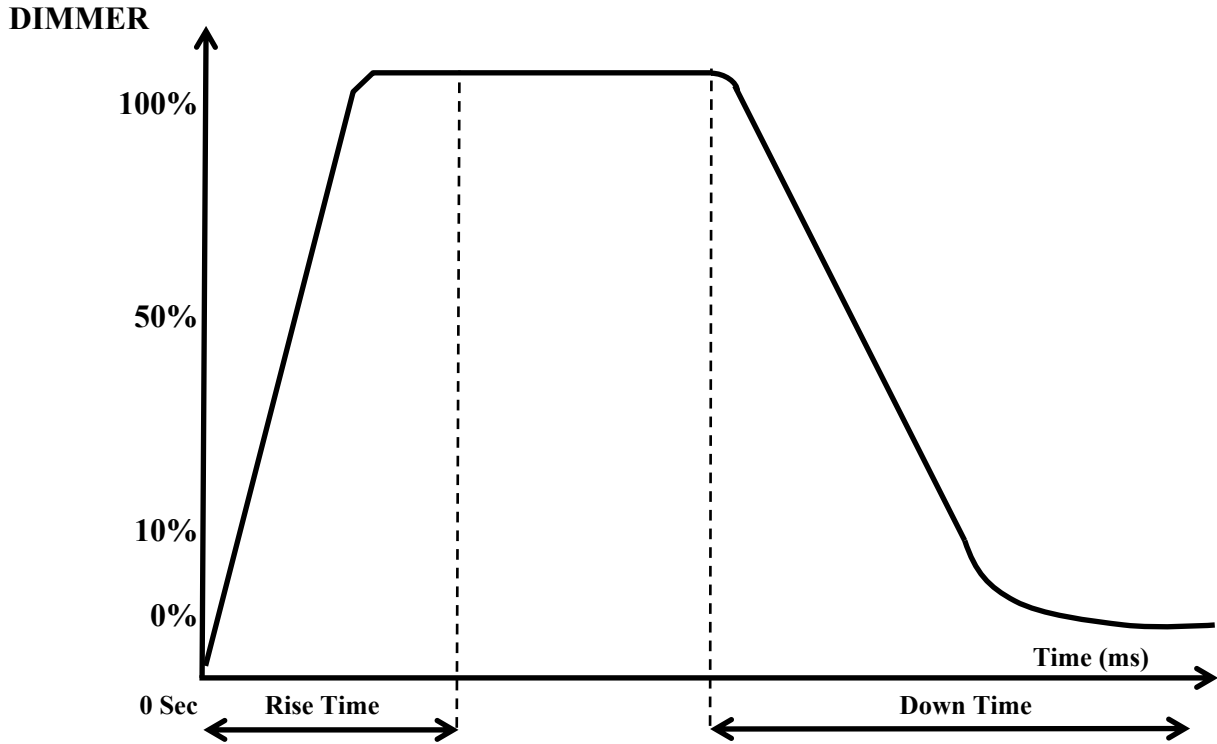
Pixel Zones 1-5

FRONT VIEW



REAR VIEW





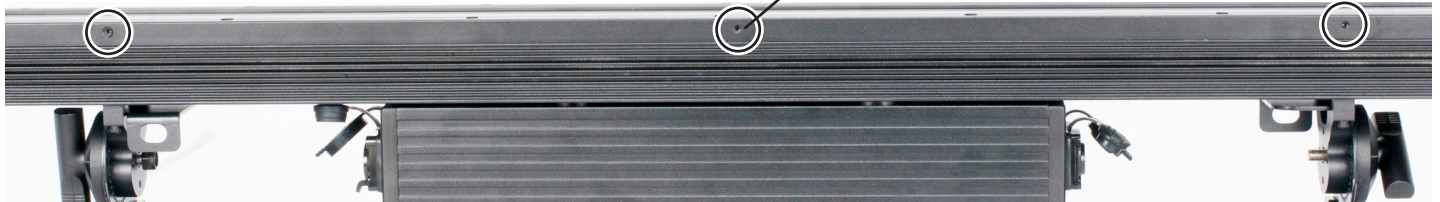
Dimming Curve Ramp Effect	0 sec Fade Time		1 sec Fade Time	
	Rise Time (ms)	Down Time (ms)	Rise Time (ms)	Down Time (ms)
Standard (default)	0	0	0	0
Stage	780	1100	1540	1660
TV	1180	1520	1860	1940
Architectural	1380	1730	2040	2120
Theatre	1580	1940	2230	2280
Stage 2	0	1100	0	1660

15 Hex Bar IP

Glare Shield Installation

The 15 Hex Bar IP comes with an attachable glare shield. The glare shield is easy to install using the directions below. If you have any questions regarding installation, please contact ADJ customer support.

1. Locate the three (3) screw holes located on either side of the unit.



2. Line up the three (3) glare shield thumb screws with the three (3) thumb screw holes located on either side of the unit. Screw the thumb screws in and tighten. **DO NOT** overtighten.

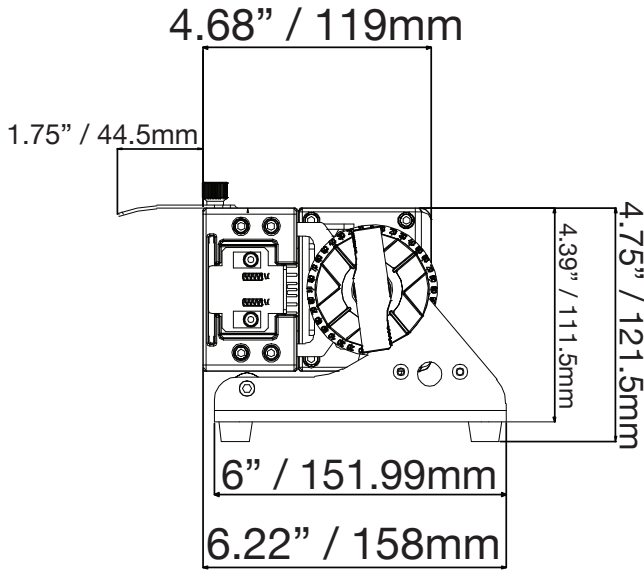
15 Hex Bar IP

Filter Installation

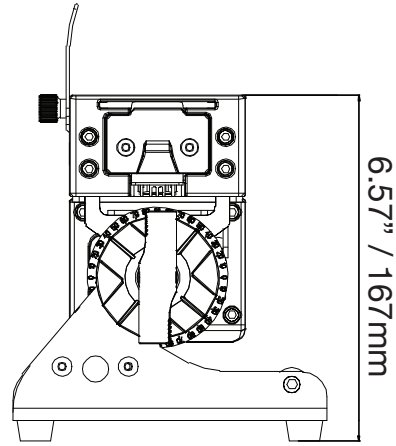
The 15 Hex Bar IP comes with an optional frost/diffuser filter. The filter is easy to install using the directions below. If you have any questions regarding installation, please contact ADJ customer support.



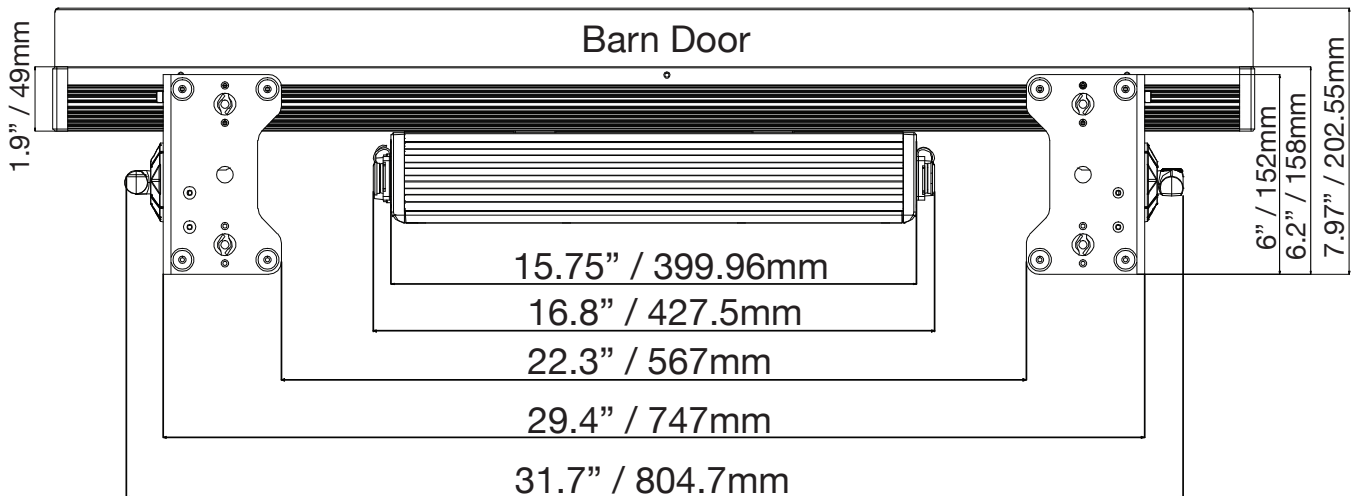
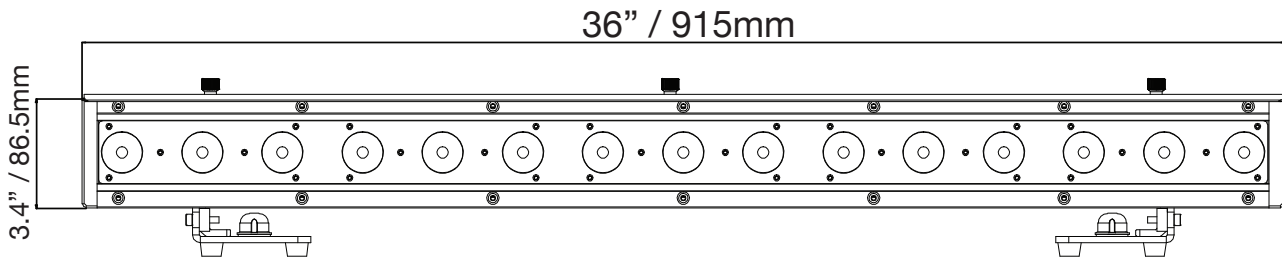
Locate the filter slot door located at either end of the unit. Pull and hold the slot door down and gently slide the frost/diffuser filter in. Make sure the filter is all the way inside before releasing the slot door to close.



BAR FACING 0°



BAR FACING UP (90°)



With this feature you can connect the fixtures to one another using the power cable input and output sockets.

NOTE: USE CAUTION WHEN POWER LINKING OTHER FIXTURES AS THE POWER CONSUMPTION OF OTHER MODEL FIXTURES MAY EXCEED THE MAX POWER OUTPUT ON THIS FIXTURE! CHECK SILK SCREEN FOR MAX AMPS.

Listed below are a few common problems the user may encounter, with solutions.

Unit not responding to DMX:

1. Check that the DMX cables are connected properly and are wired correctly (pin 3 is “hot”; on some other DMX devices pin 2 may be ‘hot’). Also, check that all cables are connected to the right connectors; it does matter which way the inputs and outputs are connected.

Due to fog residue, smoke, and dust cleaning the internal and external optical lenses must be carried out periodically to optimize light output.

1. Use normal glass cleaner and a soft cloth to wipe down the outside casing.
2. Clean the external optics with glass cleaner and a soft cloth every 20 days.
3. Always be sure to dry all parts completely before plugging the unit back in.

Cleaning frequency depends on the environment in which the fixture operates (i.e. smoke, fog residue, dust, dew).

MANUFACTURER'S LIMITED WARRANTY

- A. ADJ Products, LLC hereby warrants, to the original purchaser, ADJ Products, LLC products to be free of manufacturing defects in material and workmanship for a prescribed period from the date of purchase (see specific warranty period on reverse). This warranty shall be valid only if the product is purchased within the United States of America, including possessions and territories. It is the owner's responsibility to establish the date and place of purchase by acceptable evidence, at the time service is sought.
- B. For warranty service you must obtain a Return Authorization number (RA#) before sending back the product—please contact ADJ Products, LLC Service Department at 800-322-6337. Send the product only to the ADJ Products, LLC factory. All shipping charges must be pre-paid. If the requested repairs or service (including parts replacement) are within the terms of this warranty, ADJ Products, LLC will pay return shipping charges only to a designated point within the United States. If the entire instrument is sent, it must be shipped in its original package. No accessories should be shipped with the product. If any accessories are shipped with the product, ADJ Products, LLC shall have no liability whatsoever for loss of or damage to any such accessories, nor for the safe return thereof.
- C. This warranty is void if the serial number has been altered or removed; if the product is modified in any manner which ADJ Products, LLC concludes, after inspection, affects the reliability of the product; if the product has been repaired or serviced by anyone other than the ADJ Products, LLC factory unless prior written authorization was issued to purchaser by ADJ Products, LLC; if the product is damaged because not properly maintained as set forth in the instruction manual.
- D. This is not a service contract, and this warranty does not include maintenance, cleaning or periodic check up. During the period specified above, ADJ Products, LLC will replace defective parts at its expense with new or refurbished parts, and will absorb all expenses for warranty service and repair labor by reason of defects in material or workmanship. The sole responsibility of ADJ Products, LLC under this warranty shall be limited to the repair of the product, or replacement thereof, including parts, at the sole discretion of ADJ Products, LLC. All products covered by this warranty were manufactured after August 15, 2012, and bear identifying marks to that effect.
- E. ADJ Products, LLC reserves the right to make changes in design and/or improvements upon its products without any obligation to include these changes in any products theretofore manufactured.

No warranty, whether expressed or implied, is given or made with respect to any accessory supplied with products described above. Except to the extent prohibited by applicable law, all implied warranties made by ADJ Products, LLC in connection with this product, including warranties of merchantability or fitness, are limited in duration to the warranty period set forth above. And no warranties, whether expressed or implied, including warranties of merchantability or fitness, shall apply to this product after said period has expired. The consumer's and/or Dealer's sole remedy shall be such repair or replacement as is expressly provided above; and under no circumstances shall ADJ Products, LLC be liable for any loss or damage, direct or consequential, arising out of the use of, or inability to use, this product.

This warranty is the only written warranty applicable to ADJ Products, LLC Products and supersedes all prior warranties and written descriptions of warranty terms and conditions heretofore published.

MANUFACTURER'S LIMITED WARRANTY PERIODS:

- **Non L.E.D. Lighting Products = 1-year (365 days) Limited Warranty** (Such as: Special Effect Lighting, Intelligent Lighting, UV lighting, Strobes, Fog Machines, Bubble Machines, Mirror Balls, Par Cans, Trussing, Lighting Stands etc. excluding LED and lamps)
- **Laser Products = 1 Year (365 Days) Limited Warranty** (excluding laser diodes which have a 6 month limited warranty)
- **L.E.D. Products = 2-year (730 days) Limited Warranty** (excluding batteries which have a 180 day limited warranty). **Note: 2 Year Warranty only applies to purchases within the United States.**
- **StarTec Series = 1 Year Limited Warranty** (excluding batteries which have a 180 day limited warranty).
- **ADJ DMX Controllers = 2 Year (730 Days) Limited Warranty**

Model: 15 Hex Bar IP

Voltage:	100V ~ 240V/50~60Hz
LEDs:	15 x 12W HEX (6-in-1) RGBWA+UV LEDs
IP Rating:	IP65
Working Position:	Any safe working position
Power Draw:	130W
Dimensions:	36" (L) x 6.22" (W) x 6.57" (H) 915 x 158 x 167mm
Weight:	20 lbs. / 9 kg.
Colors:	RGBWA+UV Color Mixing
DMX Channels:	10 DMX Modes: 6 / 9 / 12 / 14 / 17 / 30 / 33 / 38 / 41 / 60
Warranty:	2 Year (730 days)

Please Note: Specifications and improvements in the design of this unit and this manual are subject to change without any prior written notice.