

# ELIMINATOR<sup>®</sup>

LIGHTING



## Stinger Spot 30

## User Manual

©2022 ADJ Products, LLC all rights reserved. Information, specifications, diagrams, images, and instructions herein are subject to change without notice. Eliminator logo and identifying product names and numbers herein are trademarks of ADJ Lighting, LLC. Copyright protection claimed includes all forms and matters of copyrightable materials and information now allowed by statutory or judicial law or hereinafter granted. Product names used in this document may be trademarks or registered trademarks of their respective companies and are hereby acknowledged. All non-Eliminator brands and product names are trademarks or registered trademarks of their respective companies.

**ADJ Lighting, LLC** and all affiliated companies hereby disclaim any and all liabilities for property, equipment, building, and electrical damages, injuries to any persons, and direct or indirect economic loss associated with the use or reliance of any information contained within this document, and/or as a result of the improper, unsafe, insufficient and negligent assembly, installation, rigging, and operation of this product.

**ADJ PRODUCTS LLC USA**

6122 S. Eastern Ave. Los Angeles, CA. 90040  
323-582-2650 | Fax 323-532-2941 | [www.adj.com](http://www.adj.com) | [info@adj.com](mailto:info@adj.com)

**ADJ SUPPLY Europe B.V**

Junostraat 2 6468 EW Kerkrade, The Netherlands  
+31 (0)45 546 85 00 | Fax +31 45 546 85 99  
[www.americandj.eu](http://www.americandj.eu) | [info@americandj.eu](mailto:info@americandj.eu)

**ADJ PRODUCTS GROUP Mexico**

AV Santa Ana 30 Parque Industrial Lerma, Lerma, Mexico 52000  
+52 (728) 282-7070

**DOCUMENT VERSION**

An updated version of this document may be available online. Please check [www.adj.com](http://www.adj.com) for the latest revision/update of this document before beginning installation and use.



Date	Document Version	Software Version	DMX Channels	Notes
05/23/2022	1.0	1.0	4 / 12 ch.	Initial Release

# CONTENTS

General Information	4
Limited Warranty (USA Only)	5
Safety Guidelines	6
Overview	8
Installation	9
Control Panel	12
System Menu	13
DMX Setup	14
DMX Traits	16
Color Wheel   Gobos	18
Cleaning & Maintenance	19
Dimensional Drawings	20
Specifications	21

# GENERAL INFORMATION

## INTRODUCTION

Please read and understand all instructions in this manual carefully and thoroughly before attempting to operate this product. These instructions contain important safety and use information.

**UNPACKING:** This product has been thoroughly tested and has been shipped in perfect condition. Carefully check the shipping carton for damage that may have occurred during shipping. If the carton appears to have been damaged, carefully inspect your product for damage and be sure all accessories necessary to assemble the product have arrived intact. In the event that damage has been found or parts are missing, please contact our customer support team for further instructions. Please do not return this product to your dealer without first contacting customer support at the number listed below. Please do not discard the shipping carton in the trash. Please recycle whenever possible.

## CUSTOMER SUPPORT

Tel: (323) 582-2650 | Fax: (323) 582-2941

[www.adj.com](http://www.adj.com) | [support@adj.com](mailto:support@adj.com)

## WARRANTY RETURNS

All returned service items, whether under warranty or not, must be freight pre-paid and accompanied by a return authorization (R.A.) number. The R.A. number must be clearly written on the outside of the return package. A brief description of the problem as well as the R.A. number must also be written down on a piece of paper and included in the shipping container. If the unit is under warranty, you must provide a copy of your proof of purchase invoice. Items returned without an R.A. number clearly marked on the outside of the package will be refused and returned at customer's expense. You may obtain an R.A. number by contacting customer support.

## LIMITED WARRANTY (USA ONLY)

**1 Year Limited Warranty:** The Eliminator Lighting warranty is valid for 1 year from the date of purchase. Our 1 year limited warranty covers manufacturing defects only. The serial number of your device and the place of purchase with dated valid receipt must be submitted at time of service. The Eliminator Lighting warranty does not cover items or parts prone to wear and tear: lamps, fuses, brushes and belts. Eliminator Lighting warranty is only valid within the United States.

To register your Eliminator Lighting product online, please click here to the ADJ Warranty Registration Page: <https://www.adj.com/portal/user/register/>

# SAFETY GUIDELINES

To ensure smooth operation, it is important to follow all instructions and guidelines in this manual. **ADJ LIGHTING, LLC** is not responsible for injury and/or damages resulting from the misuse of these devices due to the disregard of the information printed in this manual. Only qualified and/or certified personnel should perform installation of these devices, and only the original rigging parts included with these devices should be used for installation. Any modifications to these devices and/or the included mounting hardware will void the original manufacturer's warranty and increase the risk of damage and/or personal injury.



**THERE ARE NO USER SERVICEABLE PARTS INSIDE THESE DEVICES. DO NOT ATTEMPT ANY REPAIRS YOURSELF, AS DOING SO WILL VOID YOUR MANUFACTURER'S WARRANTY. DAMAGES RESULTING FROM MODIFICATIONS TO THESE DEVICES AND/OR THE DISREGARD OF SAFETY INSTRUCTIONS AND GUIDELINES IN THIS MANUAL VOID THE MANUFACTURER'S WARRANTY AND ARE NOT SUBJECT TO ANY WARRANTY CLAIMS AND/OR REPAIRS.**



**NEVER TOUCH LIGHT DURING OPERATION, AS IT MAY BE HOT!  
ALWAYS DISCONNECT FROM MAIN POWER BEFORE PERFORMING ANY REPAIRS OR MAINTENANCE!  
ALWAYS REPLACE LAMPS AND FUSES WITH REPLACEMENTS OF THE SAME TYPE!  
KEEP FLAMMABLE MATERIALS AWAY FROM THESE DEVICES!**



**INDOOR / DRY LOCATIONS USE ONLY!  
DO NOT EXPOSE DEVICES TO RAIN AND/OR MOISTURE!**



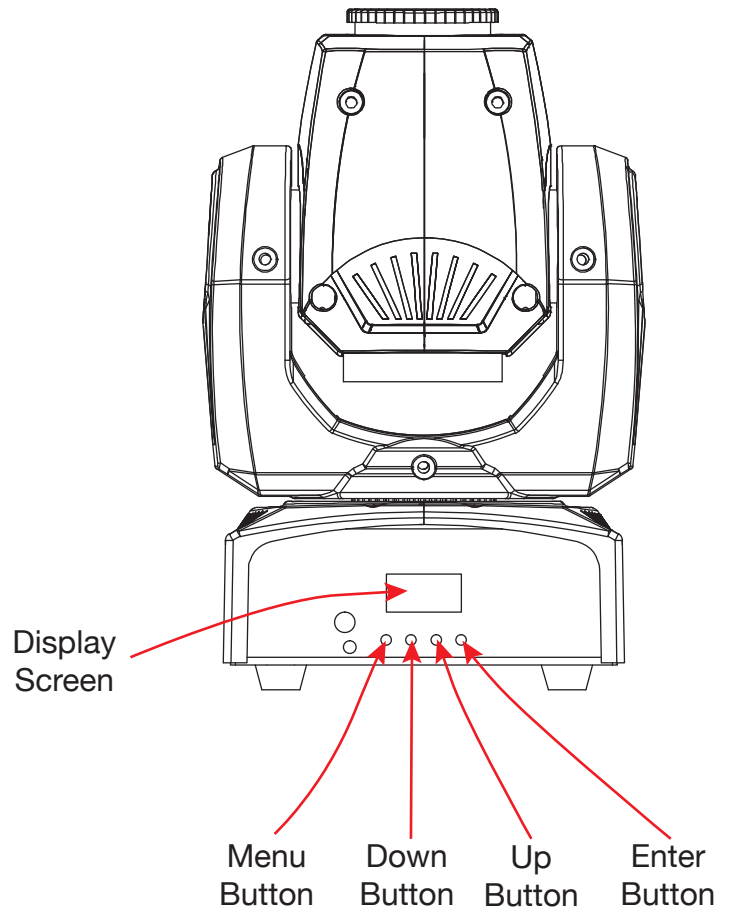
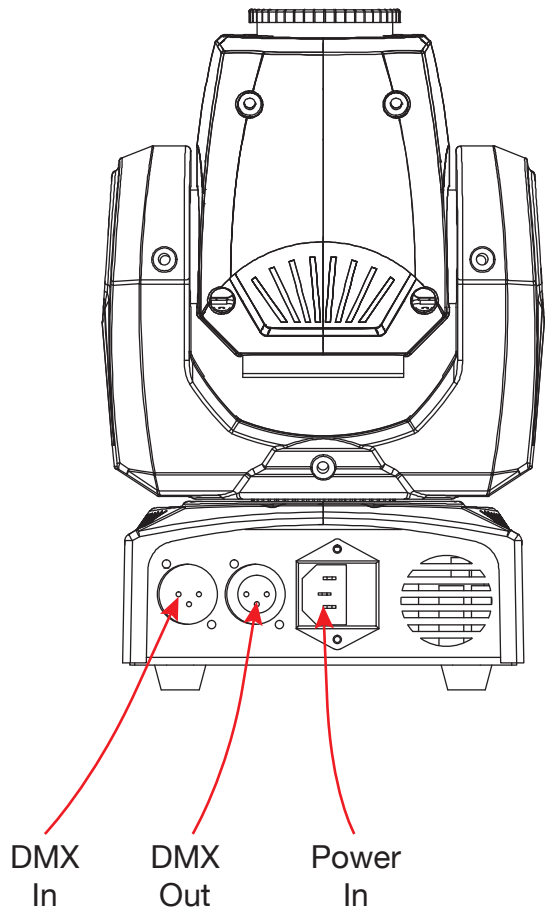
**NEVER LOOK DIRECTLY INTO THE LIGHT SOURCE!  
RETINA INJURY RISK - MAY INDUCE BLINDNESS!  
SENSITIVE PERSONS MAY SUFFER AN EPILEPTIC SHOCK!**

# SAFETY GUIDELINES

***THIS FIXTURE IS COMPOSED OF SOPHISTICATED ELECTRONIC COMPONENTS. TO GUARANTEE SMOOTH OPERATION, IT IS IMPORTANT TO FOLLOW ALL INSTRUCTIONS AND GUIDELINES IN THIS MANUAL. ADJ PRODUCTS, LLC IS NOT RESPONSIBLE FOR INJURY AND/OR DAMAGES RESULTING FROM THE MISUSE OF THIS FIXTURE DUE TO THE DISREGARD OF THE INFORMATION PRINTED IN THIS MANUAL. ONLY QUALIFIED AND/OR CERTIFIED PERSONNEL SHOULD PERFORM INSTALLATION OF THIS FIXTURE AND ONLY THE ORIGINAL RIGGING PARTS INCLUDED WITH THIS FIXTURE SHOULD BE USED FOR INSTALLATION. ANY MODIFICATIONS TO THE FIXTURE AND/OR THE INCLUDED MOUNTING HARDWARE WILL VOID THE ORIGINAL MANUFACTURER'S WARRANTY AND INCREASE THE RISK OF DAMAGE AND/OR PERSONAL INJURY. ONLY CERTIFIED PERSONNEL SHOULD PERFORM INSTALLATION OF THIS FIXTURE.***

- PROTECTION CLASS 1 - FIXTURE MUST BE PROPERLY GROUNDED.
- THERE ARE NO USER SERVICEABLE PARTS INSIDE THIS UNIT.
- DO NOT ATTEMPT ANY REPAIRS YOURSELF; DOING SO WILL VOID YOUR MANUFACTURER'S WARRANTY. DAMAGES RESULTING FROM MODIFICATIONS TO THIS FIXTURE AND/OR THE DISREGARD OF SAFETY INSTRUCTIONS AND GUIDELINES IN THIS MANUAL VOID THE MANUFACTURER'S WARRANTY AND ARE NOT SUBJECT TO ANY WARRANTY CLAIMS AND/OR REPAIRS.
- DO NOT PLUG FIXTURE INTO A DIMMER PACK!
- NEVER OPEN THIS FIXTURE WHILE IN USE!
- UNPLUG POWER BEFORE SERVICING FIXTURE!
- NEVER TOUCH FIXTURE DURING OPERATION, AS IT MAY BE HOT!
- KEEP FLAMMABLE MATERIALS AWAY FROM FIXTURE!
- NEVER LOOK DIRECTLY INTO THE LIGHT SOURCE!
- RETINA INJURY RISK - MAY INDUCE BLINDNESS!
- SENSITIVE PERSONS MAY SUFFER AN EPILEPTIC SHOCK!
- MINIMUM DISTANCE TO OBJECTS/SURFACES IS 6.6 FEET (2 METERS)
- **MAXIMUM AMBIENT TEMPERATURE IS 77° F (25°C). DO NOT OPERATE THE DEVICE WHEN AMBIENT TEMPERATURE EXCEEDS THIS VALUE.**
- **MINIMUM DISTANCE TO FLAMMABLE MATERIALS FROM THE SURFACE IS 1.6 FEET (0.5 METER).**
- DO NOT TOUCH the fixture housing during operation. Turn OFF the power and allow approximately 60 minutes for the fixture to cool down before servicing.
- DO NOT shake fixture, and avoid brute force when installing and/or operating fixture.
- DO NOT operate fixture if the power cord is frayed, crimped, damaged and/or if any of the power cord connectors are damaged and do not insert into the fixture securely with ease. NEVER force a power cord connector into the fixture. If the power cord or any of its connectors are damaged, replace it immediately with a new one of the same power rating.
- DO NOT block any air ventilation slots. All fan and air inlets must remain clean and never blocked. Allow approx. 6" (15cm) between fixture and other devices or a wall for proper cooling.
- When installing fixture in a suspended environment, always use mounting hardware that is no less than M10 x 25 mm, and always install fixture with an appropriately rated safety cable.
- Always disconnect fixture from main power source before performing any type of service and/or cleaning procedure.
- Only handle the power cord by the plug end. Never pull out the plug by tugging the wire portion of the cord.
- During the initial operation of this fixture, a light smoke or smell may emit from the interior of the fixture. This is a normal process and is caused by excess paint in the interior of the casing burning off from the heat associated with the lamp and will decrease gradually over time.
- Consistent operational breaks will ensure fixture will function properly for many years.
- ONLY use original packaging and materials to transport the fixture for service.

# OVERVIEW





# INSTALLATION



## FLAMMABLE MATERIAL WARNING

Keep fixture minimum 5.0 feet (1.5m) away from flammable materials and/or pyrotechnics.



## ELECTRICAL CONNECTIONS

A qualified electrician should be used for all electrical connections and/or installations.



**MINIMUM DISTANCE TO OBJECTS/SURFACES IS 6.6 FEET (2 METERS).**

**MINIMUM DISTANCE OF FLAMMABLE MATERIALS FROM THE SURFACE IS 1.6 FEET (0.5 METERS)**



**DEVICE IS INTENDED FOR INDOOR USE ONLY! OUTDOOR INSTALLATION OR EXPOSURE TO RAIN OR MOISTURE CAN DAMAGE THE DEVICE AND VOID YOUR MANUFACTURER'S WARRANTY!**

## DO NOT INSTALL THE FIXTURE IF YOU ARE NOT QUALIFIED TO DO SO!

- Fixture **MUST** be installed following all local, national, and country commercial electrical and construction codes and regulations.
- Before rigging/mounting a single fixture or multiple fixtures to any metal truss/structure or placing the fixture(s) on any surface, a professional equipment installer **MUST** be consulted to determine if the metal truss/structure or surface is properly certified to safely hold the combined weight of the fixture(s), clamps, cables, and accessories.
- Maximum fixture ambient operating temperature is **77°F (25°C)**. Do not use operate the fixture when ambient temperature exceeds this value!
- Fixture(s) should be installed outside walking paths, seating areas, or areas were unauthorized personnel might reach the fixture by hand.
- **NEVER** stand directly below the fixture(s) when rigging, removing, or servicing.
- Overhead fixture installation must always be secured with a secondary safety attachment, such as an appropriately rated safety cable.
- Allow approximately 60 minutes for the fixture to cool down before servicing.

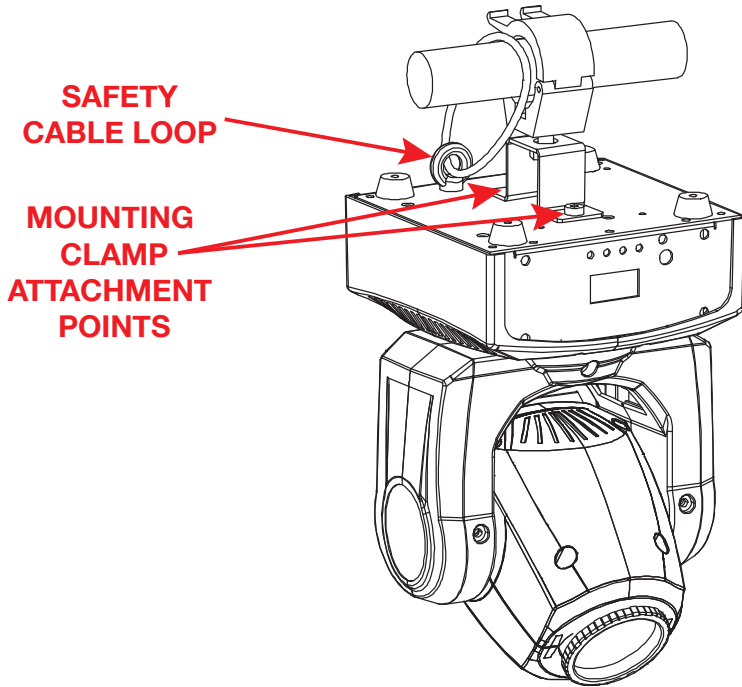
## RIGGING

**Overhead rigging requires extensive experience, including calculating working load limits, knowledge about installation materials being used, and periodic safety inspection of all installation material and the fixture, among other skills. If you lack these qualifications, do not attempt the installation yourself. Improper installation can result in bodily injury.**

# INSTALLATION

## CLAMP INSTALLATION

This fixture features mounting clamp attachment points for the fitment of an omega bracket, as well as a safety cable loop, located on the underside of the fixture base, as shown in the illustration below. When mounting the fixture to a truss or any other suspended or overhead installation, be sure to secure an appropriately rated clamp (**not included**) to the clamp attachment point and attach a separate **SAFETY CABLE** of the appropriate safety rating to the safety cable rigging point.



## SAFETY CABLE

**ALWAYS ATTACH A SAFETY CABLE WHENEVER INSTALLING THIS FIXTURE IN A SUSPENDED ENVIRONMENT TO ENSURE THAT THE FIXTURE WILL NOT FALL IF THE CLAMP FAILS.**

## RIGGING

Overhead rigging requires extensive experience, including but not limited to: calculating working load limits, understanding the installation material being used, and periodic safety inspection of all installation material and the fixture itself. If you lack these qualifications, do not attempt to perform the installation yourself. Improper installation can result in bodily injury.

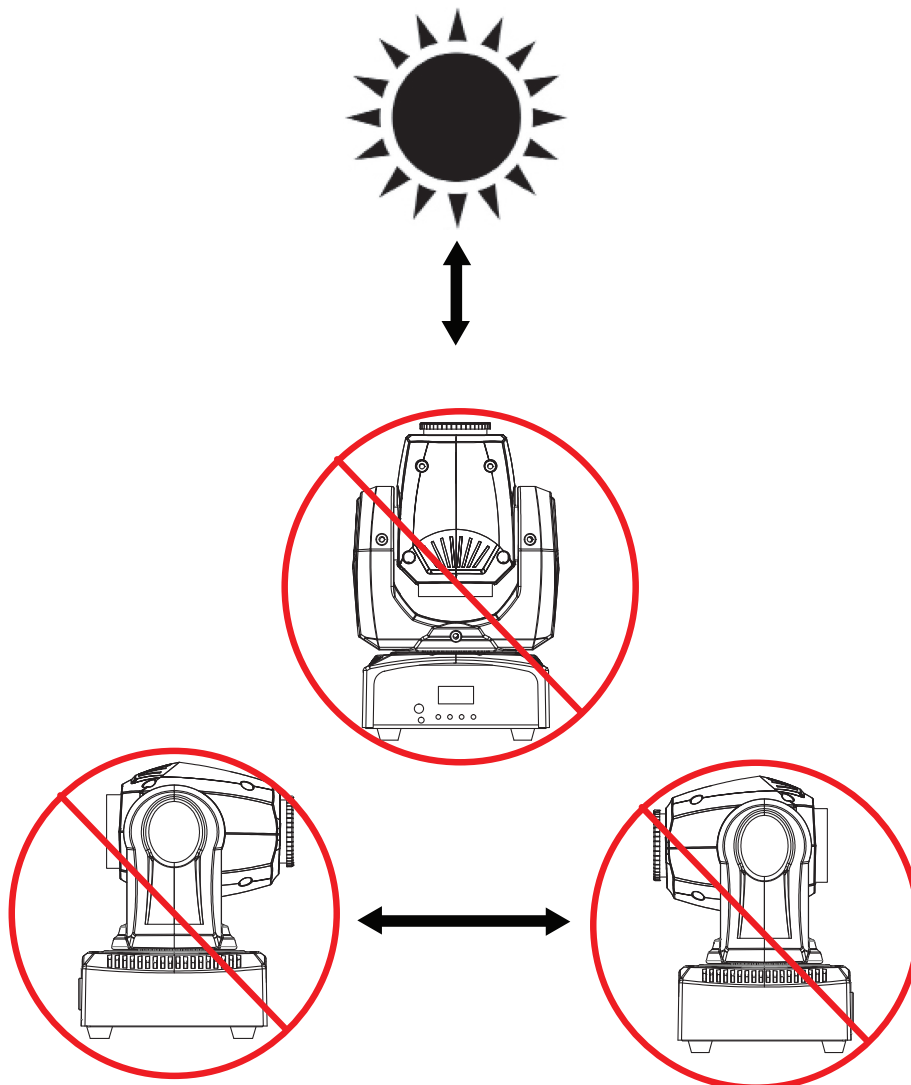
# INSTALLATION

## POTENTIAL INTERNAL FIXTURE DAMAGE FROM EXTERNAL SOURCES OF LIGHT BEAMS

External sources of light beams from direct sunlight, lighting moving head fixtures, and lasers which are focused directly towards the exterior housing and/or penetrate the front lens opening of Eliminator lighting fixtures can cause severe internal damage, including burning of optics, dichroic color filters, glass and metal gobos, prisms, animation wheels, frost filters, irises, shutters, motors, belts, wiring, discharge lamps, and LEDs.

This issue is not unique to Eliminator lighting fixtures, but rather it is a common issue with lighting fixtures from all manufacturers. Although there is no true way to completely prevent this issue from happening, the guidelines below can reduce the risk of any potential damage if followed. Contact ADJ Service for more details.

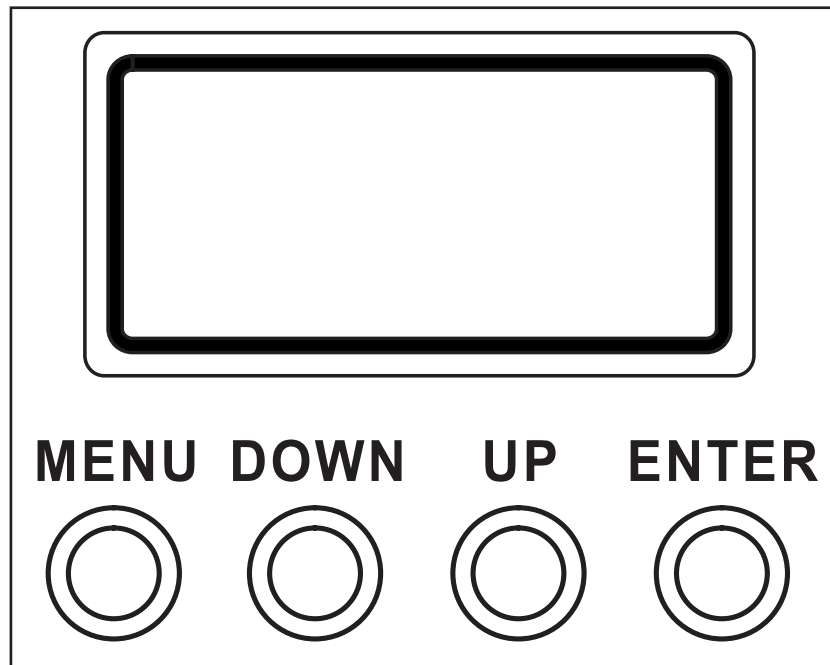
**DO NOT EXPOSE THE FIXTURE AND/OR FRONT LENS OPENING TO LIGHT BEAMS FROM DIRECT SUNLIGHT, OTHER LIGHTING OR MOVING HEAD FIXTURES, AND LASERS DURING UNPACKING, INSTALLATION, USE, AND EXTENDED IDLE TIMES OUTDOORS. DO NOT FOCUS A LIGHT BEAM FROM ONE LIGHTING FIXTURE DIRECTLY TOWARDS ANOTHER.**



# CONTROL PANEL

The fixture includes an easy to navigate system menu control panel display where all necessary settings and adjustments are made. (See image below)

- **MODE:** Cycles through the main menu options and/or return to previous menu without making changes.
- **DOWN/UP:** Scroll through options in the selected menu.
- **ENTER:** Select highlighted option and/or confirm selection.



# SYSTEM MENU

<b>1 Addr</b>	001 - 512		Set DMX address.
<b>2 Ch Md</b>	4CH		Select DMX channel mode.
	12CH		
<b>3 Pr Md</b>	Pri		Run unit in primary mode.
	Sec		Run unit in secondary mode.
<b>4 SH Md</b>	001		Select internal program.
	002		
	003		
	004		
	005		
	006		
	007		
	008		
	SPEd	0 - 10	Show speed, slow to fast, default = 5
<b>5 Soun</b>	Off / On		Sound reaction mode.
<b>6 PAN</b>	Off / On		Pan (x-axis) inversion.
<b>7 TILT</b>	Off / On		Tilt (y-axis) inversion.
<b>8 Tar T</b>	Off / On		Enable/disable Target Modes.
<b>9 dISP</b>	Off / On		Enable/disable display inversion.
<b>10 MIC</b>	000 - 100		Adjust sound sensitivity.
<b>11 dFSE</b>	Off / On		Default to factory settings.
<b>12 Adt</b>	Delt		Clear pan/tilt home positions.
	P	0 - 120	Pan home position.
	t	0 - 120	Tilt home position.
	C	0 - 120	Color home position.
	g	0 - 120	Gobo home position.
<b>13 rST</b>			Reset motors.

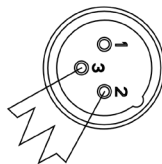
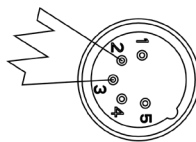
# DMX SETUP

**DMX-512:** DMX is short for Digital Multiplex. This is a universal protocol used as a form of communication between intelligent fixtures and controllers. A DMX controller sends DMX data instructions from the controller to the fixture. DMX data is sent as serial data that travels from fixture to fixture via the DATA “IN” and DATA “OUT” XLR terminals located on all DMX fixtures (most controllers only have a DATA “OUT” terminal).

**DMX Linking:** DMX is a language allowing all makes and models of different manufacturers to be linked together and operate from a single controller, as long as all fixtures and the controller are DMX compliant. To ensure proper DMX data transmission, try to use the shortest cable path possible when linking several DMX fixtures. The order in which fixtures are connected in a DMX line does not influence the DMX addressing. For example, a fixture assigned a DMX address of 1 may be placed anywhere in a DMX line: at the beginning, at the end, or anywhere in the middle. When a fixture is assigned a DMX address of 1, the DMX controller knows to send DATA assigned to address 1 to that unit, no matter where it is located in the DMX chain.

**Data Cable (DMX Cable) Requirements (For DMX Operation):** The unit can be controlled via DMX-512 protocol, and features multiple DMX channel modes. Your unit and your DMX controller require a 3-pin XLR connector for data input and data output. If you are making your own cables, be sure to use standard 110-120 Ohm shielded cable (This cable may be purchased at almost all professional lighting stores). Your cables should be made with a male XLR connector at one end and a female XLR connector at the other. Also remember that DMX cable must be daisy chained and cannot be split.

**Special Note: Line Termination.** When longer runs of cable are used, you may need to use a terminator on the last unit to avoid erratic behavior. A terminator is a 110-120 ohm 1/4 watt resistor which is connected between pins 2 and 3 of a male XLR connector (DATA + and DATA -). This unit is inserted in the female XLR connector of the last unit in your daisy chain to terminate the line. Using a cable terminator (ADJ part number Z-DMX/T) will decrease the chances of erratic behavior.



A DMX512 terminator reduces signal errors, avoiding most signal reflection interference. Connect PIN 2 (DMX-) and PIN 3 (DMX+) of the last fixture in series with a 120 Ohm, 1/4 W Resistor to terminate the DMX512.

# DMX SETUP

**5-Pin XLR DMX Connectors.** Some manufacturers use 5-pin DMX-512 data cables for DATA transmission in place of 3-pin. 5-pin DMX fixtures may be implemented in a 3-pin DMX line. When inserting standard 5-pin data cables into a 3-pin line a cable adaptor must be used. These adaptors are readily available at most electronics stores. The chart below details a proper cable conversion.

<b>3-Pin XLR to 5-Pin XLR Conversion</b>		
Conductor	3-Pin XLR Female (Out)	5-Pin XLR Male (In)
Ground/Shield	Pin 1	Pin 1
Data Compliment (- signal)	Pin 2	Pin 2
Data True (+ signal)	Pin 3	Pin 3
Not Used		Do Not Use
Not Used		Do Not Use

## DMX ADDRESSING

All fixtures should be given a DMX starting address when operating with a DMX controller, in order to ensure that the correct fixture responds to the correct control signal. This digital starting address is the channel number from which the fixture starts to “listen” to the digital control signal sent out from the DMX controller. The starting DMX address is configured by setting the correct DMX address on the control panel display on the fixture.

You can set the same starting address for multiple fixtures, or set different addresses for each individual fixture. Setting multiple fixtures to the same DMX address will cause all those fixtures to react in the same way. In this case, please note that changing the settings of one channel will affect all the fixtures simultaneously.

If you set each fixture to a different DMX address, each unit will start to “listen” to the channel number you have set, based on the quantity of DMX channels of each fixture. That means changing the settings of one channel will only affect the selected fixture.

As an example, when operating this device in 4 channel mode, you should set the starting DMX address of the first unit to 1, the second unit to 5 (1 + 4), the third unit to 9 (1 + 4 + 4), and so on. (See the chart below for more details.)

Channel Mode	Unit 1 Address	Unit 2 Address	Unit 3 Address	Unit 4 Address
4Ch	1	5	9	13
12Ch	1	13	25	37

# DMX TRAITS

CHANNEL		DMX VALUES	FUNCTION
4CH	12CH		
1	1	000 - 255	<b>Pan</b>
	2	000 - 255	<b>Pan Fine</b>
2	3	000 - 255	<b>Tilt</b>
	4	000 - 255	<b>Tilt Fine</b>
	5		<b>Color</b>
		000 - 007	Open (White)
		008 - 014	Red
		015 - 021	Orange
		022 - 028	Yellow
		029 - 035	Green
		036 - 042	Blue
		043 - 049	Cyan
		050 - 056	Magenta
		057 - 068	Magenta - Cyan
		069 - 080	Cyan - Blue
		081 - 092	Blue - Green
		093 - 104	Green - Yellow
		105 - 116	Yellow - Orange
		117 - 127	Orange - Red
	128 - 255	Color Wheel Scroll, fast to slow	
	6		<b>Gobos</b>
		000 - 011	Open (Spot)
		012 - 023	Gobo1
		024 - 035	Gobo2
		036 - 047	Gobo3
		048 - 059	Gobo4
		060 - 071	Gobo5
		072 - 083	Gobo6
		084 - 095	Gobo7
		096 - 111	Gobo1 Shake, slow to fast
		112 - 127	Gobo2 Shake, slow to fast
		128 - 143	Gobo3 Shake, slow to fast
		144 - 159	Gobo4 Shake, slow to fast
		160 - 175	Gobo5 Shake, slow to fast
		176 - 191	Gobo6 Shake, slow to fast
	192 - 255	Gobo Scroll, slow to fast	

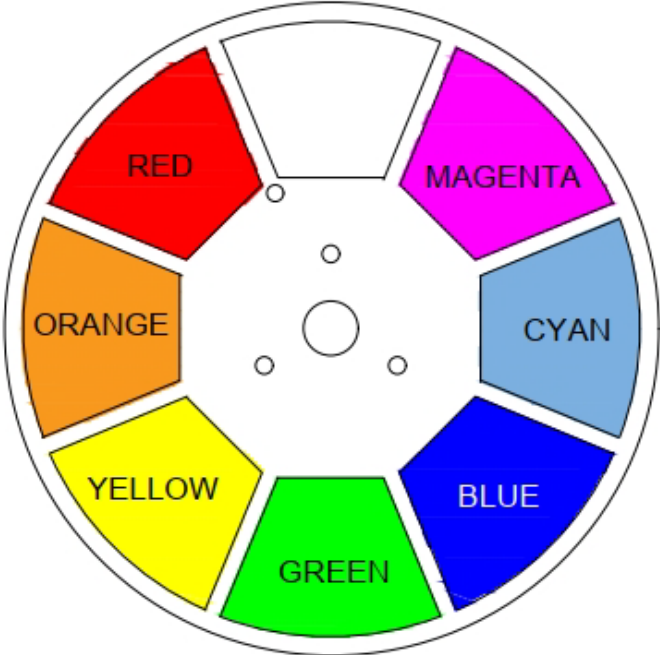
CONTINUED ON NEXT PAGE



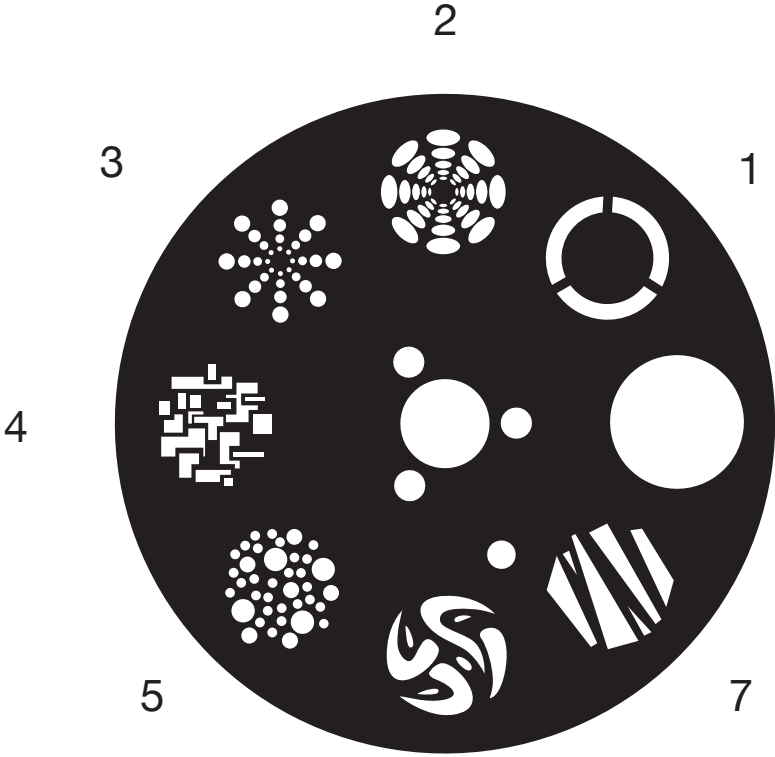
# DMX TRAITS

CHANNEL		DMX VALUES	FUNCTION
4CH	12CH		
	7		<b>Shutter</b>
		000 - 004	Shutter Closed
		005 - 250	Strobe Effect, slow to fast
		251 - 255	Shutter Open
	8	000 - 255	<b>Dimmer</b> , 0% to 100%
3	9		<b>Programs</b>
		000 - 007	Empty
		008 - 047	Auto Play 1
		048 - 087	Auto Play 2
		088 - 127	Auto Play 3
		128 - 167	Auto Play 4
		168 - 207	Auto Play 5
		208 - 247	Auto Play 6
	248 - 255	Color/Gobo Sound Control	
	10	000 - 255	<b>Pan/Tilt Speed</b>
4	11		<b>Pan/Tilt Programs</b>
		000 - 007	Empty
		008 - 032	Pan/Tilt Auto Run 1
		033 - 058	Pan/Tilt Auto Run 2
		059 - 084	Pan/Tilt Auto Run 3
		085 - 110	Pan/Tilt Auto Run 4
		111 - 136	Pan/Tilt Auto Run 5
		137 - 162	Pan/Tilt Auto Run 6
		163 - 188	Pan/Tilt Auto Run 7
		189 - 214	Pan/Tilt Auto Run 8
		215 - 240	Pan/Tilt Auto Run 9
	241 - 255	Pan/Tilt Sound Control	
	12		<b>Reset</b>
		000 - 250	No function
		251 - 255	Reset (10s)

# COLOR WHEEL



# GOBOS



# CLEANING AND MAINTENANCE

***DISCONNECT POWER BEFORE PERFORMING ANY MAINTENANCE!***

## **CLEANING**

Frequent cleaning is recommended to ensure proper function, optimized light output, and an extended life. The frequency of cleaning depends on the environment in which the fixture operates: damp, smoky, or particularly dirty environments can cause greater accumulation of dirt on the fixture's optics. Clean the external lens surface periodically with a soft cloth to avoid dirt/debris accumulation.

**NEVER** use alcohol, solvents, or ammonia-based cleaners.

## **MAINTENANCE**

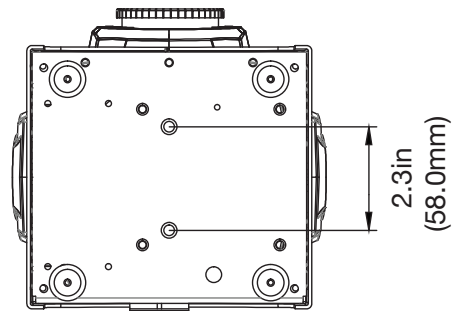
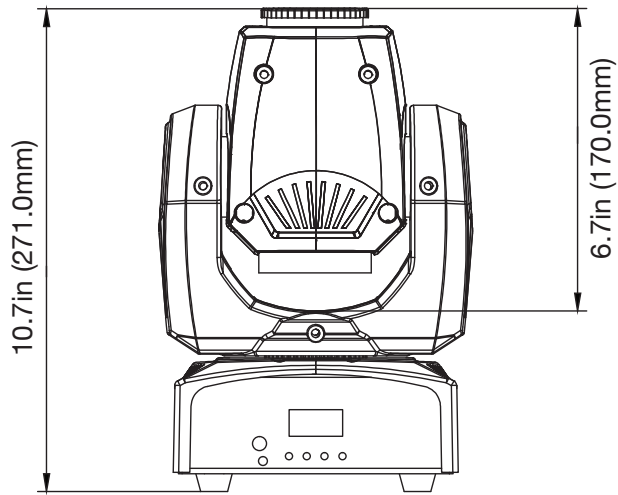
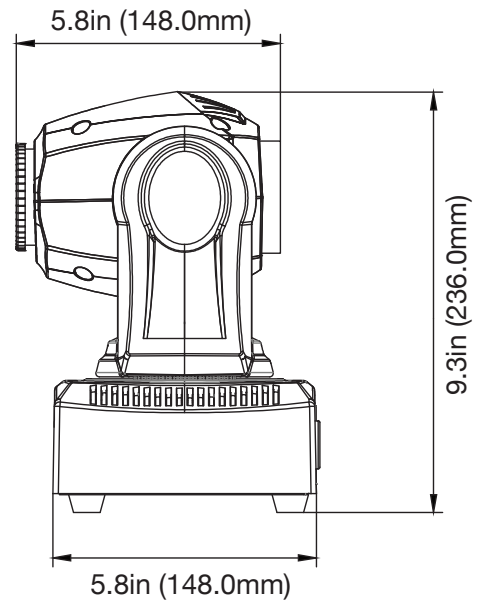
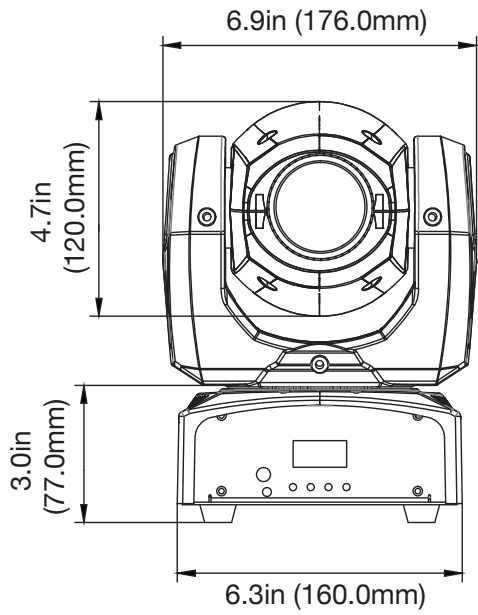
Regular inspections are recommended to ensure proper function and extended life. There are no user serviceable parts inside this fixture. Please refer all other service issues to an authorized ADJ service technician. Should you need any spare parts, please order genuine parts from your local ADJ dealer.

Please refer to the following points during routine inspections:

- A detailed electrical check by an approved electrical engineer every three months, to make sure the circuit contacts are in good condition and prevent overheating.
- Be sure all screws and fasteners are securely tightened at all times. Loose screws may fall out during normal operation, resulting in damage or injury as larger parts could fall.
- Check for any deformations on the housing, color lenses, rigging hardware, and rigging points (ceiling, suspension, trussing). Deformations in the housing could allow for dust or liquids to enter into the fixture. Damaged rigging points or unsecured rigging could cause fixture to fall and seriously injure a person(s).
- Electric power supply cables must not show any damage, material fatigue, or sediments.

**NEVER** remove the ground prong from the power cable.

# DIMENSIONAL DRAWINGS



# SPECIFICATIONS

## **Model:**

<b>Model:</b>	<b>Stinger Spot 30</b>
Input power:	AC100-240V 50/60 Hz
Power consumption:	42 W
Output LUX:	Max 1700 LUX at 3 meters
LED:	1PCS 30W high power white LED
DMX channel:	4/12channels
Movement:	Pan/Tilt - X axis 540 degrees, Y axis 190 degree
Control mode:	DMX512 / Primary-Secondary / Auto run / sound
Display:	LED display
Color wheel:	7 color + open, rainbow - flow effect
Gobo wheel:	7 gobo +open, gobo - flow effect, gobo shake
Internal Programs:	8 internal programs, DMX-controlled sound mode
Beam angle:	13 degree
Net Weight:	5.5 lbs (2.5kgs)
Gross Weight:	7.7 lbs (3.5kgs)
Size:	12.8" x 9.8" x 10.6" (325mm x 250mm X 270 mm)
Packing size:	17.3" x 11.6" x 10.8" (440mm x 295mm x 275mm) (2pcs)

