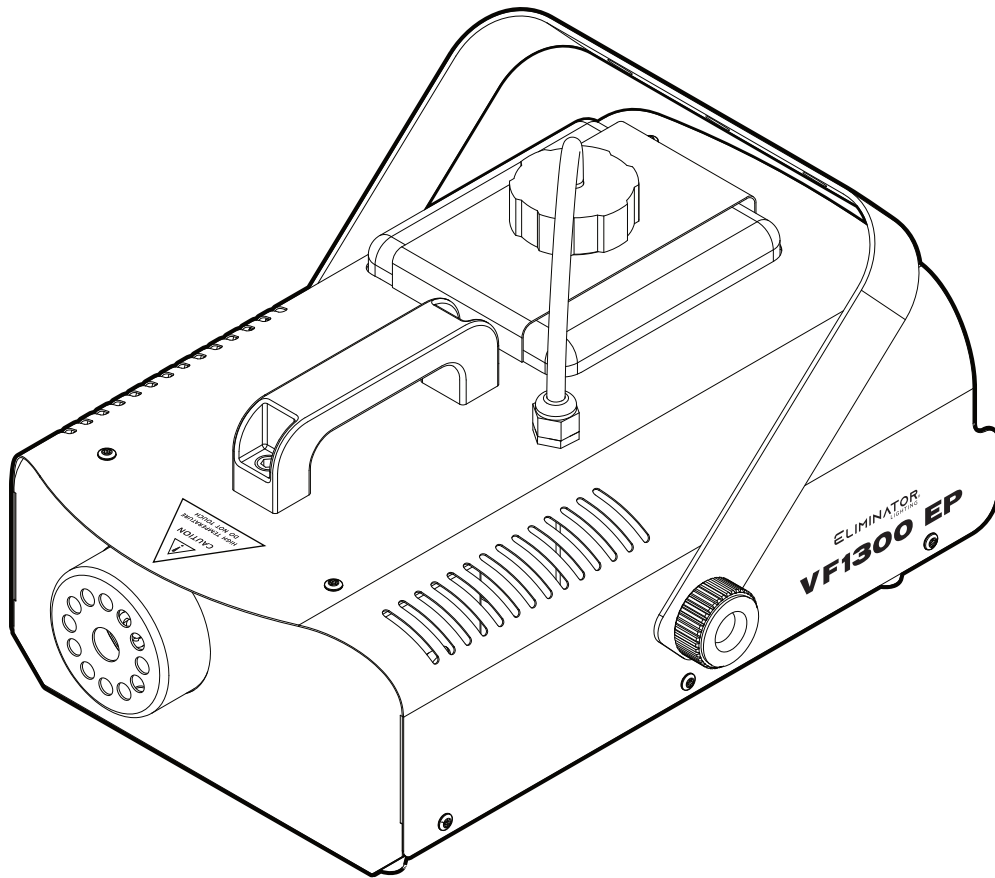


# ELIMINATOR<sup>®</sup>

## LIGHTING



Caution: Fog machines may set off smoke alarms!

## **VF1300 EP**

### User Instructions

©2023 ADJ Products, LLC all rights reserved. Information, specifications, diagrams, images, and instructions herein are subject to change without notice. Eliminator Lighting, ADJ Products, LLC logo and identifying product names and numbers herein are trademarks of ADJ Products, LLC. Copyright protection claimed includes all forms and matters of copyrightable materials and information now allowed by statutory or judicial law or hereinafter granted. Product names used in this document may be trademarks or registered trademarks of their respective companies and are hereby acknowledged. All non-ADJ Products, LLC brands and product names are trademarks or registered trademarks of their respective companies.

**ADJ Products, LLC** and all affiliated companies hereby disclaim any and all liabilities for property, equipment, building, and electrical damages, injuries to any persons, and direct or indirect economic loss associated with the use or reliance of any information contained within this document, and/or as a result of the improper, unsafe, insufficient and negligent assembly, installation, rigging, and operation of this product.

**ADJ PRODUCTS LLC World Headquarters**

6122 S. Eastern Ave. | Los Angeles, CA 90040 USA

Tel: 800-322-6337 | Fax: 323-582-2941 | [www.adj.com](http://www.adj.com) | [support@adj.com](mailto:support@adj.com)

**ADJ Supply Europe B.V.**

Junostraat 2 | 6468 EW Kerkrade | Netherlands

Tel: +31 45 546 85 00 | Fax: +31 45 546 85 99 | [www.adj.eu](http://www.adj.eu) | [service@adj.eu](mailto:service@adj.eu)

Europe Energy Saving Notice

Energy Saving Matters (EuP 2009/125/EC)

Saving electric energy is a key to help protecting the environment. Please turn off all electrical products when they are not in use. To avoid power consumption in idle mode, disconnect all electrical equipment from power when not in use. Thank you!

**DOCUMENT VERSION**

Due to additional product features and/or enhancements, an updated version of this document may be available online.

Please check <https://www.adj.com/eliminator-lighting> for the latest revision/update of this manual before beginning installation and/or programming.

Date	Document Version	Notes
01/08/2024	1	Initial Version

# CONTENTS

<b>General Information</b>	<b>4</b>
<b>Limited Warranty (USA Only)</b>	<b>5</b>
<b>Safety Guidelines</b>	<b>6</b>
<b>Overview</b>	<b>7</b>
<b>Setup   Remote Operation</b>	<b>8</b>
<b>Timer Remote</b>	<b>9</b>
<b>Cleaning, Maintenance, and Troubleshooting</b>	<b>10</b>
<b>Specifications</b>	<b>11</b>

# GENERAL INFORMATION

## INTRODUCTION

Please read and understand all instructions in this manual carefully and thoroughly before attempting to operate these products. These instructions contain important safety and use information.

## UNPACKING

The products in this kit have been thoroughly tested and have been shipped in perfect operating condition. Carefully check the shipping carton for damage that may have occurred during shipping. If the carton appears to be damaged, carefully inspect each unit included for damage and be sure all accessories necessary to operate the units have arrived intact. In the event damage has been found or parts are missing, please contact our customer support team for further instructions. Please do not return this kit to your dealer without first contacting customer support at the number listed below. Please do not discard the shipping carton in the trash. Please recycle whenever possible.

**SAFETY NOTICE! NEVER POINT OR AIM A FOG MACHINE TOWARDS PEOPLE OR THEIR CLOTHING. THIS UNIT EMITS HOT VAPOR AND SHOULD BE USED WITH THE SAME CARE THAT WOULD BE OBSERVED WHEN USING AN ELECTRIC KETTLE OR AN IRON.**

## CUSTOMER SUPPORT

### **ADJ PRODUCTS LLC World Headquarters**

6122 S. Eastern Ave. | Los Angeles, CA 90040 USA

Tel: 800-322-6337 | Fax: 323-582-2941 | [www.adj.com](http://www.adj.com) | [support@adj.com](mailto:support@adj.com)

### **ADJ Supply Europe B.V.**

Junostraat 2 | 6468 EW Kerkrade | Netherlands

Tel: +31 45 546 85 00 | Fax: +31 45 546 85 99 | [www.adj.eu](http://www.adj.eu) | [service@adj.eu](mailto:service@adj.eu)

## WARRANTY RETURNS

All returned service items whether under warranty or not, must be freight pre-paid and accompany a return authorization (R.A.) number. The R.A. number must be clearly written on the outside of the return package. A brief description of the problem as well as the R.A. number must also be written down on a piece of paper and included in the shipping container. If the unit is under warranty, you must provide a copy of your proof of purchase invoice. Items returned without a R.A. number clearly marked on the outside of the package will be refused and returned at customer's expense. You may obtain a R.A. number by contacting customer support.

## LIMITED WARRANTY (USA ONLY)

- A. Eliminator Lighting, an ADJ Products, LLC brand, hereby warrants, to the original purchaser, Eliminator Lighting products to be free of manufacturing defects in material and workmanship for a prescribed period from the date of purchase (see specific warranty period on reverse). This warranty shall be valid only if the product is purchased within the United States of America, including possessions and territories. It is the owner's responsibility to establish the date and place of purchase by acceptable evidence, at the time service is sought.
- B. For warranty service, you must obtain a Return Authorization number (RA#) before sending back the product—please contact ADJ Products, LLC Service Department at 800-322-6337. Send the product only to the Eliminator Lighting factory. All shipping charges must be pre-paid. If the requested repairs or service (including parts replacement) are within the terms of this warranty, Eliminator Lighting will pay return shipping charges only to a designated point within the United States. If the entire instrument is sent, it must be shipped in its original package. No accessories should be shipped with the product. If any accessories are shipped with the product, Eliminator Lighting shall have no liability whatsoever for loss of or damage to any such accessories, or for the safe return thereof.
- C. This warranty is void if the serial number has been altered or removed; if the product is modified in any manner which Eliminator Lighting concludes, after inspection, affects the reliability of the product, if the product has been repaired or service by anyone other than ADJ Products, LLC factory unless prior written authorization was issued to purchaser by Eliminator Lighting; if the product is damaged because not properly maintained as set forth in the instruction manual.
- D. This is not a service contract, and this warranty does not include maintenance, cleaning or periodic check up. During the period specified above, Eliminator Lighting will replace defective parts at its expense with new or refurbished parts, and will absorb all expenses for warranty service and repair labor by reason of defects in material or workmanship. The sole responsibility of Eliminator Lighting under this warranty shall be limited to the repair of the product, or replacement thereof, including parts, at the sole discretion of Eliminator Lighting. All products covered by this warranty were manufactured after August 15, 2012, and bear identifying marks to that effect.
- E. Eliminator Lighting reserves the right to make changes in design and/or improvements upon its products without any obligation to include these changes in any products theretofore manufactured.
- F. No warranty, whether expressed or implied, is given or made with respect to any accessory supplied with products described above. Except to the extent prohibited by applicable law, all implied warranties made by Eliminator Lighting in connection with this product, including warranties of merchantability or fitness, are limited in duration to the warranty period set forth above. And no warranties, whether expressed or implied, including warranties of merchantability or fitness, shall apply to this product after said period has expired. The consumer's and/or Dealer's sole remedy shall be such repair or replacement as is expressly provided above; and under no circumstances shall Eliminator Lighting be liable for any loss or damage, direct or consequential, arising out of the use of, or inability to use, this product.
- G. This warranty is the only written warranty applicable to Eliminator Lighting products and supersedes all prior warranties and written descriptions of warranty terms and conditions heretofore published.

### MANUFACTURER'S LIMITED WARRANTY PERIODS

- **Non L.E.D. Eliminator Lighting products** = 1-year (365 days) Limited Warranty (Such as: Special Effect Lighting, Intelligent Lighting, UV lighting, Strobes, Fog Machines, Bubble Machines, Mirror Balls, Par Cans, Trussing, Lighting Stands etc., excluding lamps)
- **L.E.D. Eliminator Lighting Products** = 2-year (730 days) Limited Warranty (excluding batteries which have a 180 day limited warranty). Note: 2 Year Warranty only applies to purchases within the United States.
- **Eliminator Laser Products** = 1 Year (365 Days) Limited Warranty (excluding laser diodes which have a 6 month limited warranty)

# SAFETY GUIDELINES

**FOR YOUR OWN PERSONAL SAFETY, PLEASE READ AND UNDERSTAND THIS MANUAL COMPLETELY BEFORE ATTEMPTING TO INSTALL OR OPERATE THIS UNIT!**

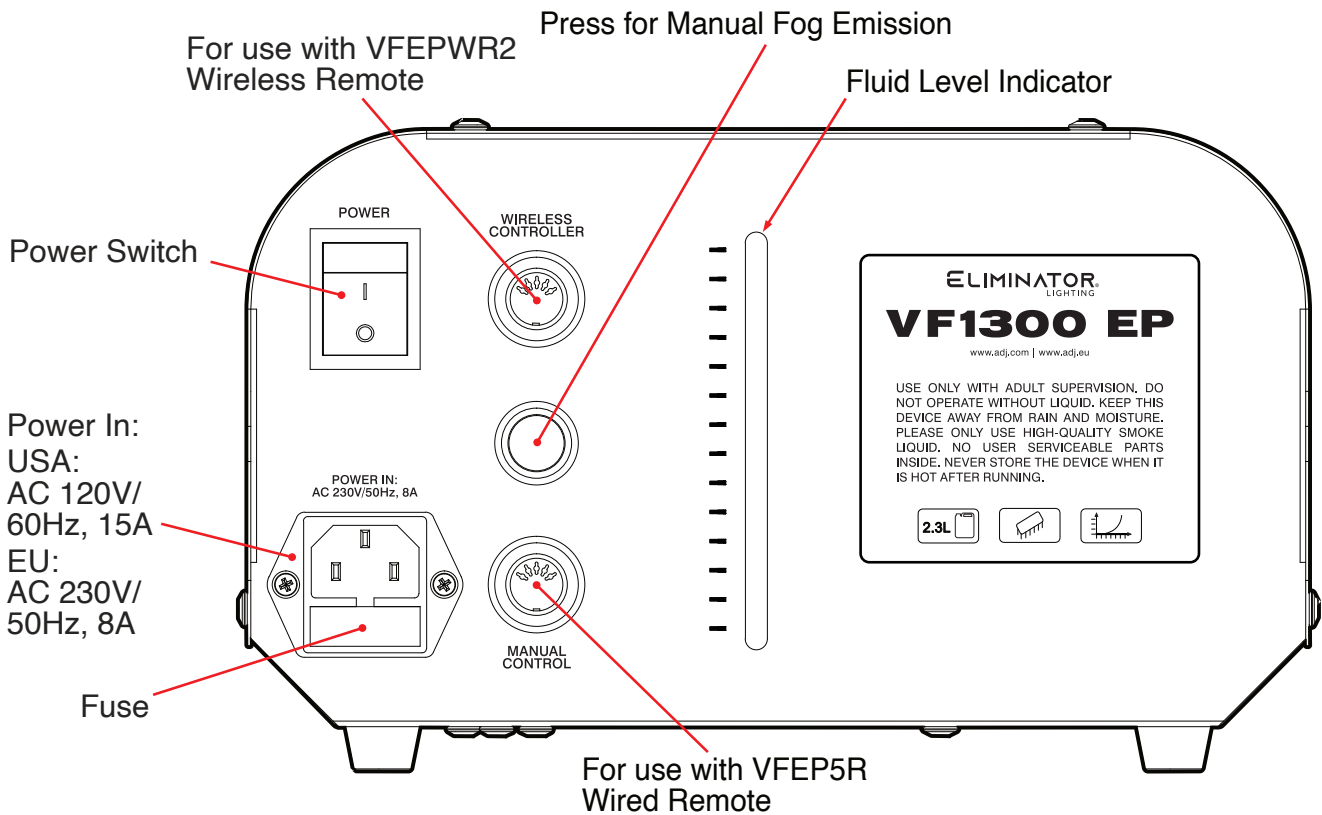
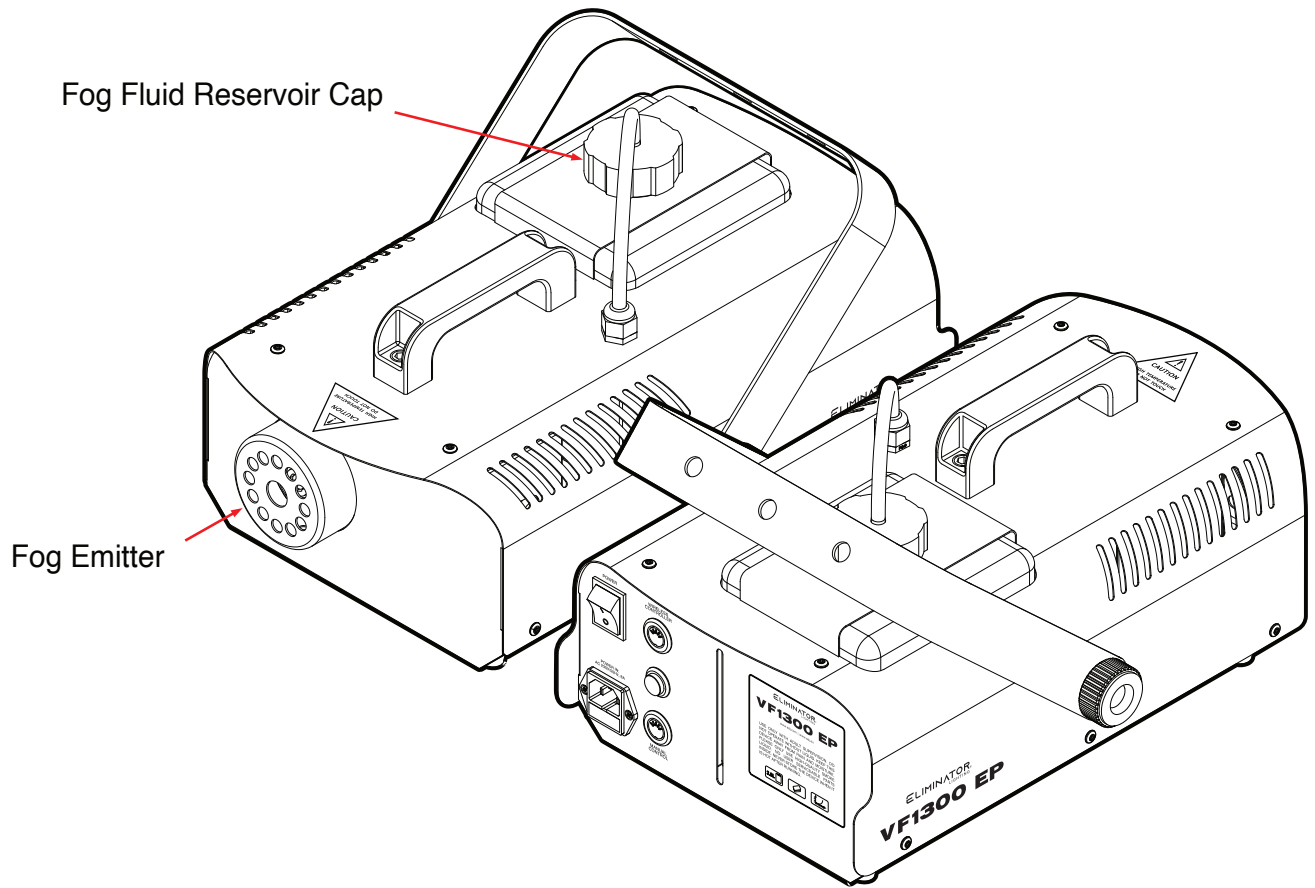
This fixture is a sophisticated piece of electronic equipment. To guarantee smooth operation, it is important to follow all instructions and guidelines in this manual. Eliminator is not responsible for injury and/or damages resulting from the misuse of this fixture due to the disregard of the information printed in this manual. Only qualified and/or certified personnel should perform the installation of this fixture, and only the original rigging parts included with this fixture should be used for installation. Any modifications to the fixture and/or the included mounting hardware will void the original manufacturer's warranty and increase the risk of damage and/or personal injury.

- If the unit needs to be returned to Eliminator for service, use only the original packaging and materials for shipping.
- To reduce the risk of electrical shock or fire, do not expose this unit to rain or moisture. Do not spill water or other liquids onto or into your device. Ensure that the fog fluid is contained inside the fluid reservoir only. Do not spill fog fluid onto other internal components of the device. Ensure that the power outlet used matches the device's required voltage.
- Do not remove the cover for any reason. There are no user-serviceable parts inside this device! Disconnect the unit from the main power when left unused for long periods of time.
- Never connect this device to a dimmer pack. Do not attempt to operate this unit if it has been damaged in any way. Never operate this unit with the cover removed. Do not attempt to operate this unit if the power cord has been frayed or broken. Do not attempt to remove or break off the ground prong from the electrical cord. This prong is used to reduce the risk of electrical shock and fire in the event of an internal short. Disconnect from the main power before attempting to make any type of connection.
- Never block the ventilation holes, and always be sure to mount this unit in an area that will allow proper ventilation. Allow at least 6" (15cm) clearance between this device and a wall. This unit is intended for indoor use only, and the use of this product outdoors voids all warranties.
- Follow proper storage guidelines when storing for extended periods. Always mount this unit in a safe and stable manner.
- Please route your power cord out of the path of foot traffic. Power cords should be routed so that they are not likely to be walked on or pinched by items placed upon or against them.
- The fixture should be serviced by qualified service personnel when:
  - The power-supply cord or the plug has been damaged.
  - Objects have fallen onto, or liquid has been spilled into, the unit.
  - The unit has been exposed to rain or water.
  - The unit does not appear to operate normally or exhibits a marked change in performance.

## DESCRIPTION

This device features a revolutionary new heating element specifically designed to prevent excessive particle build-up that can cause premature fogger failure. The fog machine has a wide-angle spray nozzle and a long-life pump, both specially designed for high-performance fogger output. Additionally, the fluid tank includes a fluid level sensor that automatically shuts down the device if low fluid level is detected, providing a safeguard against premature pump or device failure. A removable remote-control device is also included.

# OVERVIEW



# SETUP

1. Open the shipping carton and carefully remove the unit. Be sure to eliminate all packing material, paying particular attention to the area around the nozzle.
2. Place the machine on a flat, dry surface. Remove the included bracket from the packaging and attach it to the sides of the fog machine using the supplied hardware. Note that the bracket is easily detachable and is not required for tabletop usage. However, when the device is installed in a suspended environment, the bracket is necessary.
3. Fill the fog fluid reservoir with ADJ brand fog juice only, then replace the cap.
4. Firmly plug the remote-control unit into the remote control socket located on the back of the unit.
5. Plug the unit into a power supply that meets the voltage requirements. A red LED on the remote control will illuminate, indicating that the device is receiving power. The device will then begin warming up, a process that should take about 2-3 minutes. When warm-up is complete, the fluid reservoir will glow green, indicating that the unit is ready to emit fog.
6. Press the button on the remote to emit fog. Refer to the Remote Operation section of this manual for detailed information.

## REMOTE OPERATION

**Always ensure a sufficient supply of ADJ® Brand Fog Juice™ in the fluid reservoir. Running the fog machine dry can lead to pump failure or clogging, a common cause of fog machine malfunctions.**

### **Remote Operation:**

Begin by connecting the VFEP5R remote to the fog machine. Once the machine is plugged in and powered on, it will start warming up, a process taking approximately 2-3 minutes. After warming up, the fluid reservoir will glow green, indicating readiness to emit fog. To release fog, press and hold the button on the remote; the knob adjusts the fog output.

If the fluid reservoir is green, yet the unit fails to emit fog after pressing the button for 30 seconds, check that the fluid tank contains enough fog fluid.

**Caution: Disconnect from the power supply before removing or replacing the remote control unit.**

### **Wireless Remote Control:**

The VF1300 is operable with a wireless remote. Plug the receiver box into the wireless input. Select one of the four dip switches on the receiver, flip it to the ON position, and find the corresponding button on the remote with a matching dip switch number. The device will emit fog when this button is pressed.

For instance: If dip switch #3 is ON, button 3 on the wireless remote will control fog output.



# TIMER REMOTE

**VPEPT3 Timer Remote (Sold Separately):** Start by connecting the remote to the fog machine. The remote's timer function allows fog to be emitted at designated intervals and features three (3) LEDs indicating different functions:

- The YELLOW LED on the left signals the active timer.
- The RED LED indicates ongoing continuous fogging.
- The GREEN LED on the right is for manual fogging. Once the GREEN LED illuminates, press the button to initiate manual fogging.

The remote also includes two rotary knobs:

- The Duration knob adjusts the timer duration (length of time for fog output).
- The Interval knob sets the fog output intervals (length of time between fog output bursts).

**Caution: Disconnect the unit from power before removing or replacing the remote-control unit.**

# **CLEANING, & MAINTENANCE**

**WARNING! DISCONNECT THE UNIT FROM POWER BEFORE PERFORMING ANY CLEANING OR MAINTENANCE PROCEDURES!**

**ALWAYS ALLOW THE FIXTURE TO COOL FOR AT LEAST 15 MINUTES BEFORE PERFORMING ANY CLEANING OR MAINTENANCE!**

## **FUSE REPLACEMENT**

To replace the fuse, first, disconnect the unit from its power source and detach the power cord. After removing the cord, locate the fuse holder inside the power socket. Insert a flat-head screwdriver into the power socket and carefully remove the fuse holder. Replace the faulty fuse with a new one. Remember, the fuse holder also includes a space for a spare fuse.

## **MAINTENANCE**

For proper storage, keep your device in a cool area and cover it to prevent dust accumulation. If you plan to store it for extended periods, it's highly recommended to run the device at least once every 3-4 months. Prolonged inactivity can significantly reduce its lifespan. Always use water-based fog juice in your device; never use plain water, vinegar, or any other liquid solution. Running anything other than water-based fog juice will cause severe damage.

## **TROUBLESHOOTING**

For proper storage, keep your device in a cool area and cover it to prevent dust accumulation. If you plan to store it for extended periods, it's highly recommended that you run the device at least once every 3-4 months as prolonged inactivity can significantly reduce its lifespan. Always use water-based fog juice in your device; never use plain water, vinegar, or any other liquid solution. Running anything other than water-based fog juice will severely damage device.

# SPECIFICATIONS

- 1200W mobile Fog Machine
- High efficiency heater block burns through fog with less residue
- Electronic Thermo Sensing (ETS) for optimum heating levels
- LED heating indicator system in tank: Red = Heating; Green = Ready to use; Flashing = Fog fluid tank is low
- Low fog fluid shut off sensor to protect pump
- Warm-up time: 2-3 minutes
- Reheating Time: 17 Seconds
- Second Fog Shooting Time: Around 12 Seconds
- Output: 12,000 cubic ft. per min
- External fog fluid tank: 2.3 Liter
- Includes Eliminator VFEP5R wired remote
- Includes Eliminator VFEPW2 wireless remote
- Includes IEC power cable
- Optional VPEPT3 timer remote sold separately
- Fog output switch on rear panel
- Only use high quality, water-based fog fluid
- Dimensions (LxWxH): 16.06" x 11.61" x 12.95" / 408x295x329mm
- Weight: 9.25lbs. / 4.15 kgs.

**Recommended Fog Juice:** Kool Fog (dense fog juice); F4L Premium, F1L Premium.

# DIMENSION DRAWINGS

Drawings not to scale

