



# **EVENT FACADE 2**

User Manual

©2023 ADJ Products, LLC all rights reserved. Information, specifications, diagrams, images, and instructions herein are subject to change without notice. ADJ Products, LLC logo and identifying product names and numbers herein are trademarks of ADJ Products, LLC. Copyright protection claimed includes all forms and matters of copyrightable materials and information now allowed by statutory or judicial law or hereinafter granted. Product names used in this document may be trademarks or registered trademarks of their respective companies and are hereby acknowledged. All non-ADJ Products, LLC brands and product names are trademarks or registered trademarks of their respective companies.

**ADJ Products, LLC** and all affiliated companies hereby disclaim any and all liabilities for property, equipment, building, and electrical damages, injuries to any persons, and direct or indirect economic loss associated with the use or reliance of any information contained within this document, and/or as a result of the improper, unsafe, insufficient and negligent assembly, installation, rigging, and operation of this product.

### **ADJ PRODUCTS LLC World Headquarters**

6122 S. Eastern Ave. | Los Angeles, CA 90040 USA

Tel: 800-322-6337 | Fax: 323-582-2941 | [www.adj.com](http://www.adj.com) | [lsupport@adj.com](mailto:lsupport@adj.com)

### **ADJ Supply Europe B.V.**

Junostraat 2 | 6468 EW Kerkrade | Netherlands

Tel: +31 45 546 85 00 | Fax: +31 45 546 85 99 | [www.adj.eu](http://www.adj.eu) | [service@adj.eu](mailto:service@adj.eu)

### **Europe Energy Saving Notice**

Energy Saving Matters (EuP 2009/125/EC)

Saving electric energy is a key to help protecting the environment. Please turn off all electrical products when they are not in use. To avoid power consumption in idle mode, disconnect all electrical equipment from power when not in use. Thank you!

## **DOCUMENT VERSION**



Due to additional product features and/or enhancements, an updated version of this document may be available online.

Please check [www.adj.com](http://www.adj.com) for the latest revision/update of this manual before beginning installation and/or programming.

<b>Date</b>	<b>Document Version</b>	<b>Software Version</b>	<b>DMX Channels</b>	<b>Notes</b>
08/02/2023	1.0	N/A	N/A	Initial release

# CONTENTS

<b>General Information</b>	<b>4</b>
<b>Limited Warranty (USA Only)</b>	<b>5</b>
<b>Warranty Registration</b>	<b>6</b>
<b>Installation</b>	<b>7</b>
<b>Cleaning   Dimensional Drawings</b>	<b>8</b>
<b>Specifications   Optional Accessories</b>	<b>9</b>

# GENERAL INFORMATION

## INTRODUCTION

This device is a great solution to professionally conceal your DJ equipment and create an elegant professional look at the same time. Perfect for anyone looking for a lightweight, portable, and fast set-up facade to enhance their image. This device includes a lightweight metal frame and fabric/scrim panel set. The stretchable fabric/scrim panels are easily removable for cleaning or can be interchanged for different black and white color panel combinations. Transportation and storage is also simple with the included zippered carry bag. No tools are required to set-up or break-down the device, and facade panels break down into individual pieces for easy transport.

## UNPACKING

Carefully check the shipping carton for damage that may have occurred during shipping. If the carton is damaged, carefully inspect the device for damage, and be sure all accessories necessary to install and operate the device have arrived intact. In the event that damage has been found or parts are missing, please contact our customer support team for further instructions. Please do not return this device to your dealer without first contacting customer support. Please do not discard the shipping carton in the trash. Please recycle whenever possible.

## BOX CONTENTS

Zippered Transport Carrying Bag (x1)  
Metal Top Section Frames (x4)  
Metal Bottom Section Frames (x4)  
White Fabric/Scrim Panels (x4)  
Black Fabric/Scrim Panels (x4)

## CUSTOMER SUPPORT

Contact ADJ Service for any product related service and support needs. Also visit [forums.adj.com](https://forums.adj.com) with questions, comments or suggestions.

**ADJ SERVICE USA** - Monday - Friday 8:00am to 4:30pm PST  
323-582-2650 | Fax: 323-832-2941 | [support@adj.com](mailto:support@adj.com)

**ADJ SERVICE EUROPE** - Monday - Friday 08:30 to 17:00 CET  
+31 45 546 85 60 | Fax: +31 45 546 85 96 | [support@adj.eu](mailto:support@adj.eu)

**REPLACEMENT PARTS** please visit [parts.adj.com](https://parts.adj.com)

## IMPORTANT NOTICE!

**THIS UNIT CONTAINS NO USER SERVICEABLE COMPONENTS. DO NOT ATTEMPT ANY REPAIRS YOURSELF, AS DOING SO WILL VOID YOUR MANUFACTURER'S WARRANTY. DAMAGES RESULTING FROM MODIFICATIONS TO THIS DEVICE AND/OR THE DISREGARD OF SAFETY INSTRUCTIONS AND GUIDELINES IN THIS MANUAL VOID THE MANUFACTURER'S WARRANTY AND ARE NOT SUBJECT TO WARRANTY CLAIMS AND/OR REPAIRS.**

# LIMITED WARRANTY (USA ONLY)

- A. ADJ Products, LLC hereby warrants, to the original purchaser, ADJ Products, LLC products to be free of manufacturing defects in material and workmanship for a prescribed period from the date of purchase (see specific warranty period on reverse). This warranty shall be valid only if the product is purchased within the United States of America, including possessions and territories. It is the owner's responsibility to establish the date and place of purchase by acceptable evidence, at the time service is sought.
- B. For warranty service, you must obtain a Return Authorization number (RA#) before sending back the product-please contact ADJ Products, LLC Service Department at 800-322-6337. Send the product only to the ADJ Products, LLC factory. All shipping charges must be pre-paid. If the requested repairs or service (including parts replacement) are within the terms of this warranty, ADJ Products, LLC will pay return shipping charges only to a designated point within the United States. If the entire instrument is sent, it must be shipped in its original package. No accessories should be shipped with the product. If any accessories are shipped with the product, ADJ Products, LLC shall have no liability whatsoever for loss of or damage to any such accessories, or for the safe return thereof.
- C. This warranty is void if the serial number has been altered or removed; if the product is modified in any manner which ADJ Products, LLC concludes, after inspection, affects the reliability of the product, if the product has been repaired or service by anyone other than ADJ Products, LLC factory unless prior written authorization was issued to purchaser by ADJ Products, LLC; if the product is damaged because not properly maintained as set forth in the instruction manual.
- D. This is not a service contract, and this warranty does not include maintenance, cleaning or periodic check up. During the period specified above, ADJ Products, LLC will replace defective parts at its expense with new or refurbished parts, and will absorb all expenses for warranty service and repair labor by reason of defects in material or workmanship. The sole responsibility of ADJ Products, LLC under this warranty shall be limited to the repair of the product, or replacement thereof, including parts, at the sole discretion of ADJ Products, LLC. All products covered by this warranty were manufactured after August 15, 2012, and bear identifying marks to that effect.
- E. ADJ Products, LLC reserves the right to make changes in design and/or improvements upon its products without any obligation to include these changes in any products theretofore manufactured.
- F. No warranty, whether expressed or implied, is given or made with respect to any accessory supplied with products described above. Except to the extent prohibited by applicable law, all implied warranties made by ADJ Products, LLC in connection with this product, including warranties of merchantability or fitness, are limited in duration to the warranty period set forth above. And no warranties, whether expressed or implied, including warranties of merchantability or fitness, shall apply to this product after said period has expired. The consumer's and/or Dealer's sole remedy shall be such repair or replacement as is expressly provided above; and under no circumstances shall ADJ Products, LLC be liable for any loss or damage, direct or consequential, arising out of the use of, or inability to use, this product.
- G. This warranty is the only written warranty applicable to ADJ Products, LLC Products and supersedes all prior warranties and written descriptions of warranty terms and conditions heretofore published.

## LIMITED WARRANTY PERIODS

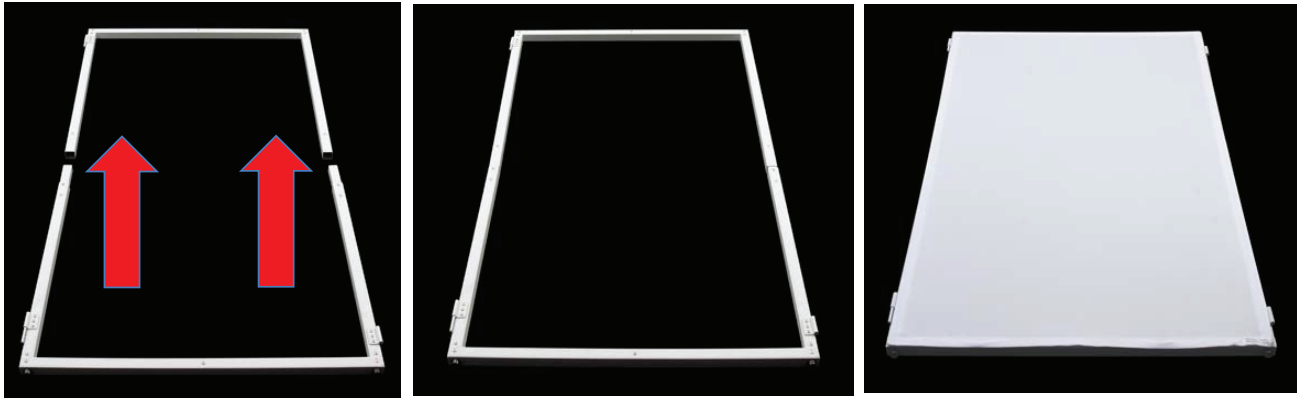
- **Non L.E.D. Lighting Products = 1-year (365 days) Limited Warranty** (Such as: Special Effect Lighting, Intelligent Lighting, UV lighting, Strobes, Fog Machines, Bubble Machines, Mirror Balls, Par Cans, Trussing, Lighting Stands etc. excluding LED and lamps)
- **Laser Products = 1 Year (365 Days) Limited Warranty** (excludes laser diodes which have 6 month limited warranty)
- **L.E.D. Products = 2-year (730 days) Limited Warranty** (excluding batteries which have a 180 day limited warranty)  
Note: 2 Year Warranty only applies to purchases within the United States.
- **StarTec Series = 1 Year Limited Warranty** (excluding batteries which have a 180 day limited warranty)
- **ADJ DMX Controllers = 2 Year (730 Days) Limited Warranty**

## **WARRANTY REGISTRATION**

This device is covered by a 1 year (365 days) limited warranty. All returned service items, whether under warranty or not, must be freight pre-paid and accompanied by a return authorization (R.A.) number. The R.A. number must be clearly written on the outside of the return package. A brief description of the problem as well as the R.A. number must also be written down on a piece of paper and included in the shipping container. If the unit is under warranty, you must provide a copy of your proof of purchase invoice. Items returned without an R.A. number clearly marked on the outside of the package will be refused and returned at customer's expense. You may obtain an R.A. number by contacting customer support.

# INSTALLATION

1. Connect top and bottom metal frame sections together by inserting the bottom section securely into the top section, making sure the hook-and-loop strips of both sections are oriented in the same direction. Also make sure that there are no gaps between the two sections. (see images below left and center). **Note: Bottom metal frame section has 2 rubber feet.**



2. Secure the top and bottom frame sections together by attaching the fabric/scrim color panels to the hook-and-loop strips, starting at the top section and working down towards the bottom section, stretching the fabric/scrim slightly as needed, as shown in the above right image.
3. Repeat steps 1 and 2 for the remaining metal frame sets.
4. Connect the completed facade panels together by aligning the top and bottom hinges and inserting both rotation pins into the hinge sleeves, as illustrated below.



# CLEANING

To clean the fabric/scrim, remove from panel and hand wash in cold water using mild laundry soap.

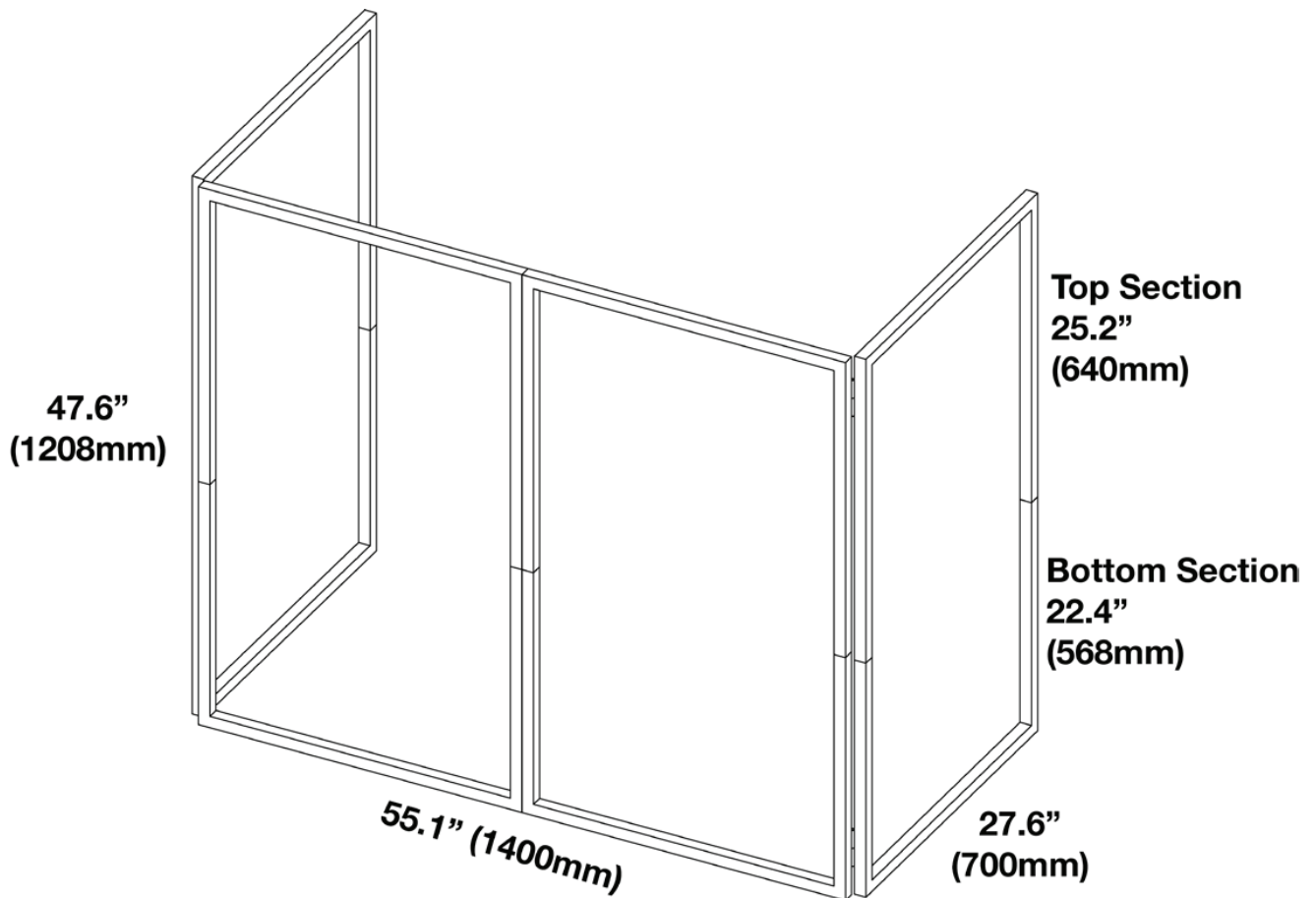
Lay out on flat surface to air dry. If stains are still present, hand wash again and air dry.

**DO NOT TWIST OR WRING OUT SCRIM!**

**DO NOT HEAT DRY!**

**NEVER USE ALCOHOL, SOLVENTS, OR AMMONIA-BASED CLEANERS!**

# DIMENSIONAL DRAWINGS





# SPECIFICATIONS

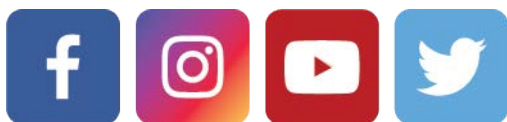
- Frames made of strong and light weight metal
- Detachable hinges and frames - breaks down in half for easier transport and storage
- Includes removable white & black fire retardant scrim
- Includes a carrying bag to protect the frames and scrim during storage and transportation
- Scrim to be washed by hand in cold water, lay flat to dry. **Do not twist to avoid deformation.**
- Dimensions (LxWxH):
  - Complete Stand: 110.25" x 1" x 47.25" / 2800 x 25.4 x 1200mm
  - Each Panel: 27.5" x 1" x 47.25" / 700 x 25.4 x 1200mm
  - Bag: 49.75" x 29w.5" x 6.25" / 1265 x 750 x 159mm
- Weight: 36 lbs. / 16.5 kgs.

# OPTIONAL ACCESSORIES

SKU (US)	SKU (EU)	DESCRIPTION
EVE900	1900000107	Event Facade 2
EVE400	1731000017	Event Facade White Scrim (Scrim Only) (x4)
EVE500	1731000018	Event Facade Black Scrim (Scrim Only) (x4)
EVENT BAG	N/A	Event Facade Carrying Bag (Bag Only)

ADJ Products, LLC  
6122 S. Eastern Ave. Los Angeles, CA 90040 USA  
Tel.: 323-582-2650 / Fax: 323-725-6100  
Web: [www.adj.com](http://www.adj.com) / E-Mail: [info@americandj.com](mailto:info@americandj.com)

Follow us:



[facebook.com/adjlighting](https://facebook.com/adjlighting)  
[instagram.com/adj\\_lighting](https://instagram.com/adj_lighting)  
[youtube.com/adjlighting](https://youtube.com/adjlighting)  
[twitter.com/adjlighting](https://twitter.com/adjlighting)

A.D.J. Supply Europe B.V.  
Junostraat 2  
6468 EW Kerkrade  
Niederlande  
Tel.: +31 45 546 85 00 / Fax: +31 45 546 85 99  
Web: [www.adj.eu](http://www.adj.eu) / E-Mail: [support@adj.eu](mailto:support@adj.eu)



# EVENT FACADE 2

## Guide d'utilisation

A.D.J. Supply Europe B.V.  
Junostraat 2  
6468 EW Kerkrade  
Niederlande  
[www.adj.eu](http://www.adj.eu)

© **2023 Produits ADJ, LLC** Tous droits réservés. L'information, les spécifications, diagrammes, images et instructions sont sous réserve de modifications sans préavis. Les produits ADJ, le logo LLC et les noms et références identifiant des produits sont des marques d'ADJ Products, LLC. La protection des droits d'auteur inclus toute forme, matière, matériel et information protégeables désormais autorisés par la loi statutaire ou judiciaire ou accordé ultérieurement.

Les noms de produits utilisés dans le présent document peuvent être des marques ou des marques déposées de leurs sociétés respectives et sont reconnus par les présentes. Tous les produits non-ADJ, LLC, les marques ou noms de produits sont des marques commerciales ou des marques déposées de leurs entreprises respectives.

**ADJ Products, LLC** et toutes les sociétés affiliées déclinent par les présentes toutes responsabilités pour les biens, les équipements, la construction et dommages électriques, des blessures à des personnes et la perte économique directe ou indirecte liée à l'utilisation ou de la confiance dans les informations contenues dans ce document et / ou à la suite d'un assemblage incorrect, dangereux, insuffisant et négligent et l'installation, le la suspension ou l'utilisation de ce produit.

## Version du document

Vérifiez sur [www.adj.eu](http://www.adj.eu) pour la dernière version de ce document

Date	Version Document	Notes
11/8/2023	1.4	Version actualisée

## Table des matières

INFORMATIOSN GÉNÉRALES.....	4
GUIDE DE MONTAGE .....	5
NETTOYAGE DES TISSUS .....	5
DIMENSIONS .....	6
ACCESSOIRES OPTIONNELS.....	6

## INFORMATIONS GÉNÉRALES

**Introduction :** *EVENT FACADE II WH™ et l'EVENT FACADE II BL™ d'ACCU-STAND™* : Idéal pour couvrir professionnellement votre équipement tout en créant un look élégant et professionnel. Parfait pour ceux qui recherchent une façade légère, portable et rapide à installer qui améliore l'apparence générale.

L'EVENT FACADE II WH comprend des cadres en métal blanc et l'EVENT FACADE II BL des cadres en métal noir. Les deux versions comprennent 8 tissus extensibles (4 noirs et 4 blancs). Les tissus peuvent être facilement retirés pour être nettoyés ou remplacés en fonction de la combinaison de couleurs souhaitée. Le sac de transport avec fermeture à glissière permet un rangement facile et un transport pratique. Aucun outil n'est nécessaire pour assembler, démonter ou enlever les panneaux .

**Déballage :** Ce produit a été minutieusement testé et expédié en parfait état de fonctionnement. Veuillez inspecter avec minutie le carton d'emballage et vérifier qu'il n'a pas été endommagé durant le transport. Si le carton semble endommagé, veuillez inspecter soigneusement votre appareil pour vérifier qu'il ne comporte aucun dommage et que tous les accessoires nécessaires au bon fonctionnement de l'unité sont arrivés intacts. Si l'unité venait à être endommagée ou des accessoires à manquer, veuillez-vous mettre en rapport avec notre service clientèle afin d'obtenir des renseignements supplémentaires. Veuillez ne pas renvoyer cette unité à votre revendeur agréé avant d'avoir contacté notre service clientèle.

### CONTENU DE L'EMBALLAGE

- (1) Sac de transport avec fermeture à glissière
- (4) cadres supérieurs métalliques blancs (version WH) ou noirs (version BL)
- (4) cadres inférieurs métalliques blancs (version WH) ou noirs (version BL)
- (4) Tissus extensibles blancs
- (4) Tissus extensibles noirs

**Service clientèle :** Si vous veniez à rencontrer quelque problème que ce soit mettez-vous en rapport avec votre revendeur ADJ.

Vous pouvez également nous contacter directement à travers notre site Web [www.adj.eu](http://www.adj.eu) ou par e-mail à [support@adj.eu](mailto:support@adj.eu)

### AVIS IMPORTANT !

**CET APPAREIL NE CONTIENT AUCUN COMPOSANT RÉPARABLE PAR L'UTILISATEUR. N'ESSAYEZ PAS DE LE RÉPARER VOUS-MÊME, CAR CELA ANNULERAIT LA GARANTIE DU FABRICANT. LES DOMMAGES RÉSULTANT DE MODIFICATIONS APPORTÉES À CET APPAREIL ET/OU DU NON-RESPECT DES CONSIGNES DE SÉCURITÉ ET DES DIRECTIVES FIGURANT DANS LE PRÉSENT MANUEL ANNULENT LA GARANTIE DU FABRICANT ET NE PEUVENT FAIRE L'OBJET DE RÉCLAMATIONS ET/OU DE RÉPARATIONS AU TITRE DE LA GARANTIE.**

1. Joignez les cadres métalliques des parties SUPÉRIEURES et INFÉRIEURES en insérant solidement la partie INFÉRIEURE dans la partie SUPÉRIEURE. Assurez-vous que les bandes velcro des deux côtés sont du même côté et qu'il n'y a pas d'espace entre les deux parties. (Voir les photos ci-dessous à gauche et au centre.)

Note : Le cadre métallique de la partie inférieure possède deux pieds en caoutchouc.



2. Fixez les parties SUPÉRIEURE et INFÉRIEURE du cadre en attachant les tissus extensibles à la bande velcro; Commencez par la partie SUPÉRIEURE, puis dirigez-vous vers la partie INFÉRIEURE, en tendant le tissu au besoin. (Voir les images ci-dessus)

3. Répétez les étapes 1 et 2 pour les ensembles de cadres métalliques restants. (4 au total)

4. Joignez les panneaux de façade finis en alignant les charnières SUPÉRIEURE et INFÉRIEURE et en insérant les deux axes de pivot dans les bagues de charnière. (Voir l'image ci-dessous.)



## NETTOYAGE DES TISSUS

Pour nettoyer le tissu extensible, retirez le tissu du panneau et lavez-le à la main avec un savon doux à l'eau froide.

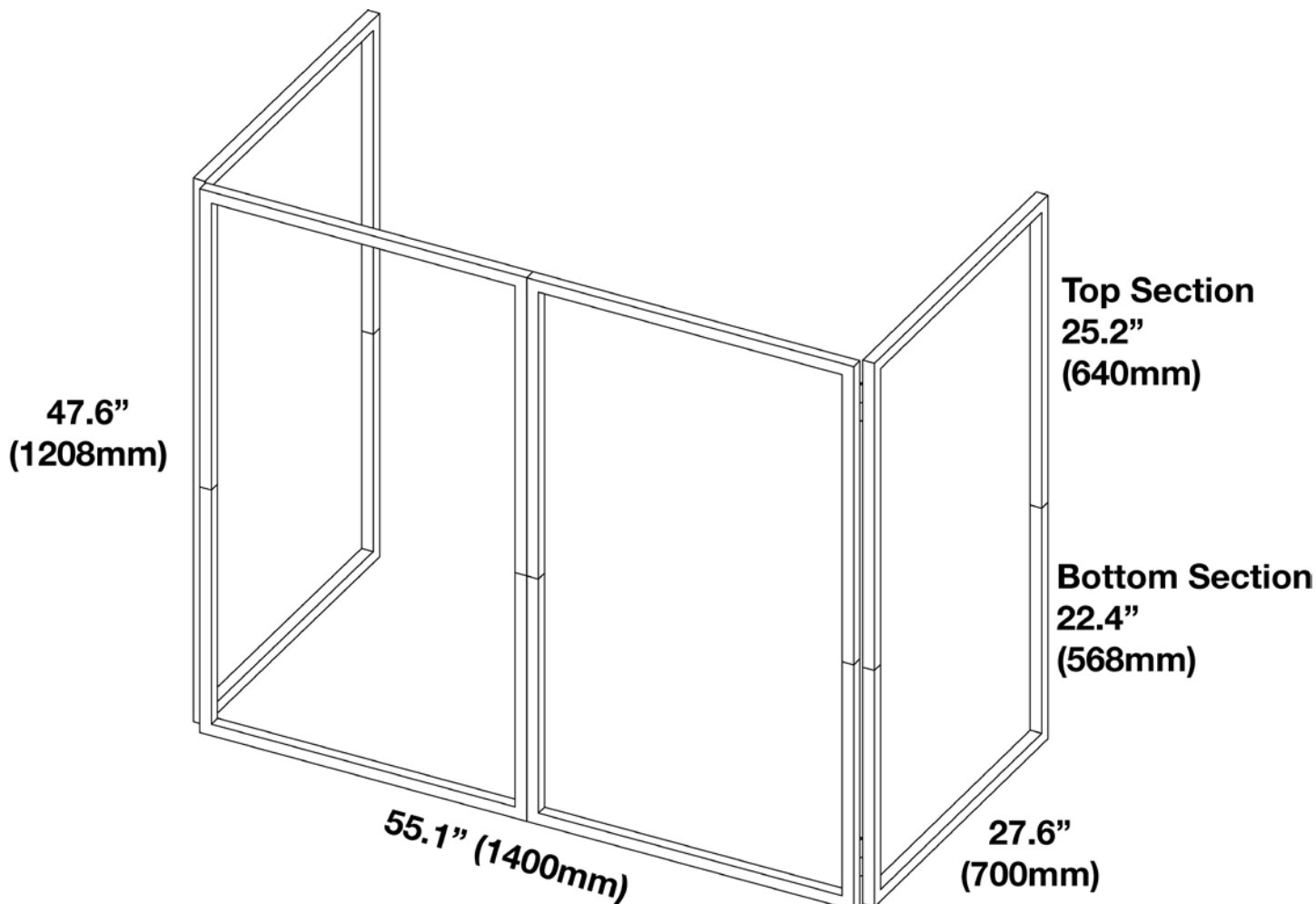
Ensuite, posez-le à plat sur une surface plane pour sécher dans l'air. S'il y a encore des taches, lavez-les à nouveau à la main et séchez-les à l'air.

**NE TORDEZ PAS LE TISSU !**

**NE PAS SECHER AVEC DE L'AIR CHAUD (NE PAS METTRE AU SÈCHE-LINGE)!**

**N'UTILISEZ JAMAIS D'ALCOOL, DE SOLVANT OU DE NETTOYANT À BASE D'AMMONIAQUE !**

## DIMENSIONS



## CARACTÉRISTIQUES

- Cadres en métal solide et léger
- Charnières et cadres détachables - se divisent en deux pour faciliter le transport et le stockage
- Comprend une toile ignifuge amovible blanche et noire
- Un sac de transport est inclus pour protéger les cadres et la toile pendant le stockage et le transport.
- La toile doit être lavée à la main à l'eau froide et séchée à plat. Ne pas tordre pour éviter les déformations.
- Dimensions (LxLxH) :
  - Stand complet : 2800 x 25.4 x 1200mm / 110.25" x 1" x 47.25"
  - Chaque panneau : 700 x 25.4 x 1200mm / 27.5" x 1" x 47.25"
  - Sac : 1265 x 750 x 159mm / 49.75" x 29w.5" x 6.25"
- Poids : 16.5 kgs. / 36 lbs.

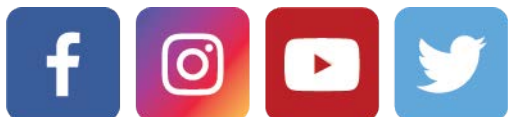
## ACCESSOIRES OPTIONNELS

CODE PRODUIT	POSITION
1900000107	EVENT FACADE 2W (BLANC)
1731000017	4 TISSUS EXTENSIBLES BLANCS
1731000018	4 TISSUS EXTENSIBLES NOIRS



ADJ Products, LLC  
6122 S. Eastern Ave. Los Angeles, CA 90040 USA  
Tel.: 323-582-2650 / Fax: 323-725-6100  
Web: [www.adj.com](http://www.adj.com) / E-Mail: [info@americandj.com](mailto:info@americandj.com)

Suives nous sur:



[facebook.com/adjlighting](https://facebook.com/adjlighting)  
[instagram.com/adj\\_lighting](https://instagram.com/adj_lighting)  
[youtube.com/adjlighting](https://youtube.com/adjlighting)  
[twitter.com/adjlighting](https://twitter.com/adjlighting)

A.D.J. Supply Europe B.V.  
Junostraat 2  
6468 EW Kerkrade  
Pays--Bas

Tel.: +31 45 546 85 00 / Fax: +31 45 546 85 99  
Web: [www.adj.eu/](http://www.adj.eu/) E-Mail: [support@adj.eu](mailto:support@adj.eu)



# EVENT FACADE 2

## Benutzerhandbuch

A.D.J. Supply Europe B.V.  
Junostraat 2  
6468 EW Kerkrade  
Niederlande  
[www.adj.eu](http://www.adj.eu)

©2018 ADJ Products, LLC Alle Rechte vorbehalten. Die hier enthaltenen Informationen, technischen Details, Diagramme, Darstellungen und Anweisungen können ohne vorherige Ankündigung geändert werden. Das hier enthaltene Logo von ADJ Products, LLC und die bezeichnenden Produktnamen und -nummern sind Handelsmarken von ADJ Products, LLC. Der Urnehmerschutz erstreckt sich auf alle Formen und Ausführungen urheberrechtlich geschützter Materialien und Informationen, die durch den Gesetzgeber, die Rechtsprechung oder im Folgenden durch den Urnehmerschutz abgedeckt sind. Die in diesem Dokument verwendeten Produktnamen können Marken oder eingetragene Handelsmarken ihrer jeweiligen Eigentümer sein und werden hiermit als solche anerkannt. Alle Marken und Produktnamen, die nicht Marken und Produktnamen von ADJ Products, LLC sind, sind Marken oder eingetragene Handelsmarken ihrer jeweiligen Eigentümer.

**ADJ Products, LLC** und verbundene Unternehmen übernehmen hiermit keine Haftung für Schäden an Eigentum, Ausstattung, Gebäuden und der elektrischen Installation sowie für Verletzungen von Personen, direkte oder indirekte, erhebliche wirtschaftliche Verluste, die im Vertrauen auf in diesem Dokument enthaltenen Informationen entstanden und/oder das Ergebnis unsachgemäßer, nicht sicherer, ungenügender und nachlässiger Montage, Installation, Aufhängung und Bedienung dieses Produktes sind.

#### **DOKUMENT VERSION**

Bitte prüfen Sie [www.adj.eu](http://www.adj.eu) auf die neuesten Überarbeitungen/Aktualisierungen dieser Bedienungsanleitung.

<b>Datum</b>	<b>Dokumentversion</b>	<b>Hinweise</b>
11.08.2023	1.4	Aktualisierte Version.

## Inhaltsverzeichnis

ALLGEMEINE INFORMATIONEN .....	4
HINWEISE ZUM EINRICHTEN DES GERÄTS.....	5
WASCHEN DES STOFFS/SCHLEIERS .....	5
MASSZEICHNUNG .....	6
OPTIONALES ZUBEHÖR.....	6

### **EINLEITUNG**

Der **EVENT FACADE II WH™** und der **EVENT FACADE II BL™** von **ACCU-STAND™** eignen sich hervorragend zum

professionellen Abdecken Ihrer Ausrüstung und erzeugt gleichzeitig einen eleganten, professionellen Look. Perfekt geeignet für alle, die nach einer leichten, tragbaren und schnell aufzubauenden Fassade suchen, mit der eine Verbesserung des Gesamteindrucks erreicht wird.

Der **EVENT FACADE II WH** verfügt über leichte weiße Metallrahmen und der **EVENT FACADE II BL** über leichte schwarze Metallrahmen. Beide Versionen beinhalten Paneel-Sets mit schwarzem und weißem Tuch/Schleier. Der Strech-Stoff/Schleier der Paneele kann für zur Reinigung bequem abgenommen oder je nach gewünschter Farbkombination ausgetauscht werden. Die beiliegende Tragetasche mit Reißverschluss erlaubt einfache Lagerung und einen bequemen Transport. Für den Aufbau, den Abbau oder zum Entfernen der Paneele für einen einfacheren Transport sind keine Werkzeuge erforderlich.

**Auspacken:** Dieses Gerät wurde gründlich werksseitig überprüft und hat in einwandfreiem Zustand das Werk verlassen. Überprüfen Sie die Verpackung gründlich auf Schäden, die während des Transports entstanden sein könnten. Wenn Ihnen der Karton beschädigt erscheint, überprüfen Sie Ihr Gerät genau auf alle Schäden und vergewissern Sie sich, dass das für die Montage erforderliche Zubehör unbeschädigt und vollständig vorhanden ist. Bitte wenden Sie sich im Schadensfall oder bei fehlendem Zubehör zur Klärung an unsere Kundensupport-Hotline. Geben Sie das Gerät nicht ohne vorherigen Kontakt mit unserem Kundensupport unter nachstehender Nummer an Ihren Händler zurück. Werfen Sie die Versandverpackung nicht in den Hausmüll. Führen Sie diese möglichst der Wiederverwertung zu.

### **INHALT DER VERPACKUNG**

- (1) Tragetasche mit Reißverschluss
- (4) Metallrahmen im oberen Teil (WH = weiße Rahmen | BL = schwarze Rahmen)
- (4) Metallrahmen im unteren Teil (WH = weiße Rahmen | BL = schwarze Rahmen)
- (4) Paneele mit weißem Stoff/Schleier
- (4) Paneele mit schwarzem Stoff/Schleier

**Kundensupport:** Falls Sie Probleme bezüglich des Produkts haben, kontaktieren Sie bitte den American Audio Shop Ihres Vertrauens.

Wir bieten Ihnen ebenso die Möglichkeit, uns direkt zu kontaktieren: Sie erreichen uns über unsere Website [www.adj.eu](http://www.adj.eu) oder via E-Mail: [support@adj.eu](mailto:support@adj.eu)

**Achtung!** Um das Risiko von Stromschlägen oder Feuer zu verhindern oder zu reduzieren, dürfen Sie dieses Gerät niemals im Regen oder bei hoher Luftfeuchtigkeit benutzen.

**Vorsicht!** Die eingebauten Komponenten sind für den Kunden wartungsfrei. Versuchen Sie nicht, selbst Reparaturen durchzuführen; dies führt zum Verfall Ihrer Gewährleistungsansprüche. Im unwahrscheinlichen Fall einer notwendigen Reparatur, wenden Sie sich bitte an ADJ Products, LLC.

**BITTE werfen Sie die Versandverpackung nicht in den Hausmüll. Bitte führen Sie sie der Wiederverwertung zu, soweit dies möglich ist.**

## HINWEISE ZUM EINRICHTEN DES GERÄTS

1. Verbinden Sie die Metallrahmen des OBEREN und UNTEREN Teils, indem Sie den UNTEREN Teil in den OBEREN Teil sicher einstecken. Stellen Sie dabei sicher, dass bei beiden Teilen die Klettverschluss-Streifen auf der gleichen Seite sind und keine Lücken zwischen den zwei Teilen entstehen. (Siehe Abbildungen unten links und mittig.)

Hinweis: Der Metallrahmen des UNTEREN Teils verfügt über zwei GummifüÙe.



2. Sichern Sie die OBEREN und UNTEREN Teile des Rahmens, indem Sie die Paneele mit dem farbigen Stoff/Schleier an den Klettverschluss-Streifen befestigen; beginnen Sie dabei mit dem OBEREN Teil und arbeiten Sie sich dann zum UNTEREN Teil vor, wobei Sie den Stoff/Schleier je nach Bedarf spannen. (Siehe Abbildungen oben rechts.)

3. Wiederholen Sie die Schritte 1 und 2 für die restlichen Metallrahmen-Sets. (insgesamt 4)

4. Verbinden Sie die fertigen Facade-Paneele, indem Sie die OBEREN und UNTEREN Scharniere aufeinander ausrichten und beide Drehbolzen in die Scharnierbuchsen einführen. (Siehe Abbildung unten.)



## WASCHEN DES STOFFS/SCHLEIERS

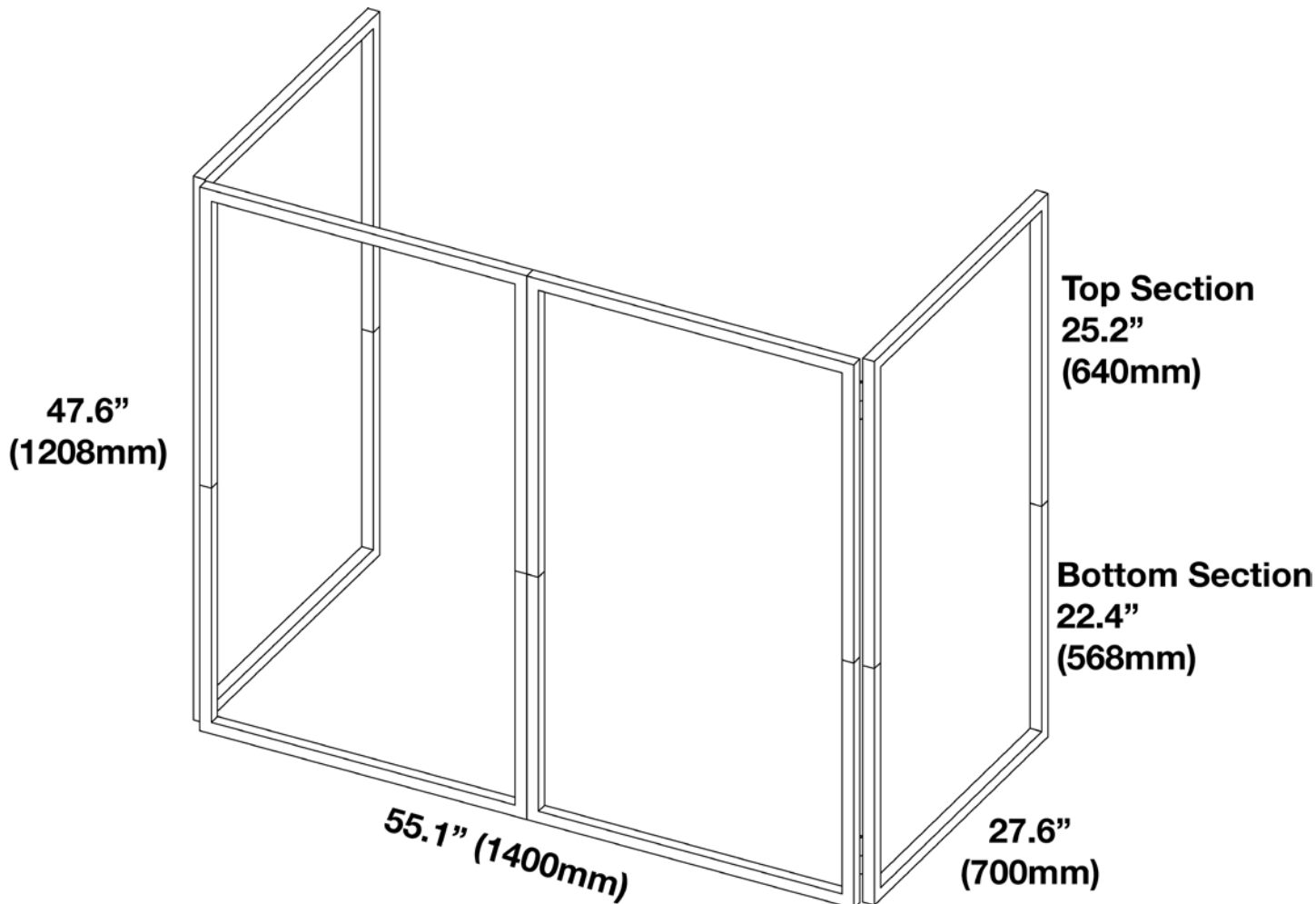
Um den Stoff/Schleier zu reinigen, nehmen Sie das Gewebe vom Paneel ab und waschen es mit der Hand mit einer milden Waschseife in kaltem Wasser.

Legen Sie es dann zum Trocknen an der Luft flach auf eine ebene Fläche. Sind immer noch Flecken vorhanden, waschen Sie es erneut und trocknen es dann an der Luft.

**DAS STOFFGEWEBE NICHT AUSWRINGEN!**

**NICHT MIT HEISSLUFT TROCKNEN!**

**NIEMALS ALKOHOL, LÖSUNGSMITTEL ODER AMMONIAK-BASIERTE REINIGUNGSMITTEL VERWENDEN!**



**SPEZIFIKATIONEN**

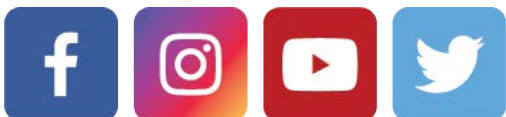
- Rahmen aus stabilem und leichtem Metall
- Abnehmbare Scharniere und Rahmen • zum leichteren Transport und zur Lagerung in zwei Teile zerlegbar
- Inklusive abnehmbarem weißem und schwarzem feuerhemmendem Stoff
- Inklusive Tragetasche zum Schutz der Rahmen und des Stoffes bei Lagerung und Transport
- Stoff mit der Hand in kaltem Wasser waschen und zum Trocknen flach hinlegen. Nicht verdrehen, um Verformungen zu vermeiden.
- Abmessungen (LxBxH):  
 Kompletter Stand: 2800 x 25.4 x 1200mm / 110.25" x 1" x 47.25"  
 Jedes Paneel: 700 x 25,4 x 1200 mm / 27,5" x 1" x 47,25"  
 Tasche: 1265 x 750 x 159mm / 49.75" x 29w.5" x 6.25"
- Gewicht: 16.5 kgs. / 36 lbs.

**OPTIONALES ZUBEHÖR**

<b>CODE</b>	<b>BESCHREIBUNG</b>
1900000107	EVENT FACADE 2W (Weiß)
1731000017	Event Facade Weißer Stoff (nur Stoff) (x4)
1731000018	Event Facade Schwarzer Stoff (nur Stoff) (x4)

ADJ Products, LLC  
6122 S. Eastern Ave. Los Angeles, CA 90040 USA  
Tel.: 323-582-2650 / Fax: 323-725-6100  
Web: [www.adj.com](http://www.adj.com) / E-Mail: [info@americandj.com](mailto:info@americandj.com)

Folgen Sie uns auf:



[facebook.com/adjlighting](https://facebook.com/adjlighting)  
[instagram.com/adj\\_lighting](https://instagram.com/adj_lighting)  
[youtube.com/adjlighting](https://youtube.com/adjlighting)  
[twitter.com/adjlighting](https://twitter.com/adjlighting)

A.D.J. Supply Europe B.V.  
Junostraat 2  
6468 EW Kerkrade  
Niederlande

Tel.: +31 45 546 85 00 / Fax: +31 45 546 85 99  
Web: [www.adj.eu/](http://www.adj.eu/) E-Mail: [support@adj.eu](mailto:support@adj.eu)





# EVENT FACADE 2

## Gebbruikershandleiding

A.D.J. Supply Europe B.V.  
Junostraat 2  
6468 EW  
Kerkrade  
Nederland  
[www.adj.eu](http://www.adj.eu)

© 2018 **ADJ Products** alle rechten voorbehouden. Informatie, specificaties, diagrammen, afbeeldingen en instructies zijn onderhevig aan verandering zonder voorafgaande kennisgeving. ADJ Products, het LLC logo en de genoemde productnamen en productnummers zijn handelsmerken van ADJ Products, LLC. Auteursrechtelijke bescherming, of hierna verleende, omvat alle gerechtelijke of statutair vastgelegde formulieren en zaken van auteursrechtelijk materiaal en informatie. Productnamen, in dit document genoemd, kunnen handelsmerken of geregistreerde handelsmerken van de respectievelijke firma's zijn en zijn als zodanig erkend. Alle non-ADJ Products, LLC merken en productnamen zijn handelsmerken of geregistreerde handelsmerken van de respectievelijke bedrijven.

**ADJ Products, LLC** en alle aangesloten ondernemingen wijzen hierbij alle aansprakelijkheid van de hand voor schade aan eigendom, uitrusting, gebouwen, elektrische schade, letsel aan personen en directe of indirecte economische schade in verband met het gebruik of vertrouwen van enige informatie in dit document, en/of het gevolg is van verkeerde, onveilige, ontoereikende en nalatige montage, installatie, tuigage, en bediening van dit product.

**ADJ Products LLC Hoofdkantoor**

6122 S. Eastern Ave. | Los Angeles, CA 90040 USA

Tel: 800-322-6337 | Fax: 323-582-2941 | [www.adj.com](http://www.adj.com) | [support@americandj.com](mailto:support@americandj.com)

**ADJ Supply Europe B.V.**

Junostraat 2 | 6468 EW Kerkrade | Nederland

Tel: +31 45 546 85 00 | Fax: +31 45 546 85 99 | [www.adj.eu](http://www.adj.eu) | [support@adj.eu](mailto:support@adj.eu)

**DOCUMENT VERSIE**

Controleer op [www.adj.eu](http://www.adj.eu) de laatste herziening/update van deze gebruikershandleiding.

Datum	Document versie	Opmerkingen
11.08.2023	1.4	Geüpdatete versie.

Uitpakken.....	3
Introductie.....	3
Installeren.....	4
Wassen.....	4
Afmetingen.....	5
Optionele accessoires.....	5

Uitpakken : Bedankt voor de aanschaf van de Event Facade II WH / Event Facade II BL van ACCU-STAND. Elke Event Facade II WH / Event Facade II BL wordt uitgebreid getest, zorgvuldig verpakt en gebruiksklaar geleverd. Controleer de verpakking nauwkeurig op schade die ontstaan kan zijn tijdens het transport. Indien de verpakking is beschadigd, controleer dan nauwkeurig de Event Facade II WH / Event Facade II BL op eventuele schade en controleer of alle meegeleverde noodzakelijk onderdelen van de Event Facade II WH / Event Facade II BL aanwezig en intact zijn. In geval van schade of het ontbreken van onderdelen, neemt u contact op met uw ADJ® dealer.

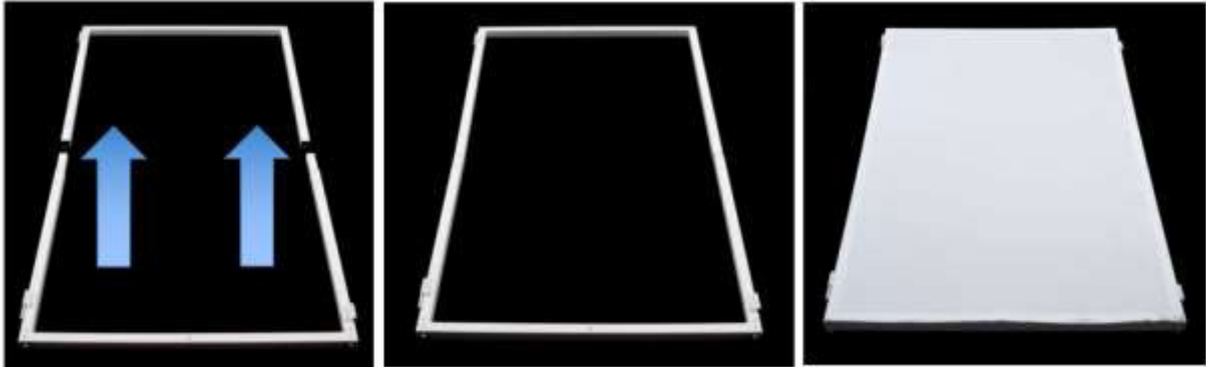
De leveromvang van de Event Facade II WH / Event Facade II BL bestaat uit:

- (1) Transporttas met rits.
- (4) Vier metalen frames bovengedeelte (WH = witte frames / BL = zwarte frames)
- (4) Vier metalen frames ondergedeelte (WH = witte frames / BL = zwarte frames)
- (4) Witte doeken / screens
- (4) Zwarte doeken / screens

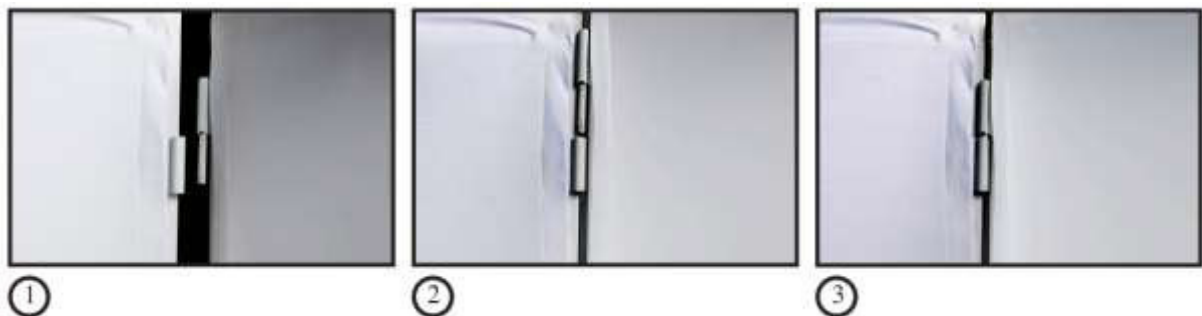
De Event Facade II WH en de Event Facade II BL van ACCU-CASE is een elegante en professionele manier voor het uit het zicht onttrekken van DJ apparatuur. De Event Facade is een draagbare lichtgewicht, eenvoudig te installeren afscheiding voor een professionele presentatie.

De Event Facade II WH wordt geleverd met een wit metalen frame en de Event Facade II BL wordt geleverd met een zwart metalen frame. Beide versies zijn inclusief een set zwarte en een set witte stoffen screens. De panelen van stretchstof kunnen eenvoudig worden verwijderd om te reinigen of om verwisseld te worden voor andere zwart of zwart-wit combinaties. Het vervoer en opslag van de Event Facade is eenvoudig met de meegeleverde draagtas. Er is geen gereedschap nodig voor het installeren, demonteren of voor het verwijderen van de stretchpanelen.

1. Verbind de onderkant en de bovenkant van het metalen frame met elkaar door het onderste gedeelte stevig in het bovenste gedeelte te schuiven. Let op dat de klittenband strips zich aan dezelfde zijde bevinden en dat er geen openingen tussen de twee gedeeltes zijn. (zie onderstaand afbeeldingen)  
LET OP: het onderste frame heeft twee rubberen voetjes.



2. Fixeer de framedelen door de stofpanelen aan de klittenband te bevestigen. Begin hierbij aan de bovenkant en werk zo naar de onderkant, waarbij de stof, indien nodig, iets opgerekt kan worden. (zie bovenstaande afbeelding rechts)
3. Herhaal stap 1 en 2 voor de overige metalen frames. (totaal 4)
4. Verbind nu de panelen met elkaar door de beide scharnieren boven elkaar te plaatsen en de ronde pin in het scharnier te schuiven (zie onderstaande tekening).

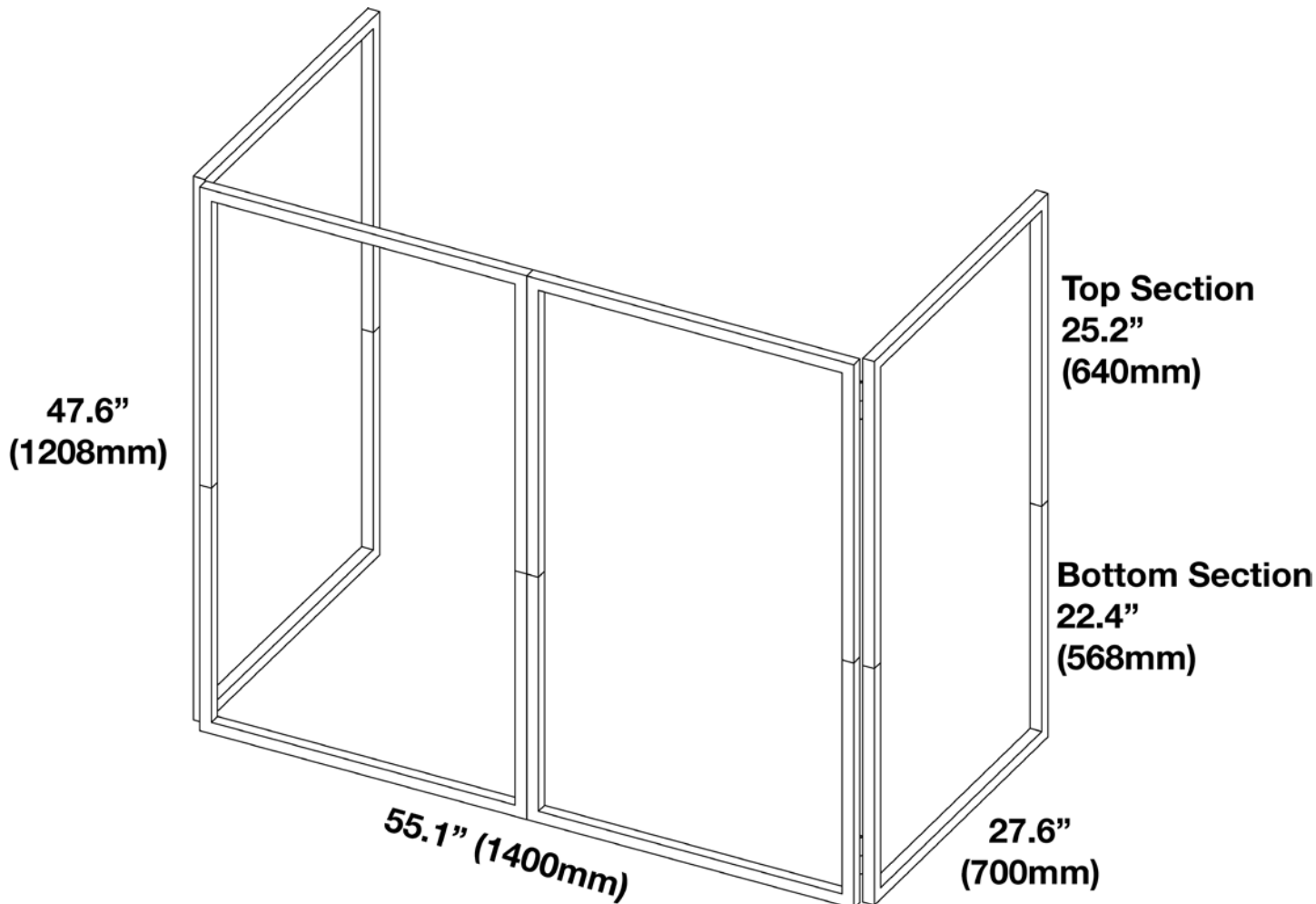


Om de stof te kunnen wassen dient deze van het frame te worden verwijderd. De stof moet op de hand worden gewassen in koud water met een mild wasmiddel. Laat de stof liggend drogen. Herhaal dit indien er nog vlekken in de stof zitten.

**NIET wringen of centrifugeren, hierdoor kan de vorm worden aangetast.**

**NIET in de wasdroger drogen!**

**Gebruik GEEN alcohol, oplosmiddelen of reinigingsmiddelen op ammoniakbasis!**



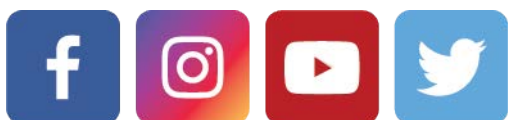
**SPECIFICATIES**

- Frames gemaakt van sterk en lichtgewicht metaal
- Afneembare scharnieren en frames - kunnen in tweeën worden gedeeld voor gemakkelijker transport en opslag
- Inclusief verwijderbaar wit en zwart brandvertragend doek
- Inclusief een draagtas om de frames en het zeil te beschermen tijdens opslag en transport
- Was het zeil met de hand in koud water en leg het plat om te drogen. Niet draaien om vervorming te voorkomen.
- Afmetingen (LxBxH):
  - Complete stand: 2800 x 25,4 x 1200mm / 110,25" x 1" x 47,25"
  - Elk paneel: 700 x 25,4 x 1200mm / 27.5" x 1" x 47.25"
  - Tas: 1265 x 750 x 159mm / 49.75" x 29b.5" x 6.25"
- Gewicht: 16,5 kg. / 36 lbs.

**OPTIONELE ACCESSOIRES**

CODE	OMSCHRIJVING
1900000107	EVENT FACADE 2W (wit)
1731000017	Event Facade WH (alleen witte doek) (x4)
1731000018	Event Facade BL (alleen zwarte doek) (x4)

Volg ons op:



[facebook.com/adjlighting](https://facebook.com/adjlighting)  
[instagram.com/adj\\_lighting](https://instagram.com/adj_lighting)  
[youtube.com/adjlighting](https://youtube.com/adjlighting)  
[twitter.com/adjlighting](https://twitter.com/adjlighting)

A.D.J. Supply Europe B.V.  
Junostraat 2  
6468 EW Kerkrade  
Nederland

Tel.: +31 45 546 85 00 / Fax: +31 45 546 85 99  
Web: [www.adj.eu/](http://www.adj.eu/) E-Mail: [support@adj.eu](mailto:support@adj.eu)



# EVENT FACADE 2

Guía de usuario

A.D.J. Supply Europe B.V.  
Junostraat 2  
6468 EW Kerkrade  
Países Bajos  
[www.adj.eu](http://www.adj.eu)

©2018 ADJ Products, LLC todos los derechos reservados. La información, especificaciones, diagramas, imágenes e instrucciones presentes están sujetos a cambio sin previo aviso. El logotipo de ADJ Products, LLC y los nombres y números de identificación del producto aquí contenidos son marcas comerciales de ADJ Products, LLC. La protección de derechos de propiedad aquí manifestada incluye todas las formas y tipos de materiales e información amparados por el derecho de propiedad contemplados ahora por la legislación reglamentaria o judicial, o que se otorguen en lo sucesivo. Los nombres de productos usados en este documento pueden ser marcas comerciales o marcas registradas de sus respectivas empresas, y así se reconoce. Todas las marcas y nombres de producto que no son ADJ Products, LLC son marcas comerciales o marcas registradas de sus respectivas empresas.

**ADJ Products, LLC** y todas las empresas asociadas declinan por la presente todas y cada una de las responsabilidades por daños materiales, eléctricos, al equipo y edificios, o lesiones a cualquier persona, y el perjuicio económico directo o indirecto relacionado con el uso o con la confianza en cualquier información contenida en este documento y/o como resultado de un montaje, instalación, aparejamiento y manejo inapropiado, inseguro, insuficiente o negligente de este producto.

## VERSIÓN DEL DOCUMENTO

Visite [www.adj.eu](http://www.adj.eu) para obtener la última revisión/actualización de esta guía.

Fecha	Versión del documento	Notas
11/08/2023	1.4	Versión actualizada.



## Tabla de contenido

INTRODUCCIÓN GENERAL .....	4
INSTRUCCIONES DE INSTALACIÓN.....	5
LAVADO DE LA TELA/TELÓN .....	5
PLANOS ACOTADOS .....	6
ACCESORIOS OPCIONALES.....	6

### INTRODUCCIÓN

El **ACCU-STAND™ EVENT FACADE II WH™** y **EVENT FACADE II BL™** son una gran solución para ocultar su equipo

de DJ de forma profesional y crear un look lleno de elegancia y profesionalidad. Perfecto para quienes busquen una pantalla ligera, portátil y de rápida instalación que mejore su imagen.

**EVENT FACADE II WH** viene con marcos ligeros de metal de color blanco, mientras que **EVENT FACADE II BL** viene con marcos ligeros de metal de color negro. Ambas versiones incluyen juegos de paneles de tela/telón en blanco y en negro. Los paneles elásticos de tela/telón se desmontan fácilmente para limpiarlos y se pueden intercambiar para distintas combinaciones de paneles en blanco y en negro. El transporte y el almacenamiento son también sencillos gracias a la bolsa de transporte con cremallera incluida. No se necesitan herramientas para montar ni para desmontar; los paneles de pantalla se desmontan en piezas individuales para transportarlas fácilmente.

**Desembalaje:** Este producto se ha probado meticulosamente y se ha expedido en perfectas condiciones. Examine con cuidado la caja en que se entrega para detectar daños que puedan haber ocurrido durante el transporte. Si la caja parece estar dañada, inspeccione con cuidado su producto para detectar daños y asegúrese de que todos los accesorios necesarios para montar el producto han llegado intactos. En caso de que haya encontrado daños o de que falten piezas, póngase en contacto con el servicio de atención al cliente para recibir más instrucciones. Por favor, no devuelva este producto a su distribuidor sin haberse puesto primero en contacto con el servicio de asistencia al cliente en el número de teléfono que aparece más abajo. Por favor, no tire la caja de cartón a la basura. Recicle siempre que le sea posible.

### CONTENIDOS DE LA CAJA

- (1) Bolsa de transporte con cremallera
- (4) Marcos de metal de sección superior (WH = Marcos blancos | BL = Marcos negros)
- (4) Marcos de metal de sección inferior (WH = Marcos blancos | BL = Marcos negros)
- (4) Paneles de tela/telón blancos
- (4) Paneles de tela/telón negros

**Asistencia al cliente:** Si encuentra cualquier problema, sírvase contactar con su tienda American Audio de confianza.

También le ofrecemos la posibilidad de contactarnos directamente: puede hacerlo a través de nuestro sitio web [www.adj.eu](http://www.adj.eu) o por correo electrónico: [support@adj.eu](mailto:support@adj.eu)

**¡Precaución!** Para evitar o reducir el riesgo de descarga eléctrica o incendio, no exponga esta unidad a la lluvia o a la humedad.

**¡Cuidado!** No hay piezas reparables por el usuario dentro de esta unidad. No intente ninguna reparación por sí mismo; si lo hace así, invalidará la garantía del fabricante. En el caso improbable de que su unidad precise reparación, contacte con ADJ Products, LLC.

**POR FAVOR, recicle la caja de embalaje siempre que le sea posible.**

## INSTRUCCIONES DE INSTALACIÓN

1. Conecte entre sí las secciones del marco de metal SUPERIOR e INFERIOR insertando firmemente la sección INFERIOR en la sección SUPERIOR, asegurándose de que ambas secciones tienen los ganchos y tiras de lazo en el mismo lado y de que no ha quedado hueco entre las dos secciones (vea las imágenes de abajo, izquierda y centro).

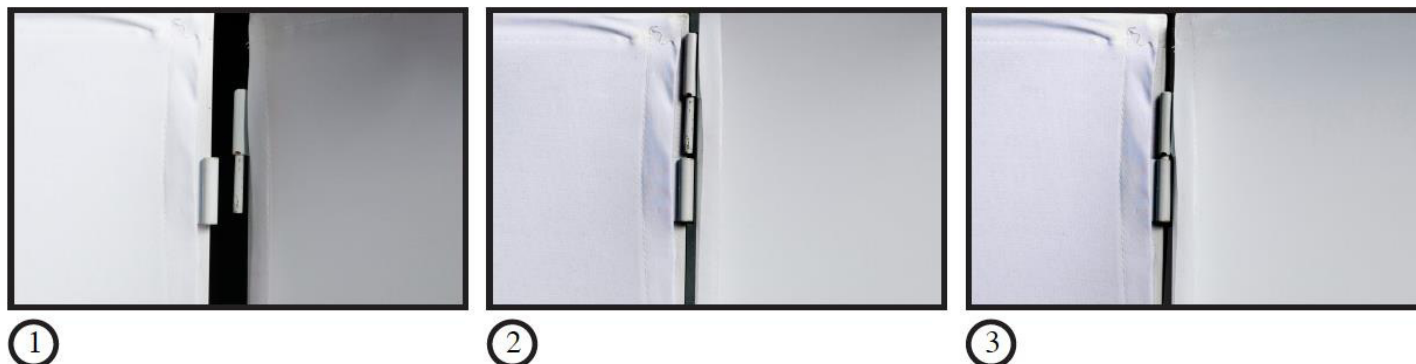
Nota: la sección de marco de metal INFERIOR tiene 2 pies de goma.



2. Asegure entre sí las secciones de marco SUPERIOR e INFERIOR acoplando los paneles de color de tela/telón al gancho y a las tiras de lazo, comenzando en la sección SUPERIOR y continuando hacia la sección INFERIOR, estirando la tela/telón ligeramente según sea necesario (véase la imagen superior derecha).

3. Repita los pasos 1 y 2 de más arriba para los 3 juegos de marcos de metal restantes (4 en total).

4. Conecte los paneles de pantalla entre sí alineando las bisagras SUPERIOR e INFERIOR e insertando ambas clavijas de rotación en los receptáculos de las bisagras (ver las imágenes de abajo).



## LAVADO DE LA TELA/TELÓN

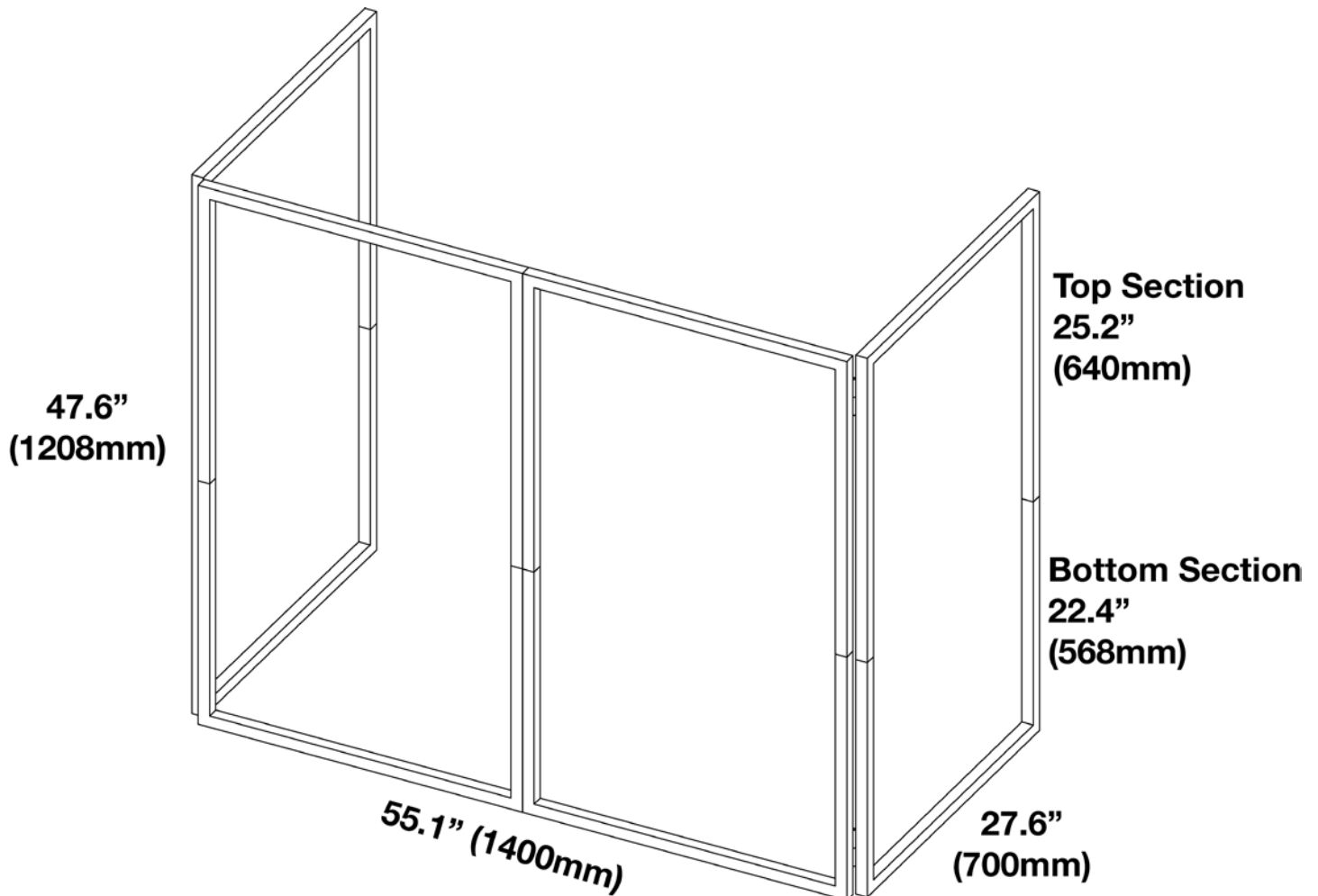
Para lavar la tela/telón, quítela del panel y lávela a mano en agua fría utilizando un detergente suave. Déjela en una superficie plana para que se seque al aire. Si todavía quedan manchas, lávela a mano de nuevo y déjela secar al aire.

**¡NO RETUERZA NI ESTRUJE EL TELÓN PARA ESCURRIRLO!**

**¡NO SEQUE CON CALOR!**

**¡NUNCA UTILICE LIMPIADORES A BASE DE ALCOHOL, DISOLVENTES NI AMONIACO!**

## DIMENSIONES



## ESPECIFICIDADES

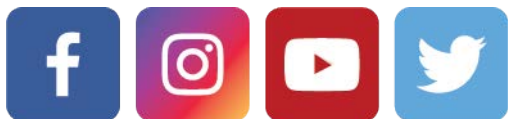
- Marcos de metal resistente y ligero
- Bisagras y bastidores desmontables: se dividen por la mitad para facilitar su transporte y almacenamiento
- Incluye telas ignífugas blancas y negras desmontables
- Incluye una bolsa de transporte para proteger los marcos y la lona durante el almacenamiento y el transporte
- La lona debe lavarse a mano en agua fría y secarse en horizontal. No retorcer para evitar deformaciones.
- Dimensiones (LxAxA):
  - Soporte completo: 2800 x 25,4 x 1200mm / 110,25" x 1" x 47,25"
  - Cada Panel: 700 x 25,4 x 1200mm / 27,5" x 1" x 47,25"
  - Bolsa: 1265 x 750 x 159mm / 49.75" x 29w.5" x 6.25"
- Peso: 16,5 kgs. / 36 lbs.

## ACCESORIOS OPCIONALES

CÓDIGO	DESCRIPCIÓN
1900000107	EVENT FACADE 2W (blanco)
1731000017	Event Facade WH (sólo paño blanco) (x4)
1731000018	Event Facade BL (sólo tela negra) (x4)

ADJ Products, LLC  
6122 S. Eastern Ave. Los Angeles, CA 90040 EE. UU.  
Tel: 323-582-2650 / Fax: 323-725-6100  
Web: [www.adj.com](http://www.adj.com) / Correo electrónico:  
[info@americandj.com](mailto:info@americandj.com)

Siganos en:



[facebook.com/adjlighting](https://facebook.com/adjlighting)  
[instagram.com/adj\\_lighting](https://instagram.com/adj_lighting)  
[youtube.com/adjlighting](https://youtube.com/adjlighting)  
[twitter.com/adjlighting](https://twitter.com/adjlighting)

A.D.J. Supply Europe B.V.  
Junostraat 2  
6468 EW Kerkrade  
Países Bajos  
Tel: +31 45 546 85 00 / Fax: +31 45 546 85 99  
Web: [www.adj.eu/](http://www.adj.eu/) Correo electrónico: [support@adj.eu](mailto:support@adj.eu)