

USER GUIDE

Conference System MA-2100



www.metroaudiosystems.com

Attention

- Please read the user manual in detail for better application, correct operation and best effect. Please keep the user manual for future reference.

Safety

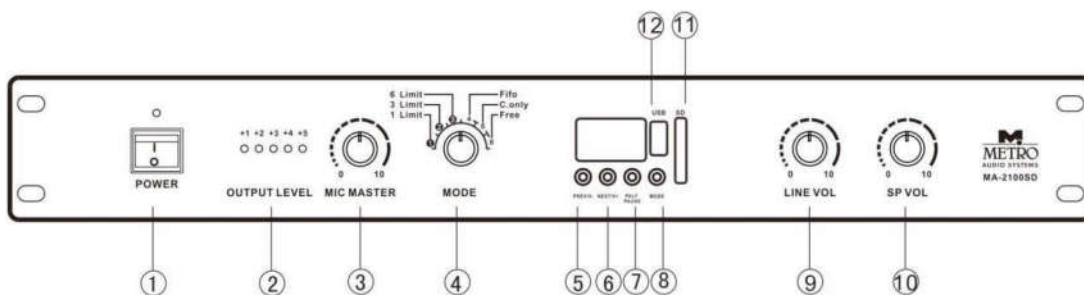
- For safe usage, please do not pull the cable during connection and do not damage the cable. Please connect the system by plugs correctly
- The power is AC 220V~240V, voltage of 50Hz, to avoid obstacle or fire, please do not use power beyond the safe scope.
- Do not locate the conference system near high temperature, wet, dusty or liquid situation to avoid any damage
- Do not throw, impact the conference system
- During the system working, if there is abnormal situation as smoking, smelling, please unplug the power
- Please turn off the conference system and unplug the power in case not working for some period

Feature of conference system MA-2100SD

- Simple and practical design for small-medium conference
- High original audio circuit design
- Equipped with SD card slot and USB interface for conference recording and playing
- Built-in microphone speaker female line volume controller
- Multi-meet mode

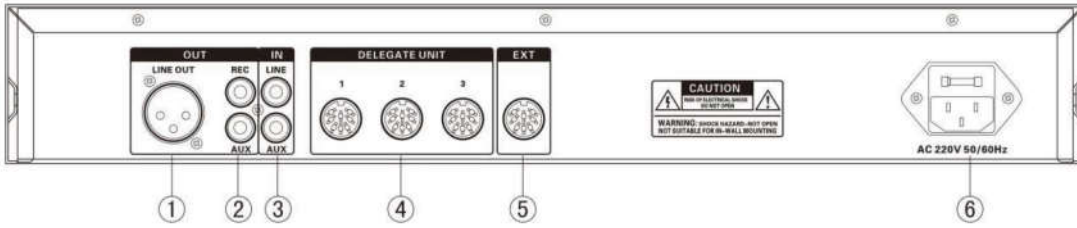
Each part and its function

1.1 FRONT PANEL



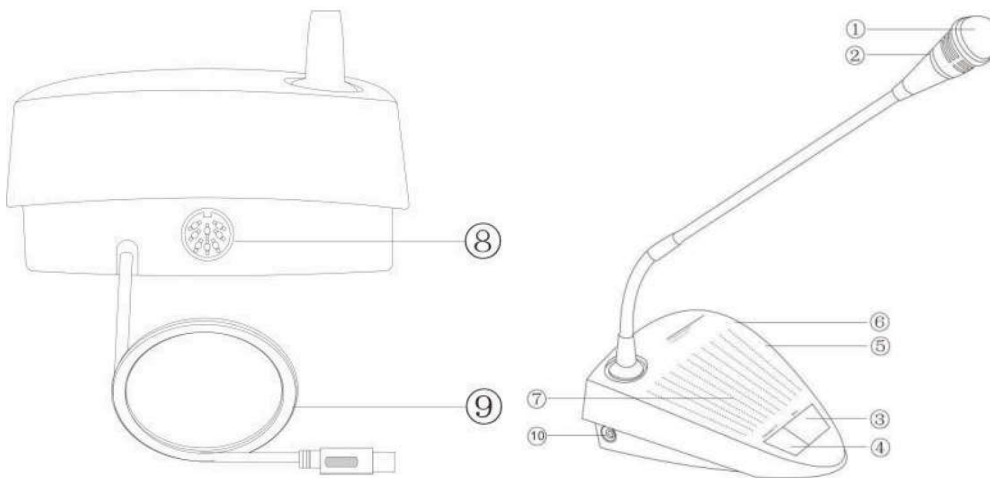
1. Power switch: Checking all the connection is correct before turning on the power
2. Level indicating light for total output of conference microphones
3. Master volume controller for conference microphone
4. Meet mode controller
 - a. Limit: 1/3/6 microphones are limited to turn on at the same time
 - b. FIFO: Set 1 delegate first in the first off
 - c. Chairman: In this mode, only chairman can be on, delegates are off.
 - d. Free: All microphones are free to turn on/off
5. Previous & Volume – key: When playing USB or SD Card, by pressing the key for long time, the volume of playing will be reduced. By pressing the key for short time, it returns to previous recording
6. Next & Volume – key: When playing USB or SD Card, by pressing the key for long time, the volume of playing will be increased. By pressing the key for short time, it goes to next recording
7. Play & Pause key: To press the key to play USD or SD card. To press key again to pause the playing. To press the key to confirm enter to main menu
8. Menu function key:
 - a. Music: insert USB & SD card and press the key to play music
 - b. Bluetooth: Play music from outside matched Bluetooth equipment
 - c. Recording: Press the key to record the conference
 - d. Connected with computer
 - e. Conference setting: Including language, contrast ratio and so on.
9. Line input volume controller
10. Built-in speaker volume controller
11. SD card slot
12. USB interface

1.2 REAR PANEL



1. Conference master output: For conference recording and audio extending input level
2. Rec & Aux output: For conference recording and audio extending input level.
3. Line & Aux input: Input to connect with outside audio source and controller by line volume controller in front panel
4. Channels of Conference microphone: Each channel is 20 pieces microphone, total connecting 60 pieces of microphones.
5. Extension interface: To connect another central controller. After extension, more microphone can be connected, with maximum of 120 pieces.
6. Power outlet: AC220V~240V, 50Hz, Fuse block: F5A AC220

1.3 CHAIRMAN / DELEGATE MICROPHONE



1. Directivity: High sensibility, heart shape, electret condenser microphone
2. Gooseneck: Stick with red circle indicating light
3. On/off knob: the led light in base is red when turning on the microphone. Once the LED light is green, delegate is limited of speech and chairman is in priority.
4. Priority Knob: Press this knob, the chairman is in priority. Only chairman has this function
5. Volume controller for earphone: to control the volume of earphone
6. 3.5mm jack for earphone
7. Built-in speaker: Controlled by Line volume in the front panel and automatically off when the earphone inserted
8. Connecting interface to conference controller
9. 8P DIN, 2M cable for hand by hand connection between microphones

- Interface to connect with outside MIC: To connect with 3.5mm collar microphone and at the same time, gooseneck microphone automatically mute

1.4 CONNECTION DIAGRAM

