

# THUMP212XT THUMP215XT



## THUMP212XT • THUMP215XT 1400W Enhanced Powered Loudspeakers

ThumpXT Loudspeakers are the next evolution of the incredibly popular series, packed with more power, capability, and bang-for-the-buck than ever before.

Completely redesigned from the ground up, ThumpXT features heavy-duty drivers, 1400W amplifiers, and powerful tools to make your next gig easier than ever.

Optimize the system with venue-specific voicing modes plus Indoor/Outdoor modes. The built-in Feedback Eliminator and Music Ducking mode keep the show running smooth when it counts.

Control it all plus access additional features like system EQ, levels, mutes, and more right from your phone with the Thump Connect 2 app. And with Bluetooth® streaming, ultra-versatile I/O, legendary Thump sound quality, and easy portability, ThumpXT is going to be your new favorite loudspeaker.

### APPLICATIONS:

Singer-songwriters, announcement PA, karaoke, clubs / cafés, houses of worship, schools, small restaurants, outdoor events / barbecues, banquet halls, conference rooms, boardrooms, and many, many more.



### FEATURES:

- 1400W ultra-efficient Class-D amplifier
- Built-Like-A-Tank™ to conquer every gig while lightweight for easy loading
- Frequency response: 47 Hz – 20 kHz [Thump212XT]
- Frequency response: 40 Hz – 20 kHz [Thump215XT]
- Max SPL: 128 dB [Thump212XT]
- Max SPL: 129 dB [Thump215XT]
- 12" high-performance woofer [Thump212XT]
- 15" high-performance woofer [Thump215XT]
- 1" compression driver
- 4 Application-specific voicing modes
  - Music
  - Live
  - Club
  - Monitor
- Outdoor mode optimizes voicing for open air venues
- Bluetooth® connectivity for streaming, speaker linking, and control
  - Download the Thump Connect 2 app for complete wireless control
  - Link 2 ThumpXT loudspeakers for a powerful, wireless, music playback system in both stereo and dual-zone configuration
- Flexible I/O
  - Ch.1 features an XLR/TRS input that accepts mic or line signals
  - Ch.2 features an XLR/TRS line input plus stereo 1/8" input
  - Thru output contains audio from both input channels
- Built-in Feedback Eliminator reduces squeals and out of control rumble
- Music Ducking mode automatically reduces the level of Ch. 2 when Ch. 1 receives signal
- Front LED On/Off switch
- Universal Power Supply (100-240VAC)
- Standard pole mount
- M10 flypoints for permanent install
- Monitor wedge provides optimal angle for use as a floor monitor
- Weight
  - 27.6 lb / 12.5 kg [Thump212XT]
  - 32.6 lb / 14.8 kg [Thump215XT]
- Dimensions:
  - 24.4 x 14 x 14 in / 620 x 356 x 356 mm [Thump212XT]
  - 27.4 x 17.3 x 14 in / 696 x 439 x 356 mm [Thump215XT]

## THUMPXT 2022 SERIES SPECIFICATIONS

### Acoustic Performance

Frequency Response (-10 dB)	47 Hz – 23 kHz [Thump212XT] 40 Hz – 23 kHz [Thump215XT]
Frequency Response (-3 dB)	54 Hz – 20 kHz [Thump212XT] 47 Hz – 20 kHz [Thump215XT]
Horizontal Coverage	90°
Vertical Coverage	60°
Maximum SPL Peak	128 dB [Thump212XT] 129 dB [Thump215XT]
Monitor Angle	40°

### Transducers

Low Frequency	12 in / 305 mm [Thump212XT] 15 in / 381 mm [Thump215XT] with ferrite
High Frequency	1.0 in / 25 mm polymer compression driver

### Power Amplifiers

System Power Amplification	
Rated Power	1400 watts peak
Low Frequency Power Amplifier	
Rated Power	1200 watts peak
Rated THD	<1%
Cooling Design	Convection Class D
High Frequency Power Amplifier	
Rated Power	200 watts peak
Rated THD	<1%
Cooling Design	Convection Class D

### System Processing

Voicing	Four speaker modes
---------	--------------------

### Input / Output

Input Type	2x Female XLR – 1/4" Balanced TRS combo jack and 1/8" TRS
Mic/Line Impedance	10 kΩ Balanced
1/8" Line Impedance	10 kΩ Balanced
Thru Out	Male XLR Balanced
Thru Out Impedance	300 Ω Balanced

### Electronic Crossover

Crossover Frequency	2.1 kHz
---------------------	---------

### Line Input Power

Detachable line cord	100–240V~, 50–60 Hz, 75W
AC Connector	3-pin IEC 250 VAC, 10 A male
Power Supply Type	Switchmode

### Safety Features

Input Protection	Peak and RMS limiting, power supply and amplifier thermal protection
Feedback Eliminator	On / Off
Display LEDs	Voicing Mode, Outdoor Mode, Music Ducking, Feedback Eliminator, Front LED, Bluetooth Status, Link Status, Overload

### Mounting Methods:

Floor mount, pole mount via the built-in socket on the bottom of the cabinet [Be sure the pole is capable of supporting the weight of the ThumpXT loudspeaker] or fly via the integrated M10 mounting points (using M10 x 1.5 x 20 mm forged shoulder eyebolts).

## THUMPXT 2022 SERIES SPECIFICATIONS CONTINUED...

### Physical Properties (product)

**THUMP212XT:**

Height:	24.4 in / 620 mm
Width:	14.0 in / 356 mm
Depth:	14.0 in / 356 mm
Weight:	27.6 lb / 12.5 kg

**THUMP215XT:**

Height:	27.4 in / 696 mm
Width:	17.3 in / 439 mm
Depth:	14.0 in / 356 mm
Weight:	32.6 lb / 14.8 kg

### Physical Properties (packaged product)

**THUMP212XT:**

Height:	27.2 in / 691 mm
Width:	16.5 in / 419 mm
Depth:	16.5 in / 419 mm
Weight:	33.5 lb / 15.2 kg

**THUMP215XT:**

Height:	29.9 in / 759 mm
Width:	19.3 in / 490 mm
Depth:	16.1 in / 409 mm
Weight:	39.2 lb / 17.8 kg

### Options

Thump212XT Speaker Bag	P/N 2047360-09
Thump212XT Rolling Speaker Bag	P/N 2047360-10
Thump215XT Speaker Bag	P/N 2047360-11
Thump215XT Rolling Speaker Bag	P/N 2047360-12
T100 Loudspeaker Tripod Stand	P/N 2052464
SPM400 Loudspeaker Pole Mount	P/N 2051055
PA-A1 Forged Shoulder Eyebolt Kit (3 x M10 x 1.5 x 20 mm)	P/N 0031943

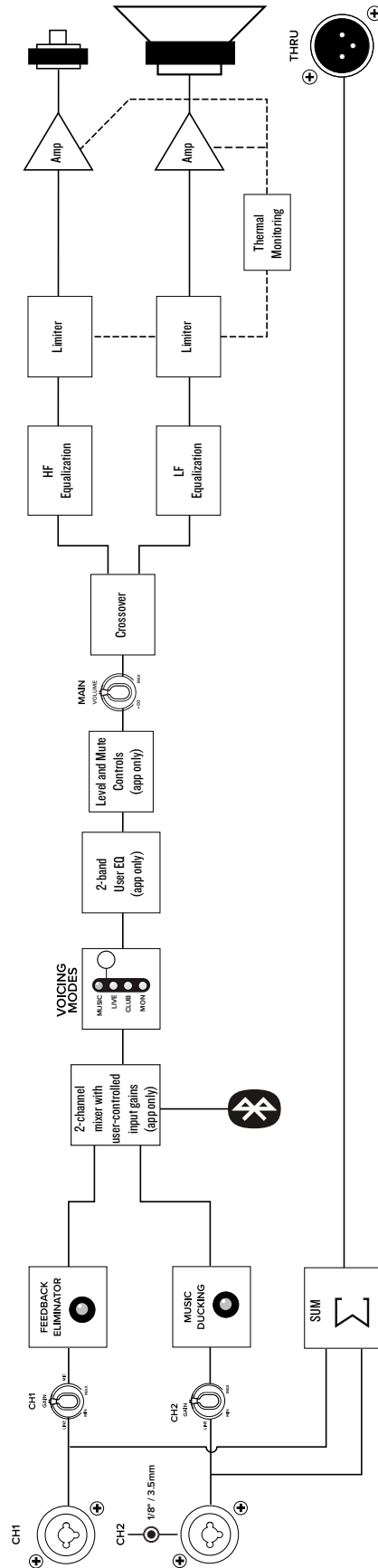
### Ordering Information

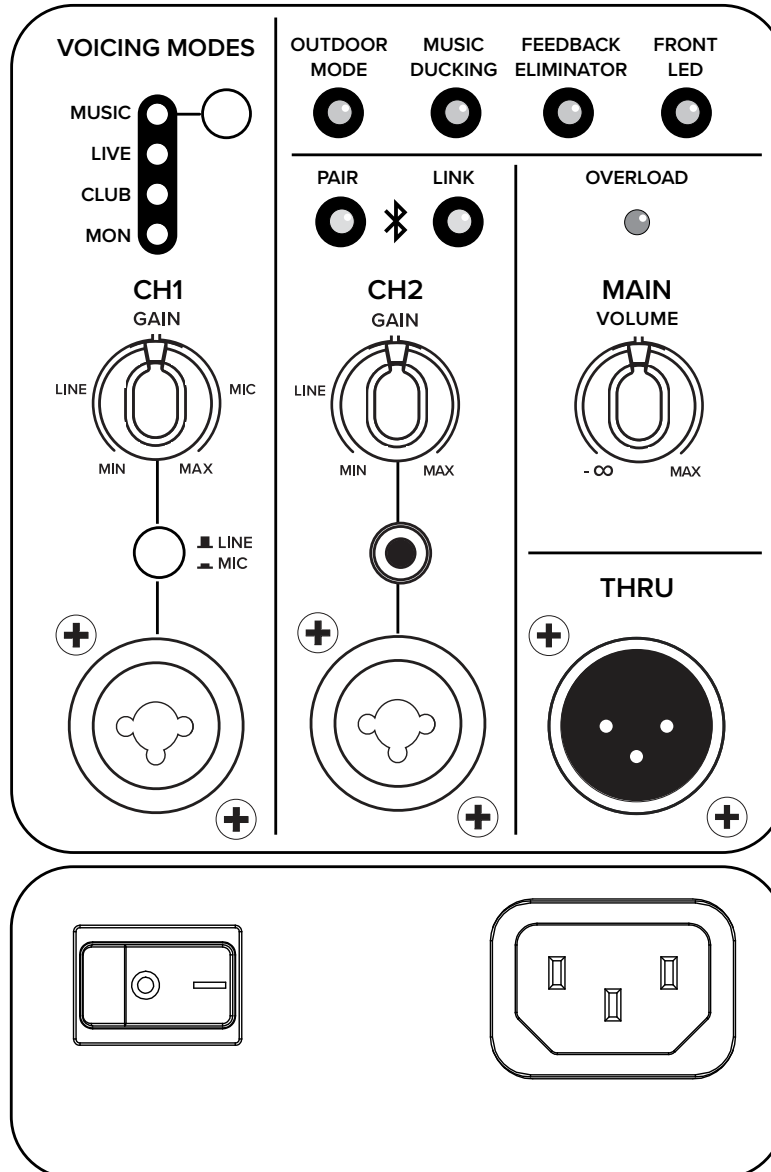
**THUMP212XT – 12" 1400W Enhanced Powered Loudspeaker**

	P/N 2053496-00 (US)
	P/N 2053496-01 (EU)
	P/N 2053496-03 (UK)
	P/N 2053496-04 (AU)
	P/N 2053496-05 (CN)
	P/N 2053496-06 (BZ -120V)
	P/N 2053496-07 (AR)
	P/N 2053496-08 (KR)

**THUMP215XT – 15" 1400W Enhanced Powered Loudspeaker**

	P/N 2053511-00 (US)
	P/N 2053511-01 (EU)
	P/N 2053511-03 (UK)
	P/N 2053511-04 (AU)
	P/N 2053511-05 (CN)
	P/N 2053511-06 (BZ -120V)
	P/N 2053511-07 (AR)
	P/N 2053511-08 (KR)

**THUMPXT 2022 SERIES BLOCK DIAGRAM**


**THUMPXT 2022 SERIES LOUDSPEAKER REAR PANEL**


Electronic files for this product are available at:  
[www.mackie.com](http://www.mackie.com)

Specification Sheet

THUMPXT\_2022\_SS.PDF

Owner's Manual

THUMPXT\_2022\_OM.PDF



www.mackie.com  
 19820 North Creek Parkway #201  
 Bothell, WA 98011 USA  
 800-898-3211, Fax 425-487-4337

Part No. SW1379 Rev. A 07/22

LOUD Audio, LLC. is always striving to improve our products by incorporating new and improved materials, components, and manufacturing methods. Therefore, we reserve the right to change these specifications at any time without notice.

"Mackie" and the "Running Man" figure are registered trademarks of LOUD Audio, LLC. All other brands mentioned are trademarks or registered trademarks of their respective holders, and are hereby acknowledged.

©2022 LOUD Audio, LLC. All rights reserved.

5/5 PAGES