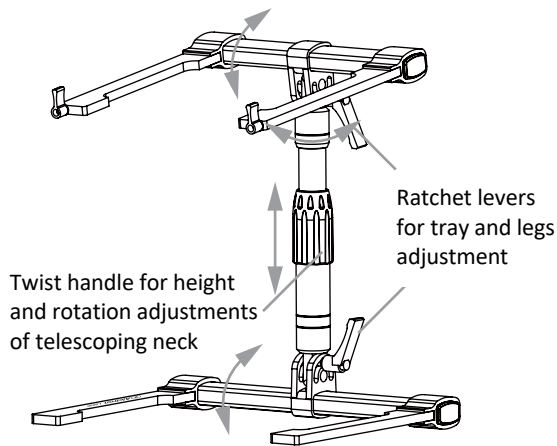
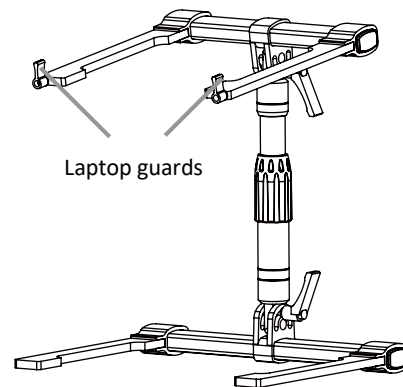


GIGASTAND SETUP

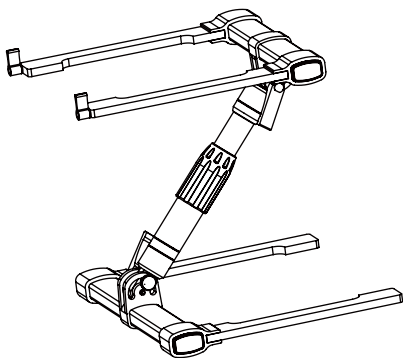
1. Unfold the stand by loosening the two ratchet levers for the tray and legs. Find your desired position and tighten the levers. *Note: Pull the lever towards you to set its angle for easier adjustments.*



2. Unfold the laptop guards to keep laptop in place. *Note: Be sure to fold the guards before folding and stowing the stand for storage or travel.*



3. The stand can be set in Z position by adjusting the angle of the tray and legs, and turning the neck 180°.



Still need help? We're available during normal business hours (Pacific time) to answer any questions you may have. Contact us online at headliner-la.com/contact/ or by phone at (818) 578-4030.

A Mixware Brand