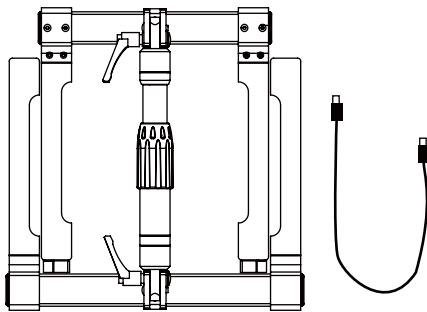


## GIGASTSAND USB

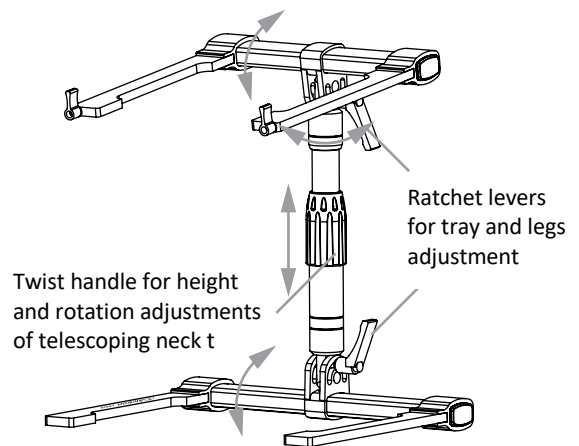
The Headliner Gigastsand USB is a fully-adjustable laptop stand with integrated USB hub. The USB hub features (4) USB 2.0 ports to connect controllers, interfaces, hard drive, and more, and (1) USB-C port to connect to the laptop.

### SETUP

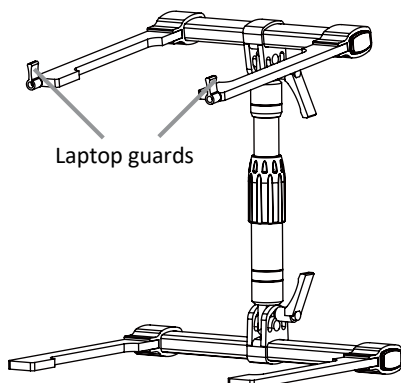
1. The Gigastand USB includes a USB-C to USB-C cable to connect your laptop. Remove the stand and cable from the box to get started.



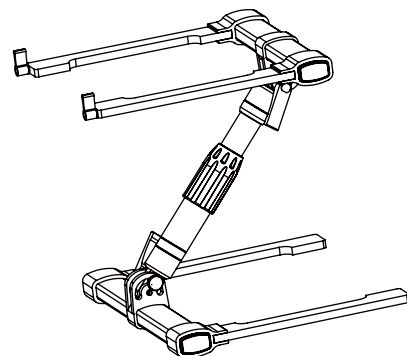
2. Unfold the stand by loosening the two ratchet levers for the tray and legs. Find your desired position and tighten the levers. *Note: Pull the lever towards you to set its angle for easier adjustments.*



3. Unfold the laptop guards to keep laptop in place. *Note: Be sure to fold the guards before folding and stowing the stand for storage or travel.*

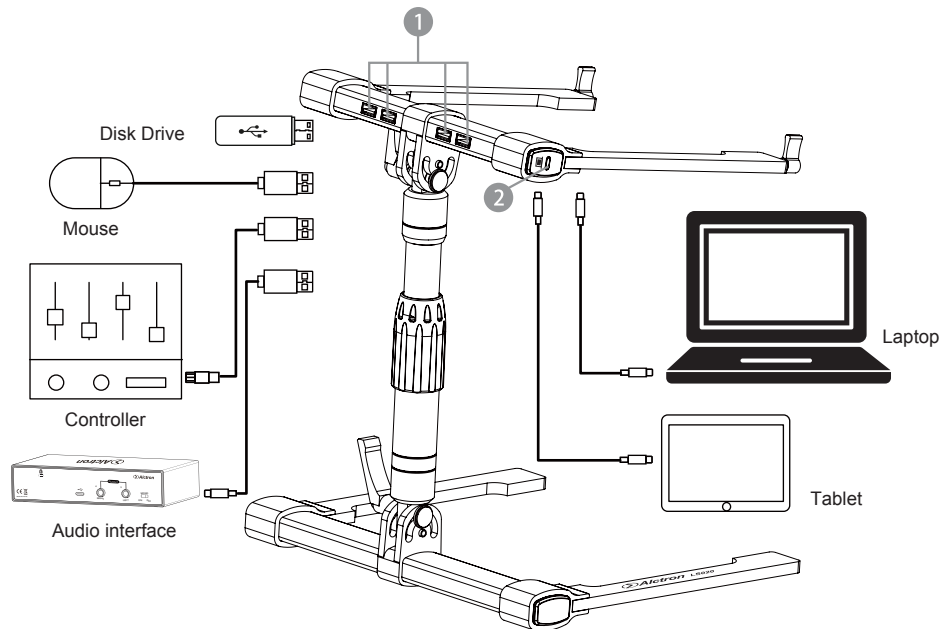


4. The stand can be set in Z position by adjusting the angle of the tray and legs, and turning the neck 180°.



# CONNECTIONS

The Headliner Gigastand is USB class-compliant and does not require any drivers to operate. It is compatible with most platforms including Mac OS, Windows, iOS, and Android.



1. Connect up to four (4) USB devices to any of the four (4) USB-A ports on the back of the stand. These ports support most USB devices such as audio interfaces, MIDI controllers, mice and other peripherals, disk drives, and more.
2. Connect your laptop or tablet to the USB-C port found on the side of the stand.

# SPECIFICATIONS

- Tray Dimensions (WxD): 250mm x 232mm / 9.8" x 9.1"
- Leg Dimensions (WxD): 250mm x 296mm / 9.8" x 11.6"
- Max height: 16" (in C position)
- Fits laptops up to 17"
- Angle adjustment of tray: +/- 90°

Still need help? We're available during normal business hours to answer any questions you may have. Contact us online at [headliner-la.com/contact/](https://headliner-la.com/contact/) or by phone at (818) 578-4030.

## A Mixware Brand

© 2022 Mixware LLC. Headliner is a trademark of Mixware LLC in the USA and other countries.  
Made in China