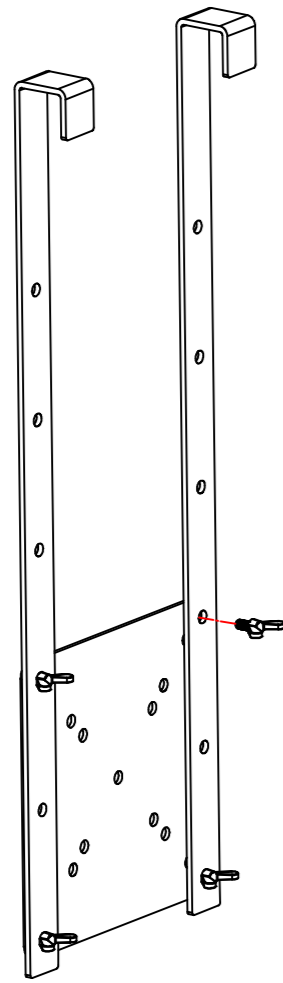
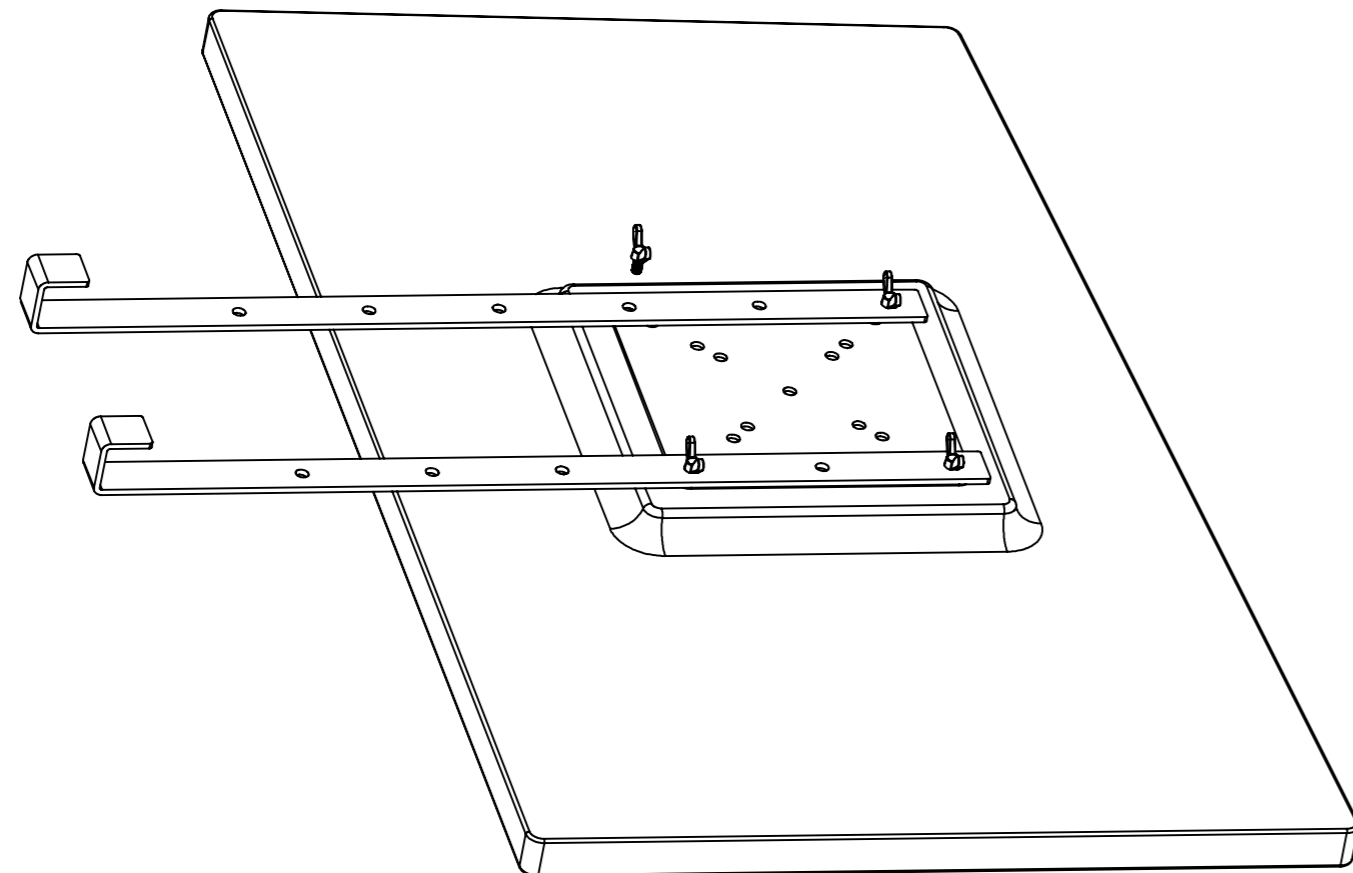


Indio TV Mount Assembly Instructions

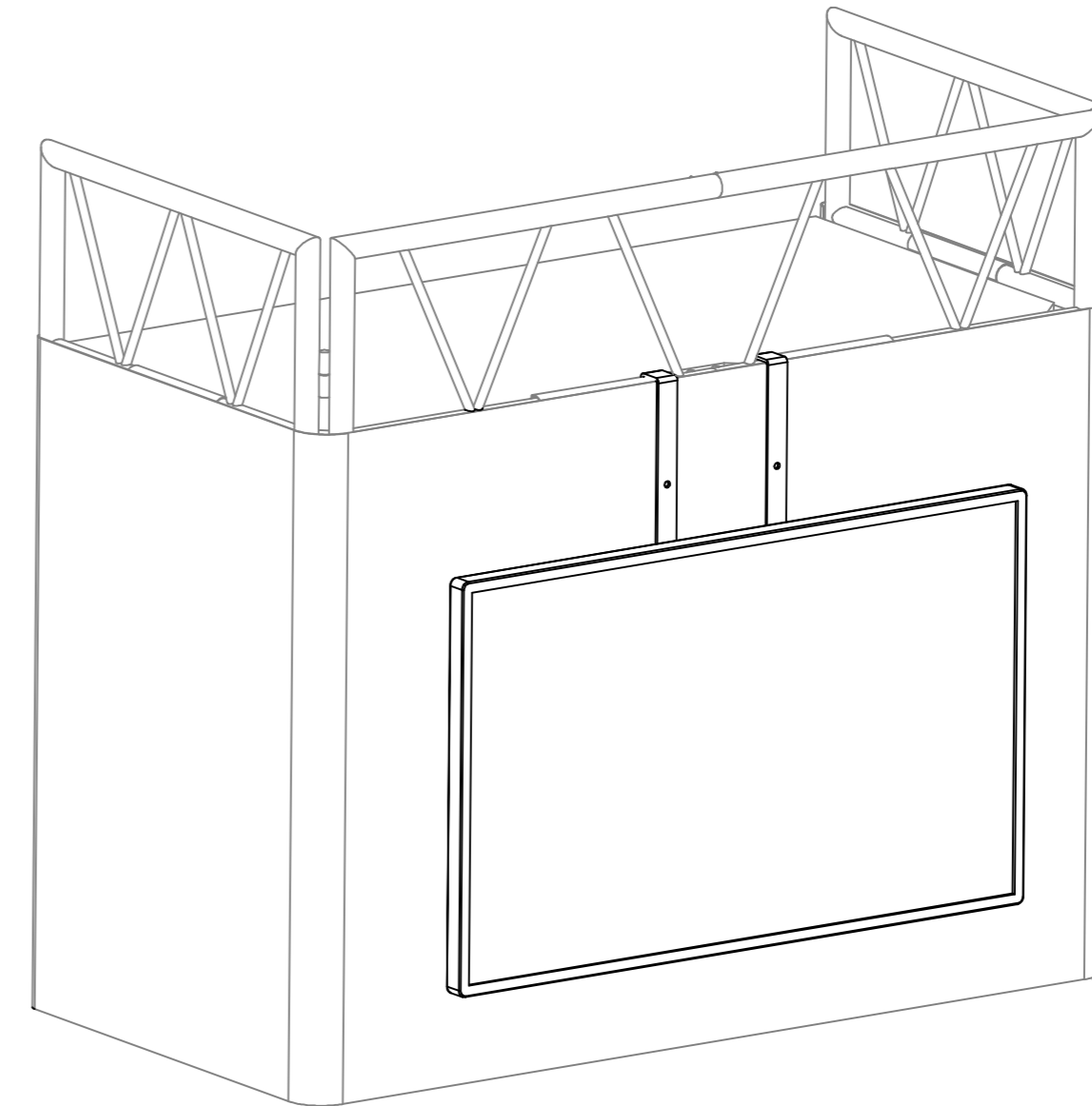


A Mixware Brand
© 2021 Mixware, LLC. All Rights Reserved. Headliner and the Headliner logo are trademarks of Mixware, LLC in the U.S. and other countries. All specifications subject to change without notice.

1



Lay the TV face down on a soft surface. Place the VESA mounting plate on the back of the TV, lining up the holes on the TV with the holes on the plate (the mounting plate is compatible with VESA 200, 100, or 75 sizes). Position the hanging bars over the mounting plate at the desired height, aligning the mounting holes with the holes on the plate, and use (4) wing bolts to secure in place.



Hang TV assembly from the middle aluminum tube on front of the booth.

