



**CLUB-ZOOM2810**  
CODE: 16-2012

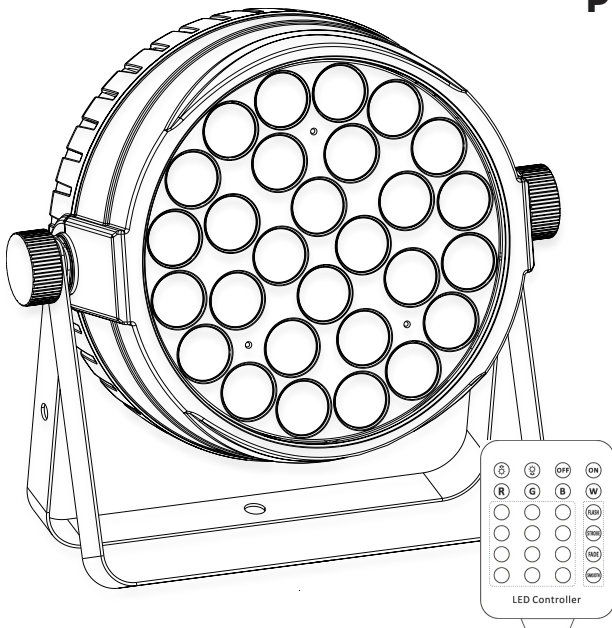
**LED PAR PROJECTOR 28 X 10W RGBW  
WITH PIXEL GROUP CONTROL**

**PROJECTEUR PAR A LED RGBW 28 X 10W AVEC  
ZOOM PAR QUARTIERS**

**LED PAR STRAHLER 28 X 10W RGBW  
MIT GRUPPENZOOM**

**LED PAR PROJECTOR 28 X 10W RGBW  
MET ZOOM PER GROEP**

**PROYECTOR PAR DE LED RGBW 28 X 10W  
CON ZOOM POR ZONAS**



**Illustrations - p. 2**

**DMX channels - p. 3-5**

**GB - User Manual - p. 6**

**F - Manuel d'Utilisation - p. 9**

**D - Bedienungsanleitung - S. 13**

**NL - Handleiding - p. 17**

**ES - Manual de Uso - p. 21**



*View the item on our website*



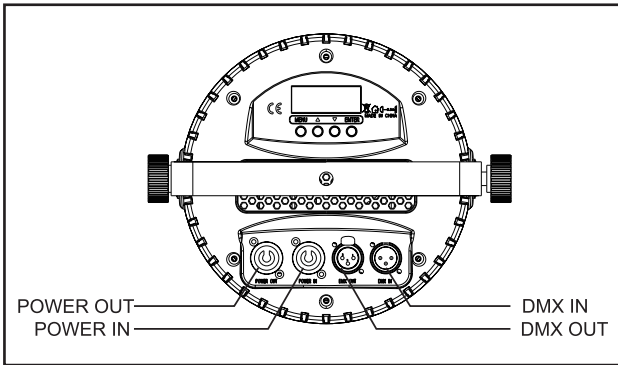
*Assembled in PRC*

**Designed by LOTRONIC S.A.**

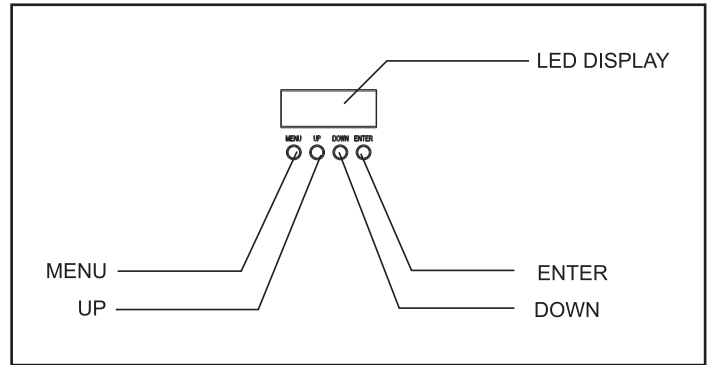
*Av. Z. Gramme 9*

*B - 1480 Saintes*

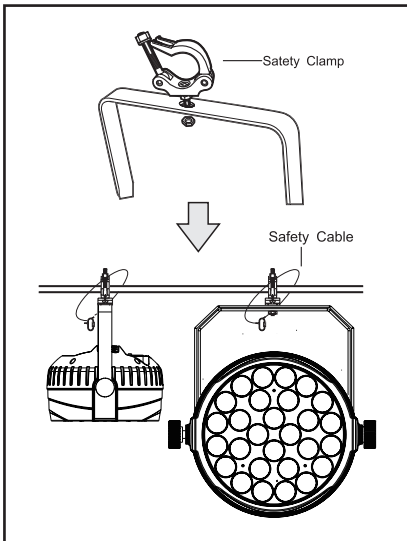
### CONNECTORS (fig. 1)



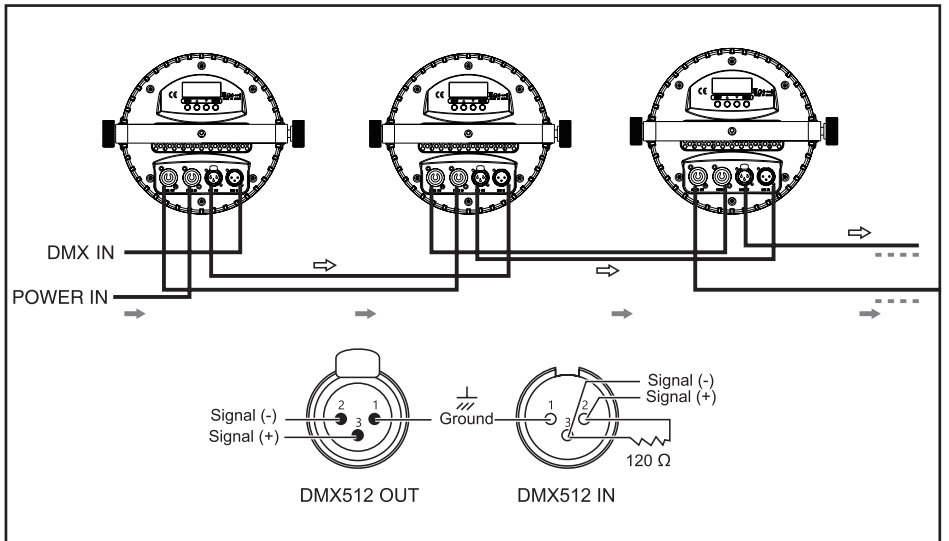
### DISPLAY (fig. 2)



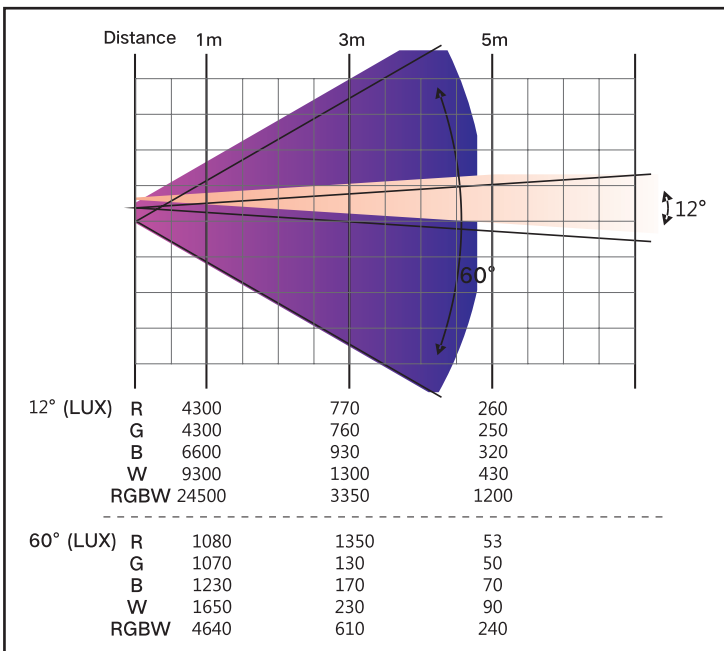
### INSTALLATION DIAGRAM (fig. 3)



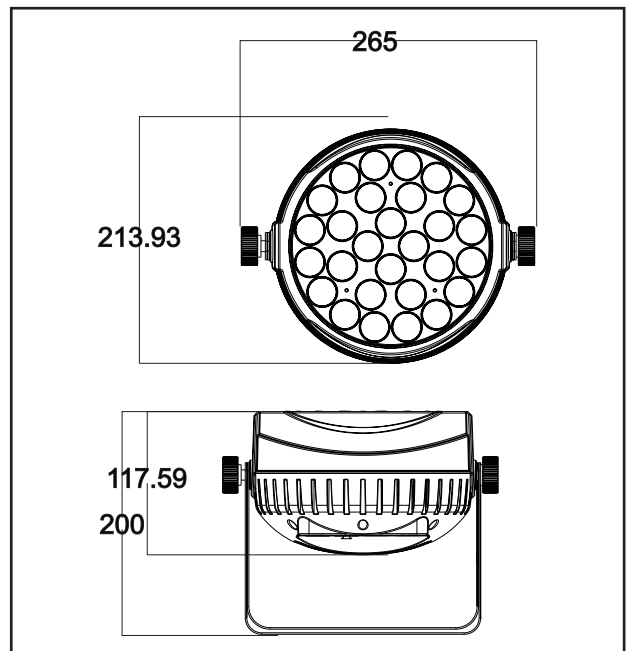
### FIXTURE LINKING (fig. 4)



### PHOTOMETRIC DIAGRAM (fig. 5)



### DIMENSIONS (fig. 6)



# DMX CHANNELS

CH13	CH29		
1	1		<b>Dimmer</b>
		0..255	Dimmer 0%...100%
2	2		<b>Shutter</b>
		0..31	Shutter closed
		32..63	shutter open
		64..95	Strobe effect slow to fast
		96..127	shutter open
		128..159	Pulse-effect in sequences slow to fast
		160..191	shutter open
		192..223	Random strobe effect slow to fast
		224..255	shutter open
		3	3
0..255	0-100% Red dimmer from dark to bright		
4	4		<b>Green</b>
		0..255	0-100% Green dimmer from dark to bright
5	5		<b>Blue</b>
		0..255	0-100% Blue dimmer from dark to bright
6	6		<b>White</b>
		0..255	0-100% White dimmer from dark to bright
7	7		<b>Focus</b>
		0..255	In(near) to out(far)
	8		<b>Red1</b>
		0..255	Red in pixel 1 saturation control (0-100%)
	9		<b>Green1</b>
		0..255	Red in pixel 1 saturation control (0-100%)
	10		<b>Blue1</b>
		0..255	Red in pixel 1 saturation control (0-100%)
	11		<b>White1</b>
		0..255	Red in pixel 1 saturation control (0-100%)
	12		<b>Red2</b>
		0..255	Red in pixel 2 saturation control (0-100%)
	13		<b>Green2</b>
		0..255	Red in pixel 2 saturation control (0-100%)
	14		<b>Blue2</b>
		0..255	Red in pixel 2 saturation control (0-100%)
	15		<b>White2</b>
		0..255	Red in pixel 2 saturation control (0-100%)
	16		<b>Red3</b>
		0..255	Red in pixel 3 saturation control (0-100%)
	17		<b>Green3</b>
		0..255	Red in pixel 3 saturation control (0-100%)
	18		<b>Blue3</b>
		0..255	Red in pixel 3 saturation control (0-100%)

	19		<b>White3</b>
		0..255	Red in pixel 3 saturation control (0-100%)
	20		<b>Red4</b>
		0..255	Red in pixel 4 saturation control (0-100%)
	21		<b>Green4</b>
		0..255	Red in pixel 4 saturation control (0-100%)
	22		<b>Blue4</b>
		0..255	Red in pixel 4 saturation control (0-100%)
	23		<b>White4</b>
		0..255	Red in pixel 4 saturation control (0-100%)
8	24		<b>Macro Color</b>
		0..15	No Function
		16..31	Red
		32..47	Green
		48..63	Blue
		64..79	White
		80..95	Red+Green
		96..111	Red+Blue
		112..127	Red+White
		128..143	Green+Blue
		144..159	Green+White
		160..175	Blue+Wtihe
		176..191	R+G+B
		192..207	R+G+B+W
		208..212	2700K
		213..217	3200K
		218..222	3500K
		223..227	5000K
		228..232	5500K
		233..237	6000K
238..242	6500K		
243..247	7000K		
248..255	8000K		
9	25		<b>Color Temp</b>
		0..15	No Function
		16..45	Below 3200K
		46..75	3200K - 3500K
		76..105	3500K - 5000K
		106..135	5000K - 5500K
		136..165	5500K - 6000K
		166..195	6000K - 6500K
		196..225	6500K - 7000K
		226..255	7000K - 8000K


10	26		<b>Macro RUN</b>
		0..15	No function
		16..31	Macro Run 1
		32..47	Macro Run 2
		48..63	Macro Run 3
		64..79	Macro Run 4
		80..95	Macro Run 5
		96..111	Macro Run 6
		112..127	Macro Run 7
		128..143	Macro Run 8
		144..159	Macro Sound 1
		160..175	Macro Sound 2
		176..191	Macro Sound 3
		192..207	Macro Sound 4
		208..223	Macro Sound 5
		224..239	Macro Sound 6
		240..255	Macro Sound 7
11	27		<b>Macro Speed</b>
		0..255	Macro Speed from Slow To Fast
12	28		<b>Dynamic Rotate</b>
		0..15	No function
		16..31	Dynamic Rotate 1
		32..47	Dynamic Rotate 2
		48..63	Dynamic Rotate 3
		64..79	Dynamic Rotate 4
		80..95	Dynamic Rotate 5
		96..111	Dynamic Rotate 6
		112..127	Dynamic Rotate 7
		128..143	Dynamic Rotate 8
		144..159	Dynamic Rotate 9
		160..175	Dynamic Rotate 10
		176..191	Dynamic Rotate 11
		192..207	Dynamic Rotate 12
		208..223	Dynamic Rotate 13
224..239	Dynamic Rotate 14		
240..255	Dynamic Rotate 15		
13	29		<b>Dynamic Rotate Speed</b>
		0..255	from Slow To Fast


# USER MANUAL


## FEATURES

- 28x 10W RGBW LED
- 13/29 DMX channels
- Smooth electronic linear zoom 12-60°
- CTB & CTO, linear colour temperature adjustment from 2800-8000°K
- Strobe & pulse strobe effect
- Auto, DMX, master-slave, music and remote controlled operation
- Powercon in-/outputs
- IR remote control included

## EXPLANATION OF SYMBOLS


 The triangle containing a lightning symbol is used to indicate whenever your health is at risk (due to electrocution, for example).

 An exclamation mark in a triangle indicates particular risks in handling or operating the appliance.

 The unit complies with UK standards

 For indoor use only



 Protection class I. Requires an earth connection

 Minimum distance between the appliance and other objects

 Don't stare into the light beam



## SAFETY RECOMMENDATIONS

- Please read these instructions carefully, they include important information about the installation, usage and maintenance of this product.
- Please keep this User Guide for future reference.
- Always make sure that you are connecting to the proper voltage, and that the line voltage you are connecting to is not higher than that stated on the bottom of the fixture.
- The appliance is part of class I and must exclusively connected to an earthed mains outlet.
- This product is intended for indoor use only! 
- To prevent risk of fire or shock, do not expose fixture to rain or moisture. Make sure there are no flammable materials close to the unit while operating.
- The unit must be installed in a location with adequate ventilation, at least 20in (50cm) from adjacent surfaces. Be sure that no ventilation slots are blocked.
- The minimum distance luminaire from that part of the luminaire or lamp to the lighted object is 0.5m. 
- The max. ambient temperature (Ta) is 40°C. Don't operate the fixture at higher temperatures.
- The surface temperature of the unit may reach up to 85°C. DO NOT TOUCH the housing bare-hand during its operation. Turn off the power and allow about 20 minutes for the unit to cool down before replacing or servicing.
- DO NOT OPEN the unit within 5 minutes after switching off.
- In the event of a serious operating problem, stop using the unit immediately. Never try to repair the unit by yourself. Repairs carried out by unskilled people can lead to damage or malfunction.

Please contact the nearest authorized technical assistance center. Always use the same type of spare parts.

- Make sure the power cord is never crimped or damaged.
- Avoid direct eye exposure to the light source while it is on as sensitive persons may suffer an epileptic shock (especially meant for epileptics)!
- The product is for decorative purposes only and not suitable as a household room illumination.
- If the external flexible cable or cord of this luminaire is damaged, it shall be exclusively replaced by the manufacturer or his service agent or a similar qualified person in order to avoid a hazard.
- The lenses, housing or ultraviolet filter must be replaced if they are visibly damaged.
- Please note that the lamp of this device cannot be replaced. If the lamp is faulty, the unit must be discarded

### **DISCONNECT DEVICE**

Please note that the unit DOES NOT have an ON/OFF switch. Please unplug the unit to remove complete the power from the internal circuits before cleaning or servicing. Therefore, the disconnect device shall remain readily accessible.

### **FUSE REPLACEMENT**

Disconnect the power cord before replacing a fuse and always replace with the same type fuse.

With a screwdriver wedge the fuse holder out of its housing.

Remove the damaged fuse from its holder and replace with exactly the same type of fuse.

Insert the fuse holder back in its place and reconnect power.

Warning: If after replacing the fuse you continue to blow fuses, STOP using the unit. Contact customer support for further instructions. Continuing to use the unit may cause serious damage.

### **FIXTURE LINKING (FIG4)**

You will need a serial data link to run light shows of one or more fixtures using a DMX-512 controller or to run synchronized shows on two or more fixtures set to a master/slave operating mode. The combined number of channels required by all fixtures on a serial data link determines the number of fixtures that the data link can support.

**Important:** Fixtures on a serial/data link must be daisy chained in one single line.

### **DATA CABLING**

To link fixtures together you must use data cables. If you choose to create your own cable, please use data-grade cables that can carry a high quality signal and are less prone to electromagnetic interference.

### **DMX CONNECTOR CONFIGURATION**

Termination reduces signal errors. To avoid signal transmission problems and interference, it is always advisable to connect a DMX signal terminator.

### **INSTALLATION (FIG.3)**

The unit should be mounted via its screw holes on the bracket. Always ensure that the unit is firmly fixed to avoid vibration and slipping while operating. Always ensure that the structure to which you are attaching the unit is secure and is able to support a weight of 10 times of the unit's weight.

The installation must always be secured with a secondary safety attachment, e.g. an appropriate safety rope. Never stand directly below the device when mounting, removing or servicing the fixture. This fixture may be mounted in any position provided there is adequate room for ventilation.

### **POWER LINK**

Connect a POWERCON cable from the POWER OUT connector of the 1st unit to the POWER IN connector of the second unit, etc.

### **CONTROL PANEL (FIG. 2)**

To access the main menu press the MENU button. Press the UP or DOWN buttons until you reach function you wish to change. When you reach the function you wish to change, press the ENTER button. When a function is selected, use the UP or DOWN buttons to change the function settings.

Once your changes are made, press the ENTER button.

Check the following function table :

MENU			DESCRIPTION	
RUN MODE	ADDR	VALU	A001~A XXX (AXXX)	
		SLAV		
	AUTO	Program1	ALON /(AU-A)	SP_1~SP_5 (Speed)
		...	MAST /AU-M)	
		Program8		
	SOUN	Program1-7	ALONE	Sound control (alone)
MASTER			Sound control (Master)	
SET	MIC	M-00-99%	Mic sensitivity setting	
	RELOAD	ON/OFF	Reload data	
	VERSION	V-2.0	Software version	
	CAL	Code (password: 088)		Input password
CH03-CH06		Calibration		
DMX	CH13		13CH	
	CH29		29CH	
REST	ON/OFF		Reset to factory default	
MANU	RXXX	000-255	Red dimmer	
	GXXX	000-255	Green dimmer	
	BXXX	000-255	Blue dimmer	
	WXXX	000-255	White dimmer	
	FXXX	000-255	F stands for ZOOM function	
TEMP	TXXX		Current temperature	

DMX channel chart: please refer to page 3-5

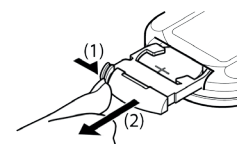
### IR REMOTE CONTROLLER

Please operate the remote control within a distance of 6m and 30° between the remote and the appliance. Aim the remote at the sensor. Remove all obstacles between the remote and the sensor. The remote control might not work properly if the sensor is exposed to strong sunshine.

If the remote control doesn't work properly, please check the batteries.

### INSTALLING THE BATTERIES IN THE REMOTE CONTROL

- Place the remote face down on a flat surface.
- Push the compartment cover into the direction of the arrow.
- Slide the battery compartment open.
- Remove the old battery and install the new one (CR2025) with the plus (+) symbol facing up.
- Gently slide the battery compartment closed. It locks automatically.



### RECOMMENDATIONS FOR BATTERIES



This symbol indicates that used batteries should not be disposed of with household waste but deposited correctly in accordance with your local regulations.

Batteries shall not be exposed to excessive heat such as sunshine, fire or the like.

When the internal batteries are not to be used, remove them to avoid damage caused by battery leakage or corrosion.

ATTENTION: Danger of explosion if battery is incorrectly placed. Only replace by the same or equivalent type.

WARNING :Do not swallow the battery. Danger of chemical burns. Keep new and old batteries out of the reach of children.



If the battery compartment doesn't close properly, stop using the product and keep it out of the reach of children.

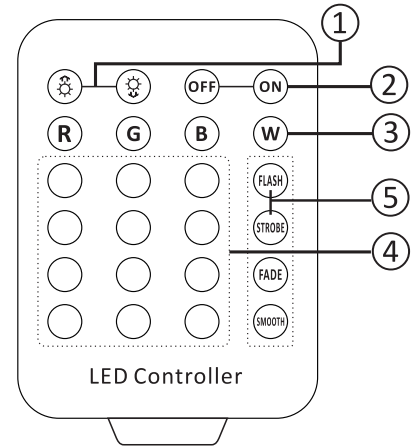
If you are in doubt whether the batteries have been swallowed or introduced into any other part of the body, contact immediately a doctor.



## REMOTE CONTROL

**NOTE: PLEASE SET THE UNIT TO MODE -> ADDR, OTHERWISE THE REMOTE CONTROL WILL NOT WORK**

1. BRIGHTNESS & SPEED adjustment: Press  or  to set the brightness and speed in programme mode
2. ON/OFF of the LEDs.
3. SELECT BASIC COLOR:  
R: Red  
G: Green  
B: Blue  
W: White
4. COLOUR BUTTONS: For constant lighting of one colour, press the corresponding button.
5. SELECT AN INTERNAL PROGRAMME  
FLASH: Colour change  
STROBE: Colour strobe  
FADE: Colour fade



## CLEANING AND USING FREQUENCY OF PRODUCT

Please make sure that the light is power off before dismantling or maintaining, it's very important to keep the light clean. Frequent cleaning will ensure maximum brightness output, but also prolong the life time. It's suggested to use the high quality, professional glass detergent and soft cloth to clean the light. It's not allowed to use alcohol or chemical solvent.

The front objective lens requires weekly cleaning as smoke-fluid tends to build up residues, thus reducing the light output very quickly. The cooling fans should be cleaned monthly.

The inner part of the light should be cleaned by vacuum cleaner or an air-jet at least once a year.

Important! Check the air filters periodically and clean before they become clogged!

Clean the two air filters that are placed in the fixture's covers and two in the fixture's base. Use a vacuum cleaner, compressed air or wash and dry them before they put them back.

After replacing the air filters, reset the elapsed time counter in the menu "Information" (Information -> Air Filters -> Elapsed time.)

When the light doesn't work, please check if the fuse is burnt out or not. If it is, the same fuse should be replaced, find out the faulty and restart the light. But please note the repair must be handled by professional.

## TECHNICAL SPECIFICATIONS

Power Supply .....	90-240V~50/60Hz
Consumption .....	285W
Light source .....	28 x 10W RGBW LED
Dimensions .....	265 x 213 x 117mm
Weight .....	2.54kg

 **IMPORTANT NOTE:** Electric products must not be put into household waste. Please bring them to a recycling centre. Ask your local authorities or your dealer about the way to proceed.








## MANUEL D'UTILISATION

### DESCRIPTION

- 28 LED 10W RGBW
- 13/29 canaux DMX
- Zoom linéaire électronique 12-60°
- CTB & CTO, réglage linéaire de la température de couleur de 2800-8000°K



- Effet strobo & impulsion strobo
- Fonctionnement automatique, DMX, maître-esclave, commandé par la musique ou la télécommande fournie
- Entrées / Sorties Powercon
- Livré avec télécommande IR

## EXPLICATION DES SYMBOLES

-  L'éclair dans le triangle attire l'attention sur un danger physique (due à une électrocution p. ex.).
-  Le point d'exclamation dans le triangle indique un risque dans la manipulation ou l'utilisation de l'appareil.
-  L'appareil est conforme à la norme CE
-  Uniquement pour utilisation à l'intérieur
-  Distance minimale entre l'appareil et d'autres objets
-  Classe de protection I: Mise à la terre obligatoire
-  Ne pas regarder directement dans le rayon lumineux



## CONSIGNES DE SECURITE

- Lisez attentivement ce manuel qui contient des informations importantes sur l'installation, l'utilisation et l'entretien de cet appareil.
- Conservez le manuel pour référence ultérieure. Si l'appareil change un jour de propriétaire, assurez-vous que le nouvel utilisateur est en possession du manuel.
- Assurez-vous que la tension secteur convient à cet appareil et qu'elle ne dépasse pas la tension d'alimentation indiqué sur la plaque signalétique de l'appareil.
- Cet appareil fait partie de la classe I et doit être impérativement branché sur une prise secteur avec terre.
- Uniquement pour utilisation à l'intérieur! 
- Afin d'éviter tout risque d'incendie ou de choc électrique, ne pas exposer cet appareil à la pluie ou à l'humidité. Assurez-vous qu'aucun objet inflammable ne se trouve à proximité de l'appareil pendant son fonctionnement.
- Installez l'appareil à un endroit bien ventilé à une distance minimum de 50cm de toute surface. Assurez-vous que les fentes de ventilation ne sont pas bloquées.
- La distance minimale entre le luminaire et l'objet éclairé doit s'élever à 0,5m.. 
- Ne pas faire fonctionner cet appareil pendant plus de 8 heures en continu. Laissez-le refroidir avant de l'utiliser à nouveau afin de prolonger sa durée de vie.
- Débranchez l'appareil du secteur avant toute manipulation ou entretien.
- La température ambiante ne doit pas dépasser 40°C. Ne pas faire fonctionner l'appareil à des températures supérieures.
- Le boîtier peut atteindre 85°C. Ne pas toucher le boîtier les mains nues pendant le fonctionnement. Coupez l'alimentation et attendez 20 minutes que l'appareil refroidisse avant d'effectuer une intervention.
- NE PAS OUVRIR le boîtier dans les 5 minutes suivant l'arrêt.
- En cas de dysfonctionnement, arrêtez immédiatement l'appareil. N'essayez jamais de réparer l'appareil par vous-même. Une réparation mal faite peut entraîner des dommages et des dysfonctionnements. Contactez un service technique agréé. Utilisez uniquement des pièces détachées identiques aux pièces d'origine.
- Assurez-vous que le cordon d'alimentation n'est jamais écrasé ni endommagé.
- Ne jamais débrancher l'appareil en tirant sur le cordon.
- Ne pas exposer vos yeux à la source lumineuse.

- Le luminaire ne doit servir qu'à des fins décoratives et ne convient pas comme éclairage domestique normal.
- Si le cordon secteur de l'appareil est endommagé, il ne doit être remplacé que par le fabricant ou son agent ou bien un technicien qualifié afin d'éviter tout risque d'électrocution..
- Remplacez immédiatement les lentilles, le boîtier ou le filtre UV s'ils présentent des dommages.
- La source lumineuse n'est pas remplaçable. Si elle est défectueuse, l'appareil doit être mis au rebut.

## DISPOSITIF DE COUPURE

ATTENTION: L'appareil ne possède pas d'interrupteur MARCHE/ARRET. Veillez à le débrancher du secteur après chaque utilisation afin de mettre les circuits internes hors tension et avant d'effectuer des travaux d'entretien ou de maintenance. Il est donc primordial que le dispositif de coupure secteur utilisé reste facilement accessible à tout moment.

## REPLACEMENT DU FUSIBLE

Sortez le porte-fusible de son logement à l'aide d'un tournevis. Sortez le fusible grillé et remplacez-le par un autre en tous points identiques. Remettez le porte-fusible dans son logement et rebranchez l'appareil sur le secteur.

*Attention : Si le fusible continue à sauter après avoir été remplacé, ARRÊTEZ l'appareil. Contactez votre revendeur. Vous risquez d'endommager l'appareil si vous continuez à l'utiliser.*

## CONNEXION DE L'ALIMENTATION ET DU CÂBLE SIGNAL (FIG. 4)

### 1. Connexion de l'alimentation secteur

Utilisez le cordon fourni pour brancher l'appareil sur le secteur. Assurez-vous que la tension et la fréquence du secteur correspond à la tension et la fréquence d'alimentation de l'appareil, à savoir: 90-240V~50/60Hz. Chaque appareil doit pouvoir être mis sous et hors tension individuellement.

### 2. Connexion du câble signal

La connexion entre la sortie du Maître et l'entrée de l'Esclave se fait au moyen du cordon XLR à 3 broches fourni. La sortie DMX de la console de commande doit être branchée sur l'entrée DMX du premier Maître. Branchez la sortie DMX du Maître sur l'entrée DMX de l'Esclave et ainsi de suite jusqu'au dernier Esclave. Branchez une terminaison sur la sortie du dernier appareil afin d'éviter des parasites. Cette résistance de fin de ligne consiste en une fiche XLR qui comporte une résistance de 120Ω entre les broches 2 et 3.

*Note: Utilisez du câble à double blindage. Le diamètre du conducteur de chaque câble doit être d'au moins 0,5mm.*

## ALIMENTATION EN CASCADE

Branchez un cordon POWERCON sur la fiche POWER OUT du 1er appareil et sur la fiche POWER IN du second appareil, et ainsi de suite.

## INSTALLATION (FIG. 3)

- Fixez l'appareil au moyen des trous de vis sur l'étrier. Assurez-vous que l'appareil est solidement fixé pour éviter des vibrations et des mouvements pendant le fonctionnement. Veillez toujours à ce que la structure qui accueille l'appareil, est suffisamment solide et capable de porter au moins 10 fois le poids propre de l'appareil.
- L'appareil doit être fixé par des professionnels à un endroit où il est hors de portée des personnes et en dehors d'un chemin de passage.
- Vous pouvez installer cet appareil dans n'importe quelle position pourvu qu'il y ait une ventilation suffisante. Lors du choix d'un emplacement, tenez compte de la facilité d'accès à l'appareil pour des travaux de maintenance et de nettoyage.
- Ne jamais installer l'appareil à un endroit exposé à la pluie, l'humidité, aux changements de température importants et présentant une ventilation limitée.

## PANNEAU DE CONTRÔLE (FIG. 2)

Utilisez le bouton Menu pour choisir une fonction.

Appuyez sur le bouton Enter pour entrer dans le menu de la fonction sélectionnée

Utilisez les boutons Up et Down pour paramétrer la fonction puis appuyez sur Enter pour valider vos choix.

MENU				DESCRIPTION	
MODE	ADDR	VALU	A001~A XXX (Axxx)	Réglage de l'adresse DMX	
		SLAV		Mode autonome	
	AUTO	Programme 1-8	ALON /(AU-A)	SP_1~SP_5 (Speed)	Programme interne (auto) avec réglage de vitesse
			MAST /AU-M)		Automatique (Master) avec réglage de vitesse
	SOUN	Programme 1-7	ALONE		Mode musical (auto)
			MASTER		Mode musical (Master)
SET	MIC	M-00-99%		Réglage sensibilité micro	
	RELOAD	ON/OFF		Remonter les données	
	VERSION	V-2.0		Version logiciel	
	CAL	Code (password: 088)		Entrer le mot de passe	
		CH03-CH06		Calibrage	
DMX	CH13			13 canaux	
	CH29			29 canaux	
REST	ON/OFF			Remise à zéro totale	
MANU	RXXX	C000-255		Dimmer rouge	
	GXXX	C000-255		Dimmer vert	
	BXXX	C000-255		Dimmer bleu	
	WXXX	C000-255		Dimmer blanc	
	FXXX	C000-255		Fonction ZOOM	
TEMP	TXXX			Température actuelle	

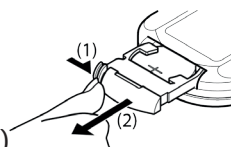
## La charte des canaux DMX se trouve sur les pages 3-5

### Utilisation de la Télécommande

Utilisez la télécommande à une distance maximale de 6m et un rayon de 30° par rapport à l'appareil. Pointez la télécommande en direction du capteur. Il ne doit pas y avoir d'obstacle entre la télécommande et le capteur. La télécommande risque de ne pas fonctionner lorsque le capteur est soumis à une forte lumière. Si la télécommande ne fonctionne pas, vérifiez les piles

### INSTALLATION DE LA PILE

- Placez la télécommande face vers le bas sur une surface plane.
- Poussez le couvercle du compartiment dans le sens de la flèche.
- Faites glisser le compartiment de la batterie pour l'ouvrir.
- Retirez l'ancienne pile et installez la nouvelle (CR2025) avec le symbole plus (+) vers le haut.
- Faites glisser doucement le compartiment à piles pour le fermer. Il se verrouille automatiquement.



### RECOMMANDATIONS POUR LES BATTERIES



Ce pictogramme indique que les piles et batteries usagées ne doivent pas être jetées avec les ordures ménagères, mais déposées dans des points de collecte séparés pour être recyclées. Tenir les piles à l'abri d'une chaleur excessive telle que le soleil, le feu ou similaires.

Lorsque les piles ne sont pas utilisées, retirez-les pour éviter les dommages causés par des fuites ou la corrosion de la pile.



**ATTENTION:** Danger d'explosion si la pile n'est pas remplacée correctement. Ne remplacer que par le même type ou un type équivalent.

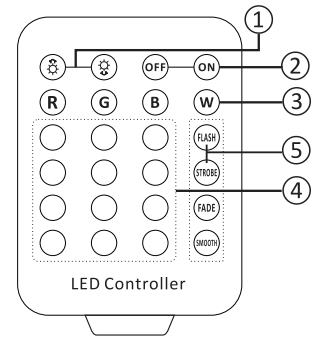
**AVERTISSEMENT:** Ne pas ingérer la pile. Danger de brûlure chimique. En cas de doute concernant le fait que les piles pourraient avoir été avalées ou introduites dans une partie quelconque du corps, consulter immédiatement un médecin.

Conserver les piles neuves et usées hors de portée des enfants. Si le compartiment à pile ne se ferme pas correctement, cesser d'utiliser le produit et tenir hors de portée des enfants.

## DESCRIPTION TÉLÉCOMMANDE

**ATTENTION : VOUS DEVEZ RÉGLER L'APPAREIL SUR MODE -> ADDR, SINON LA TÉLÉCOMMANDE NE FONCTIONNERA PAS**

1. Réglage de LUMINOSITE & VITESSE: Appuyez sur  ou  pour régler la luminosité et la vitesse en mode automatique
2. M/A des LEDs.
3. CHOIX DE LA COULEUR DE BASE: Rouge, vert, bleu ou blanc (R+G+B)
4. COULEURS: Pour allumer toutes les LED dans la même couleurs, appuyez sur la touche de couleur correspondante.
5. SELECTION D'UN PROGRAMME INTERNE:  
Flash: Changement de couleur  
Strobe: Strobe couleur  
Fade: Transition des couleurs  
Smooth: Changement de couleurs et strobo



Attention : La télécommande est infrarouge. Pointez la bien vers la face du projecteur led ( car le capteur est situé au milieu de la façade )

## ENTRETIEN

Débranchez l'appareil du secteur avant d'effectuer le nettoyage ou la maintenance. Utilisez un produit de nettoyage à vitre de bonne qualité et un chiffon doux pour nettoyer l'appareil. Ne pas utiliser d'alcool ou de solvants chimiques pour nettoyer l'appareil. Nettoyez l'intérieur de l'appareil une fois par an au moyen d'un aspirateur.

Si la lampe ne fonctionne pas, vérifiez si le fusible a sauté. Si c'est le cas, remplacez le fusible par un neuf qui présente exactement les mêmes caractéristiques techniques que le fusible d'origine. Remettez la lampe sous tension. Notez que toute réparation doit être effectuée par un professionnel.

## CARACTÉRISTIQUES TECHNIQUES

Alimentation.....	90-240V~50/60Hz
Consommation.....	285W
Source lumineuse.....	28 LED RGBW de 10W
Dimensions.....	265 x 213 x 117mm
Poids.....	2.54kg

 **NOTE IMPORTANTE :** Les produits électriques ne doivent pas être mis au rebut avec les ordures ménagères. Veuillez les faire recycler là où il existe des centres pour cela. Consultez les autorités locales ou votre revendeur sur la façon de les recycler.


## BEDIENUNGSANLEITUNG

### FEATURES

- 28x 10W RGBW LED
- 13/29 DMX Kanäle
- Glatter elektronischer, linearer Zoom 12-60°
- CTB & CTO, lineare Farbtemperatureinstellung von 2800-8000°K
- Strobe & Pulse Strobe Effekt
- Auto, DMX, Master-Slave, Musik oder ferngesteuerter Betrieb
- Powercon Ein- / Ausgänge
- IR Fernbedienung

### ZEICHENERKLÄRUNG

 Der Blitz im Dreieck weist auf Gesundheitsrisiken hin (z.B. Stromschlag)

 Das Ausrufezeichen im Dreieck weist auf besondere Gefahren im Umgang oder Betrieb des Geräts hin.

 Das Gerät entspricht der CE Norm

 Nur für Innengebrauch

 Mindestabstand zwischen dem Gerät und andere Gegenständen



 Schutzklasse I: Nur an eine geerdete Netzsteckdose mit Schutzkontakt anschließen

 Niemals direkt in den Lichtstrahl blicken



Vor der ersten Inbetriebnahme des Geräts sorgfältig die Anleitung durchlesen.

## SICHERHEITSHINWEISE

- Diese Anleitung sorgfältig vor der ersten Inbetriebnahme lesen. Sie enthält wichtige Informationen über Installation, Gebrauch und Instandhaltung des Geräts.
- Stets die Netzspannung vor Anschluss des Geräts überprüfen Sie muss mit der auf der Rückseite des Geräts angegebenen Spannung übereinstimmen und darf auf keinen Fall höher sein.
- Das Gerät gehört zur Schutzklasse 1 und darf nur an eine Steckdose mit Schutzkontakt angeschlossen werden.
- Nur für Innengebrauch! 
- Um Brand und Stromschlag zu vermeiden, das Gerät vor Regen und Feuchtigkeit schützen. Keine brennbaren Materialien während des Betriebs in der Nähe des Geräts lassen.
- Das Gerät muss an einem gut belüfteten Ort und in mindestens 50cm Entfernung zur nächsten Fläche angebracht werden. 
- Darauf achten, dass die Belüftungsschlitze nicht blockiert oder verstopft sind.
- Immer erst das Gerät vom Netz trennen, bevor es gewartet oder die Sicherung ersetzt wird. Die Sicherung nur durch eine identische ersetzen.
- Das Gerät mit einer Sicherheitskette befestigen. Das Gerät niemals nur am Kopf tragen, sondern auch am Sockel.
- Die Raumtemperatur darf 40°C nicht überschreiten. Das Gerät niemals bei höheren Temperaturen betreiben.
- Das Gehäuse kann eine Temperatur von 85°C erreichen. NIEMALS das Gerät während des Betriebs mit bloßen Händen berühren. Gerät abschalten und 20 Minuten warten, dass sich das Gerät abgekühlt hat, bevor Wartungsarbeiten vorgenommen werden können.
- NICHT das Gehäuse innerhalb von 5 Minuten nach Abschalten öffnen.
- Bei Betriebsstörungen das Gerät sofort ausschalten. Das Gerät niemals selbst reparieren. Reparaturen dürfen nur von einem Fachmann vorgenommen werden. Alle verwendeten Ersatzteile müssen mit den Originalteilen identisch sein.
- Das Gerät nicht an ein Dimmerpack anschließen.
- Das Netzkabel niemals quetschen oder beschädigen.
- Beim Abziehen des Netzsteckers nur am Stecker ziehen, niemals am Kabel.
- Niemals direkt in die Lichtquelle blicken. Das kann bei empfindlichen Personen zu epileptischen Anfällen führen.
- Das Gerät ist nur für dekorative Zwecke und nicht als normale Haushaltsbeleuchtung geeignet.
- Wenn das Stromkabel beschädigt ist, muss es sofort durch ein Neues ersetzt werden.
- Beschädigte Linse, Gehäuse oder UV-Filter sofort ersetzen.
- Die Leuchtmittel sind nicht reparierbar. Wenn sie defekt sind, muss das ganze Gerät entsorgt werden.

## NETZTRENNUNGSVORRICHTUNGEN

**ACHTUNG:** Das Gerät hat keinen EIN/AUS-Schalter. Trennen Sie es nach jedem Gebrauch vom Netz, um die internen Schaltkreise spannungsfrei zu schalten und bevor Sie Service- oder Wartungsarbeiten durchführen. Daher ist es unbedingt erforderlich, dass die verwendete Netztrenneinrichtung jederzeit leicht zugänglich bleibt.

## AUSWECHSELN DER SICHERUNG

Vor Auswechseln der Sicherung Gerät vom Netz trennen. Nur eine identische Sicherung benutzen. Mit einem Schraubendreher den Sicherungshalter aus seinem Gehäuse entfernen. Die durchgebrannte Sicherung aus dem Halter nehmen und durch eine identische Sicherung ersetzen. Den Sicherungshalter zurück ins Gehäuse setzen und Netz wieder anschließen.

*Warnung: Wenn die neue Sicherung ebenfalls durchbrennt, benutzen Sie das Gerät nicht mehr, da es sonst schweren Schaden nehmen kann. Nehmen Sie Verbindung mit Ihrem Fachhändler auf.*

## HINTEREINANDERSCHALTEN MEHRERER GERÄTE (ABB. 4)

Wenn mehrere Geräte über einen DMX Controller gesteuert werden oder zwei und mehr Geräte im Master/Slave Betrieb arbeiten sollen, wird ein serielles Datenkabel benötigt. Die kombinierte Anzahl von Kanälen, die von allen Geräten in einer seriellen Datenverbindung benötigt werden, bestimmt die Anzahl von Geräten, die die Datenverbindung unterstützen kann.

*Wichtig: Geräte in einer seriellen/Data Verbindung müssen in einer Reihe aneinandergeschlossen werden*

## ANSCHLUSS DES NETZ- UND SIGNALKABELS (ABB. 1)

### 1. Anschluss des Netzkabels

Schließen Sie das Gerät mit dem mitgelieferten Netzkabel ans Netz an. Achten Sie darauf, dass die Netzspannung und -frequenz, der Betriebsspannung und -frequenz des Geräts entspricht, d.h. 90-240V~ 50/60Hz. Es ist empfehlenswert, jedes Gerät einzeln ein- und ausschalten zu können.

### 2. Anschluss des Signalkabels

Der Anschluss zwischen dem Master-Ausgang und dem Slave-Eingang erfolgt über ein 3-pol. XLR Kabel. Der Ausgang der DMX Konsole muss an den Eingang des ersten Master-Geräts angeschlossen werden. Der Ausgang des Master-Geräts wird an den Eingang des ersten Slave-Geräts angeschlossen usw. An den Ausgang des letzten Slave-Geräts muss ein Endwiderstand angeschlossen werden, um Störungen zu verhindern. Dieser Endwiderstand besteht aus einem XLR Stecker, der einen 120Ω Widerstand zwischen Pin 2 und 3 besitzt. S. Abb. 4.

*Hinweis: Der Durchmesser der Leiter jedes Kabels muss mindestens 0,5mm betragen. Benutzen Sie ein Kabel mit einzeln abgeschirmten Adern.*

## MONTAGE (ABB. 3)

Das Gerät kann in jeder beliebigen Stellung montiert werden, solange für ausreichende Belüftung gesorgt ist.

Der Ventilator und die Belüftungsschlitze dürfen auf keinen Fall verstopft werden. Bei der Wahl des Anbringungsortes darauf achten, dass das Gerät leicht zugänglich für Wartungs- und Reinigungsarbeiten bleibt.

Benutzen Sie immer Sicherheitskabel.

Das Gerät vor Regen, Feuchtigkeit, extremen Temperaturschwankungen schützen. Die Montagestelle muss gut belüftet sein.

Den Haltebügel am Gerät befestigen. Das Gerät muss fest und sicher installiert werden, um Erschütterungen und Spielraum während der Bewegungen zu vermeiden. Die Montagefläche muss stabil sein und mindestens 10-mal das Gewicht des Geräts tragen können. Bei der Montage das Gerät immer zusätzlich durch ein Sicherheitskabel absichern, das mindestens 12-mal das Gewicht des Geräts tragen kann. Das Gerät darf nur von einem Fachmann installiert werden. Es muss an einer Stelle installiert werden, wo es für Menschen unzugänglich ist und niemand unter dem Montagebereich stehen oder gehen kann.

## BEDIENFELD (ABB. 2)

- Mit dem MENU Knopf eine Funktionen wählen
  - Auf ENTER drücken, um ins Menü der gewählten Funktion zu gehen.
  - Mit den UP und DOWN Tasten die Funktion einstellen und mit ENTER die Wahl bestätigen.
- Folgende Tabelle enthält eine Auflistung der Menüfunktionen:

MENU			BESCHREIBUNG		
RUN MODE	ADDR	VALU	A001~AXXX (AXXX)		Einstellen der DMX Adresse
		SLAV			Automatikbetrieb
	AUTO	Program 1-8	ALON /(AU-A)	SP_1~SP_5 (Speed)	Eingebaute Programme (Auto) mit Geschwindigkeitseinstellung
			MAST /AU-M)		Automatisch (Master) mit Ge- schwindigkeitseinstellung
	SOUN	Program 1-7	ALONE		Musiksteuerung (Auto)
			MASTER		Musiksteuerung (Master)
SET	MIC	M-00-99%			Mikrofonempfindlichkeit
	RELOAD	ON/OFF			Daten neu laden
	VERSION	V-2.0			Software Version
	CAL	Code (password: 088)			Passwort eingeben
		CH03-CH06			Eichung
DMX	CH13				13 Kanäle
	CH29				29 Kanäle
REST	ON/OFF				Totales Reset
MANU	RXXX	000-255			Roter Dimmer
	GXXX	000-255			Grüner Dimmer
	BXXX	000-255			Blauer Dimmer
	WXXX	000-255			Weisser Dimmer
	FXXX	000-255			ZOOM Funktion
TEMP	TXXX				Aktuelle Temperatur

## Die Tabelle der DMX Kanäle befindet sich auf Seite 3-5

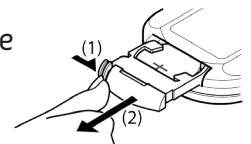
### Benutzung der Fernbedienung

Die Fernbedienung hat eine Reichweite von 6m in einem Winkel von 30° zum Sensor. Richten Sie sie immer genau auf den Sensor. Der Sensor befindet sich auf dem Display. Stellen Sie keine Hindernisse zwischen die Fernbedienung und den Sensor. Wenn sich die Fernbedienung oder der Sensor unter einer starken Lichtquelle befinden, kann die Übertragung gestört sein.

Wenn die Fernbedienung nicht mehr einwandfrei funktioniert, wechseln Sie die Batterie.

### Einsetzen der Batterie in die Fernbedienung

- Legen Sie die Fernbedienung mit der Vorderseite nach unten auf eine ebene Fläche.
- Schieben Sie die Abdeckung des Fachs in Pfeilrichtung.
- Schieben Sie das Batteriefach auf.
- Entfernen Sie die alte Batterie und setzen Sie die neue (CR2025) mit dem Pluszeichen (+) nach oben ein.
- Schieben Sie das Batteriefach vorsichtig zu. Es rastet automatisch ein.



### HINWEISE FÜR BATTERIEN IN DER FERNBEDIENUNG



Dieses Symbol weist darauf hin, dass verbrauchte Batterien nicht in den Hausmüll gehören, sondern gemäß den örtlichen Bestimmungen ordnungsgemäß entsorgt werden müssen.

Batterien dürfen nicht übermäßiger Hitze wie Sonnenschein, Feuer oder ähnlichem ausgesetzt werden. Wenn Sie das Gerät eine Weile nicht benutzen, entfernen Sie die Batterien, um Schäden durch Auslaufen der Batterie oder Korrosion zu vermeiden.

**ACHTUNG:** Bei falsch eingesetzter Batterie besteht Explosionsgefahr. Batterie nur durch eine gleichwertige ersetzen.



Alte und neue Batterie von Kindern fernhalten. Wenn das Batteriefach nicht richtig schließt, darf das Gerät nicht mehr benutzt und muss außerhalb der Reichweite von Kindern aufbewahrt werden.

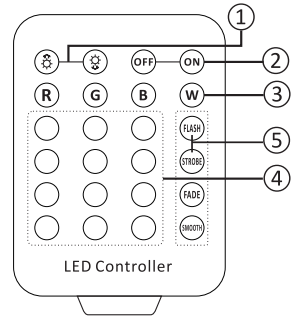
Schlucken Sie die Batterien nicht. Verätzungsgefahr. Wenn Sie nicht sicher sind, ob die Batterien verschluckt oder in einen anderen Körperteil eingeführt wurden, wenden Sie sich sofort an einen Arzt.



## FERNBEDIENUNG

**ACHTUNG: SIE MÜSSEN DAS GERÄT AUF MODE -> ADDR STELLEN, SONST FUNKTIONIERT DIE FERNBEDIENUNG NICHT**

1. HELLIGKEIT & GESCHWINDIGKEIT anpassen: Drücken Sie  oder  um die Helligkeit und Geschwindigkeit im Programmmodus einzustellen
2. EIN/AUS der LEDs.
3. WÄHLEN DER GRUNDFARBE: Rot, Grün, Blau oder Weiß (R+G+B)
4. FARBTASTEN: Um alle LEDs konstant in einer Farbe zu leuchten, drücken Sie die entsprechende Taste.
5. INTERNES PROGRAMM AUSWÄHLEN:  
Flash: Farbwechsel  
Strobe: Farbige Blitze  
Fade: Farbübergang  
Smooth: Farbwechsel und Stroboskop



## REINIGUNG UND INSTANDHALTUNG DES GERÄTS

Schalten Sie das Gerät aus und trennen Sie es vom Netz, bevor Sie es reinigen oder warten. Benutzen Sie Qualitätsglasreiniger und ein weiches Tuch. Benutzen Sie auf keinen Fall Alkohol oder chemische Lösungsmittel.

## TECHNISCHE DATEN

Versorgung.....	90-240V~50/60Hz
Verbrauch.....	285W
Leuchtmittel .....	28 x 10WRGBW LED
Abmessungen.....	265 x 213 x 117mm
Gewicht.....	2.54kg




**WICHTIGER HINWEIS:** Elektrogeräte gehören nicht in den Hausmüll. Sie müssen in speziellen Betrieben recycelt werden. Bringen Sie sie zu einer speziellen Entsorgungsstelle für Elektrokleingeräte (Wertstoffhof)!


## HANDLEIDING

### FEATURES

- 28x 10W RGBW LED
- 13/29 DMX kanalen
- Auto, DMX, master-slave, muziek besturing of afstandsbediening
- Soepele elektronische lineaire zoom 12-60°
- CTB & CTO, lineaire kleurtemperatuurregeling van 2800-8000°K
- Stroboscoop- & pulsstroboscoopeffect
- Powercon in- / uitgangen
- IR afstandsbediening is meegeleverd

### VERKLARING VAN DE TEKENS

 De driehoek met een bliksemschicht wordt gebruikt om aan te geven wanneer uw gezondheid gevaar loopt (bijvoorbeeld door elektrocutie).

 Een uitroepteken in een driehoek wijst op bijzondere risico's bij het hanteren of bedienen van het apparaat.

 Het apparaat voldoet aan de CE-normen

 Alleen voor gebruik binnenshuis



 Minimale afstand tussen het apparaat en andere objecten

 Elektrische veiligheidsklasse I - alleen op een stopcontact met randaarde aansluiten

 Staar niet in de straal



## VEILIGHEIDSINSTRUCTIES

- Bewaar deze handleiding.
- Wees zeker dat u het toestel op de juiste spanning aansluit en dat de lichtnetspanning niet hoger dan de op de zijde van het toestel aangegeven spanning is.
- Alleen voor gebruik binnenshuis! 
- Dit apparaat behoort tot beschermingsklasse I. Het moet dus verplicht worden geaard. Een bevoegde persoon moet de elektrische aansluiting uitvoeren.
- Om vuur en elektrische schokken te verhinderen bescherm het toestel tegen regen en vochtigheid. Wees zeker dat geen ontvlambare materialen in de buurt van het toestel zijn tijdens de werking.
- Plaats het toestel in een ruimte met voldoende ventilatie en in tenminste 50cm afstand van oppervlakken. 
- Wees zeker dat de ventilatie openingen niet geblokkeerd zijn.
- Verwijder het stopcontact alvorens u het toestel onderhoud of de zekering vervangt. Gebruik alleen een zekering met dezelfde specificaties.
- Gebruik het toestel niet in ruimtes met een temperatuur boven 40°C.
- De behuizing kan een temperatuur van 85°C bereiken. NOOIT de behuizing tijdens het werken van het toestel met blote handen aanraken. Toestel uitschakelen en 20 minuten wachten totdat de behuizing afgekoeld is.
- NOOIT de behuizing binnen 5 minuten naar uitschakelen openen.
- In geval van een ernstig probleem stopt het toestel direct. Verzoek nooit het toestel zelfs te repareren. Alle reparaties moeten van een ervaren technicus doorgevoerd worden. Gebruik alleen onderdelen met dezelfde specificaties.
- Sluit het toestel niet op een dimmer pack aan.
- Nooit het netsnoer beschadigen of platdrukken.
- Nooit aan de kabel trekken.
- Nooit in de lichtbron kijken. Gevoelige personen kunnen een epileptische shock ondergaan (vooral bedoeld voor epileptica)
- Het product is uitsluitend bedoeld voor decoratieve doeleinden en niet geschikt als verlichting van de huiskamer.
- Als de externe flexibele kabel of het snoer van deze armatuur beschadigd is, wordt deze uitsluitend vervangen door de fabrikant of zijn onderhoudsvertegenwoordiger of een soortgelijk gekwalificeerd persoon om gevaar te voorkomen.
- Beschadigde lenzen, behuizing of uv-filter onmiddellijk vervangen.
- Houd er rekening mee dat de lamp van dit apparaat niet kan worden vervangen. Als de lamp defect is, moet het apparaat worden weggegooid

### Ontkoppeling van het net

Houd er rekening mee dat het apparaat GEEN AAN/UIT-schakelaar heeft. Koppel het apparaat los om de stroom van de interne circuits volledig te verwijderen voordat u het schoonmaakt of onderhoud pleegt. Daarom moet de ontkoppelingsinrichting gemakkelijk toegankelijk blijven.

### VERVANGING VAN DE ZEKERING

Trek de voedingskabel uit het stopcontact alvorens U de zekering vervangt. Gebruik alleen een zekering met dezelfde specificaties. Verwijder de zekeringshouder d.m.v. een schroevendraaier uit de behuizing.

Verwijder de oude zekering en zet een nieuwe zekering met dezelfde specificaties in. Plaats de zekeringshouder terug in zijn behuizing en sluit de voedingskabel op een stopcontact aan.

### AANSLUITEN VAN MEERDERE TOESTELLEN (AFB. 4)

Indien U meerdere toestellen via een DMX controller of gesynchroniseerde lichtshows in een master/slave modus wilt sturen hebt U een seriële data kabel nodig. Het gecombineerde aantal van kanalen die alle toestellen in een seriële verbinding nodig hebben bepaalt de hoeveelheid van toestellen die de data verbinding kan ondersteunen.

Belangrijk: Alle toestellen in een seriële data verbinding moeten in één enkele lijn verbonden zijn.

## DATA AANSLUITING

Gebruik data kabels om toestellen met elkaar te verbinden. Indien U uw eigen kabel bouwen wilt gebruik hoogwaardige kabels die het signaal goed overdragen en niet gevoelig zijn voor elektromagnetische interferenties.

## DMX CONNECTOR CONFIGURATIE

De eindweerstand vermindert signaalfouten. Om transmissie problemen en storingen te voorkomen is het aanbevolen een DMX signaal eindweerstand aan te sluiten.

## INSTALLATIE (AFB. 3)

De unit kan in iedere positie geïnstalleerd worden mits voor voldoende koeling gezorgd is.

Het is belangrijk nooit de ventilator of de koelingsopeningen te verstoppert. Bij de keuze van d'installatie plaats denk eraan dat de plaats gemakkelijk bereikbaar is voor onderhouds en reinigingsdoeleinden.

Gebruik altijd veiligheidskabels.

Bescherm het toestel tegen regern, vochtigheid en extreme temperatuurveranderingen. Kies een plaats met voldoende ventilatie.

Bevestig het toestel via de schroef gaten op de houder. Wees zeker dat het toestel vast geïnstalleerd is om trillingen en afglijden tijdens de werking te vermijden. Wees zeker dat de truss waaraan u het toestel bevestigt, stabiel is en 10 keer het gewicht van het toestel kan dragen. Tijdens de montage, gebruik altijd een veiligheidskabel dat 12 keer het gewicht kan dragen.

Het toestel moet van een vakman op een plaats monteert worden waar het buiten het bereik van mensen is en niemand onder kan staan.

## CONTROLE PANEEL (AFB. 2)

Druk de MENU toets om in het hoofdmenu te gaan. Druk de UP/DOWN toetsen totdat u de gewenste functie bereikt. Druk ENTER. Wijzig de waarde d.m.v. de UP/DOWN toetsen en druk ENTER.

## FUNCTIETABEL

MENU				OMSCHRIJVING	
MODE	ADDR	VALU	A001~A XXX (AXXX)	Instellen van de DMX adres	
		SLAV		Automatische modus	
	AUTO	Programma 1-8	ALON / (AU-A)	SP_1~SP_5 (Speed)	Ingebouwde programma's (auto)
			MAST / AU-M)		Automatisch (Master)
	SOUN	Programma 1-7	ALONE		Geluidsbesturing (Auto)
MASTER			Geluidsbesturing (Master)		
SET	MIC	M-00-99%		Microfoongevoeligheid	
	RELOAD	ON/OFF		Gegevens opnieuw laden	
	VER	V-2.0		Software versie	
	CAL	Code (password: 088)			Wachtwoord intoetsen
		CH03-CH06			Kalibratie
DMX	CH13			13 kanalen	
	CH29			29 kanalen	
REST	ON/OFF			Totale reset	
MANU	RXXX	000-255		Rode dimmer	
	GXXX	000-255		Groene dimmer	
	BXXX	000-255		Blauwe dimmer	
	WXXX	000-255		Witte dimmer	
	FXXX	000-255		ZOOM functie	

MENU			OMSCHRIJVING
TEMP	TXXX		werkelijke temperatuur

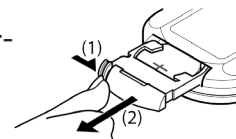
## DMX Kanaalstabel zie pagina's 3-5

### Afstandsbediening

De afstandsbediening heeft een bereik van 6m in een hoek van 30° ten opzichte van de ontvanger en moet altijd precies op de ontvanger worden gericht. Nooit voorwerpen tussen de ontvanger en de afstandsbediening plaatsen. Wanneer de ontvanger of de afstandsbediening onder een sterke lichtbron staan, kan de transmissie verstoord worden. Als de transmissie niet langer goed is, de batterij vervangen.

### Batterij in de afstandsbediening plaatsen

- Plaats de afstandsbediening met de voorkant naar beneden op een vlak oppervlak.
- Duw het compartimentdeksel in de richting van de pijl.
- Schuif het batterijvak open.
- Verwijder de oude batterij en plaats de nieuwe (CR2025) met het plusteken (+) naar boven.
- Schuif het batterijvak voorzichtig dicht. Het vergrendelt automatisch.



### ADVIES VOOR BATTERIJEN IN DE AFSTANDBEDIENING



Dit symbool geeft aan dat gebruikte batterijen en accu's niet bij het huisvuil mogen worden weggegooid, maar moeten worden gedeponeerd in gescheiden inzamelpunten voor recycling.

#### WAARSCHUWINGEN VOOR HET GEBRUIK VAN BATTERIJEN

Er is explosiegevaar als de batterij verkeerd is geplaatst. Alleen vervangen door hetzelfde of een vergelijkbaar type. Tegen hitte beschermen. Bij langere niet-gebruik batterijen uit het vak verwijderen.

Slik de batterij niet in. Gevaar voor chemische brandwonden. Als u twijfelt of de batterijen zijn ingeslikt of in een ander deel van het lichaam zijn ingebracht, neem dan onmiddellijk contact op met een arts.

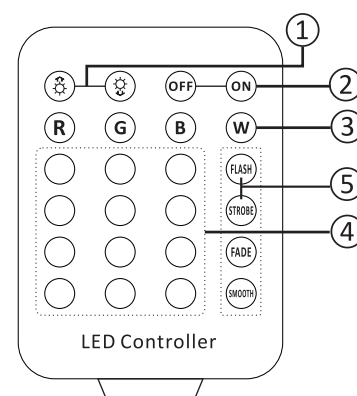
Houd nieuwe en oude batterijen buiten het bereik van kinderen.

Als het batterijcompartiment niet goed sluit, stop dan met het gebruik van het product en houd het buiten het bereik van kinderen.

## AFSTANDBEDIENING

### LET OP: U MOET HET APPARAAT OP MODE -> ADDR ZETTEN, ANDERS WERKT DE AFSTANDBEDIENING NIET

1. HELDERHEID & SNELHEID aanpassen: Druk op of om de helderheid en snelheid in de programmamodus in te stellen
2. AAN/UIT van de LED's.
3. KIES BASISKLEUR: Rood, Groen, Blauw of Wit (R+G+B)
4. KLEURKNOPPEN: Voor een constante verlichting van alle LED's in één kleur, drukt u op de bijbehorende knop.
5. EEN INTERN PROGRAMMA SELECTEREN:
  - Flash: Kleurwissel
  - Strobe: kleurenstroboscoop
  - Fade: kleur vervagen
  - Smooth: kleurwissel en stroboscoop



### REINIGING EN ONDERHOUD

We raden u aan om het apparaat regelmatig schoon te maken. Gebruik een vochtige niet-pluizende vod. Gebruik nooit alcohol of oplosmiddelen.

## SPECIFICATIES

Voeding.....	90-240V~50/60Hz
Opgenomen vermogen .....	285W
Lichtbron .....	28 x 10WRGB LED
Afmetingen .....	265 x 213 x 117mm
Gewicht.....	2.54kg



**BELANGRIJK:** De elektrische producten mogen niet naast het huisvuil geplaatst worden. Gelieve deze te laten recyclen daar waar er centra's hiervoor voorzien is. Raadpleeg de plaatselijke autoriteiten of uw verkoper ivm de manier van recyclen

## MANUEL DE USO

### DESCRIPCIÓN

- 28 LED 10W RGBW
- 13/29 canales DMX
- Zoom lineal electrónico 12-60°
- CTB & CTO, ajuste lineal de la temperatura de color de 2800-8000°K
- Efecto y estrobo & impulsión estrobo
- Funcionamiento automático, DMX, maestro-esclavo, controlado por la música o el mando a distancia incluido
- Entradas/Salidas Powercon
- Entregado con mando a distancia IR

### EXPLICACIÓN DE LOS SÍMBOLOS



El rayo en el triángulo llama la atención sobre un peligro físico (por ejemplo, por electrocución).



El signo de exclamación en el triángulo indica un riesgo en la manipulación o el uso del dispositivo.



El dispositivo cumple la normativa CE



Sólo para uso en interiores



Distancia mínima entre el dispositivo y otros objetos



Clase de protección I: puesta a tierra obligatoria




No mire directamente al haz de luz



### INSTRUCCIONES DE SEGURIDAD

- Lea atentamente este manual, ya que contiene información importante sobre la instalación, el funcionamiento y el mantenimiento de este aparato.
- Conserve el manual para futuras consultas. Si el aparato cambia de propietario, asegúrese de que el nuevo usuario tenga el manual.
- Asegúrese de que la tensión de red es adecuada para este aparato y no supera la tensión de alimentación indicada en la placa de características del aparato.
- Se trata de un aparato de clase I y debe conectarse a una toma de corriente con conexión a tierra.
- Sólo para uso en interiores.
- Para evitar el riesgo de incendio o descarga eléctrica, no exponga este aparato a la lluvia o a la humedad. Asegúrese de que no hay objetos inflamables cerca de la unidad durante el funcionamiento.
- Instale la unidad en un lugar bien ventilado y a una distancia mínima de 50 cm de cualquier su-

perficie. Asegúrese de que las ranuras de ventilación no estén bloqueadas.

- La distancia mínima entre la luminaria y el objeto iluminado debe ser de 0,5m. 
- No utilice este aparato durante más de 8 horas seguidas. Deje que se enfríe antes de volver a utilizarlo para prolongar su vida útil.
- Desconecte el aparato de la red eléctrica antes de manipularlo o repararlo.
- La temperatura ambiente no debe superar los 40°C. No haga funcionar la unidad a temperaturas más altas.
- La carcasa puede alcanzar los 85°C. No toque la carcasa con las manos desnudas durante el funcionamiento. Desconecte la fuente de alimentación y espere 20 minutos para que la unidad se enfríe antes de realizar cualquier trabajo.
- NO ABRIR la caja en los 5 minutos siguientes a la desconexión.
- En caso de avería, apague inmediatamente el aparato. Nunca intente reparar el aparato usted mismo. Una reparación inadecuada puede provocar daños y un mal funcionamiento. Póngase en contacto con un servicio técnico autorizado. Utilice únicamente piezas de recambio idénticas a las originales.
- Asegúrese de que el cable de alimentación no está aplastado o dañado.
- No desenchufe nunca el aparato tirando del cable.
- No exponga sus ojos a la fuente de luz.
- La luminaria sólo debe utilizarse con fines decorativos y no es adecuada para la iluminación doméstica normal.
- Si el cable de alimentación de la luminaria está dañado, sólo debe ser sustituido por el fabricante o su agente o por un técnico cualificado para evitar el riesgo de descarga eléctrica.
- Sustituya inmediatamente las lentes, la carcasa o el filtro UV si están dañados.
- La fuente de luz no es reemplazable. Si la fuente de luz está defectuosa, el dispositivo debe ser eliminado.

## DISPOSITIVO DE CORTE

**PRECAUCIÓN:** La unidad no tiene un interruptor ON/OFF. Asegúrese de desenchufarlo de la red eléctrica después de cada uso para desenergizar los circuitos internos y antes de realizar cualquier trabajo de servicio o mantenimiento. Por lo tanto, es esencial que el dispositivo de desconexión de la red utilizado sea fácilmente accesible en todo momento.

## CAMBIO DE FUSIBLES

Extraiga el portafusibles de su alojamiento con un destornillador. Retire el fusible fundido y sustitúyalo por otro idéntico en todos los aspectos. Vuelva a colocar el portafusibles en su alojamiento y conecte de nuevo el aparato a la red eléctrica.

*Precaución: Si el fusible sigue fundiéndose después de ser sustituido, PARE el aparato. Póngase en contacto con su distribuidor. El uso continuado puede provocar daños en el aparato.*

## CONEXIÓN DEL CABLE DE ALIMENTACIÓN Y DE SEÑAL (FIG. 4)

### 1. Conexión a la red eléctrica

Utilice el cable de alimentación suministrado para conectar la unidad a la red eléctrica. Asegúrese de que el voltaje y la frecuencia de la red eléctrica coinciden con el voltaje y la frecuencia de la unidad, es decir, 90-240V~50/60Hz. Debe ser posible encender y apagar cada unidad individualmente.

### 2. Conexión del cable de señal

La conexión entre la salida Master y la entrada Slave se realiza mediante el cable XLR de 3 pines suministrado. La salida DMX de la consola de control debe conectarse a la entrada DMX del primer Master. Conecta la salida DMX del Maestro a la entrada DMX del Esclavo y así sucesivamente hasta el último Esclavo. Conecte un terminador a la salida del último aparato para evitar interferencias. Esta resistencia de terminación consiste en un conector XLR que tiene una resistencia de 120Ω entre los pines 2 y 3 (fig. 4).

*Note: Utilisez du câble à double blindage. Le diamètre du conducteur de chaque câble doit être d'au moins 0,5mm.*

## ALIMENTACIÓN EN CASCADA

Conecte un cable POWERCON a la clavija POWER OUT del primer dispositivo y a la clavija POWER IN del segundo dispositivo, y así sucesivamente.

## INSTALACIÓN (FIG. 3)

- Asegure la unidad utilizando los agujeros de los tornillos en el soporte. Asegúrese de que el aparato esté bien fijado para evitar vibraciones y movimientos durante el funcionamiento. Asegúrese siempre de que la estructura que alberga el aparato es lo suficientemente fuerte y capaz de soportar al menos 10 veces el peso propio del aparato.
- El aparato debe fijarse profesionalmente en un lugar donde esté fuera del alcance de las personas y fuera del paso del tráfico.
- Puede instalar este aparato en cualquier posición siempre que haya suficiente ventilación. A la hora de elegir una ubicación, tenga en cuenta la facilidad de acceso al aparato para su mantenimiento y limpieza.
- No instale nunca el aparato en un lugar expuesto a la lluvia, la humedad, los cambios bruscos de temperatura y con una ventilación limitada.

## PANEL DE CONTROL (FIG. 2)

Utilice el botón Menú para seleccionar una función.

Pulse el botón Enter para entrar en el menú de la función seleccionada

Utilice los botones Arriba y Abajo para ajustar la función y pulse Enter para confirmar su elección.

MENU				DESCRIPTION	
MODE	ADDR	VALU	A001~A XXX (AXXX)	Ajuste de la dirección DMX	
		SLAV		Modo autónomo	
	AUTO	Programme 1-8	ALON /(AU-A)	SP_1~SP_5 (Speed)	Programa interno (automático) con control de velocidad
			MAST /AU-M)		Automático (Master) con control de velocidad
	SOUN	Programme 1-7	ALONE		Modo de música (automático)
			MASTER		Modo música (Master)
SET	MIC	M-00-99%		Ajuste de la sensibilidad del micrófono	
	RELOAD	ON/OFF		Obtener datos	
	VERSION	V-2.0		Versión del software	
	CAL	Code (password: 088)		Introduzca la contraseña	
		CH03-CH06		Calibración	
DMX	CH13			13 canales	
	CH29			29 canales	
REST	ON/OFF			Reinicio completo	
MANU	RXXX	000-255		Atenuador Rojo	
	GXXX	000-255		Atenuador Verde	
	BXXX	000-255		Atenuador Azul	
	WXXX	000-255		Atenuador Blanco	
	FXXX	000-255		Función ZOOM	
TEMP	TXXX			Temperatura actual	

## El mapa de canales DMX se encuentra en las páginas 3-5

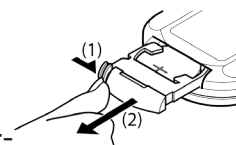
### Uso del mando a distancia

Utilice el mando a distancia a una distancia máxima de 6 m y a un radio de 30° del aparato. Apunte el mando a distancia hacia el sensor. No debe haber ningún obstáculo entre el mando a distancia y el sensor. El mando a distancia puede no funcionar cuando el sensor está expuesto a una luz in-

tensa. Si el mando a distancia no funciona, compruebe las pilas.

## INSTALACIÓN DE LA BATERÍA

- Coloque el mando a distancia boca abajo en una superficie plana.
- Empuje la tapa de la batería en la dirección de la flecha.
- Deslice el compartimento de las pilas para abrirlo.
- Retire la pila vieja e instale la nueva (CR2025) con el símbolo más (+) hacia arriba.
- Deslice suavemente el compartimento de las pilas para cerrarlo. Se bloqueará automáticamente.



### RECOMENDACIONES PARA LAS BATERÍAS

 Este símbolo indica que las pilas usadas no deben eliminarse con la basura doméstica, sino que deben llevarse a puntos de recogida selectiva para su reciclaje. Mantenga las pilas alejadas del calor excesivo, como la luz del sol, el fuego o similares.

Quando las baterías no estén en uso, retírelas para evitar daños causados por fugas o corrosión de la batería.



**PRECAUCIÓN:** Peligro de explosión si la batería no se sustituye correctamente. Sustitúyalo sólo con el mismo tipo o uno equivalente.

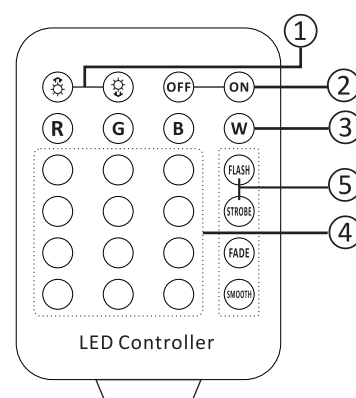
**ADVERTENCIA:** No ingiera la batería. Peligro de quemaduras químicas. En caso de duda de que las pilas hayan sido ingeridas o introducidas en cualquier parte del cuerpo, acuda inmediatamente al médico.

Mantenga las pilas nuevas y usadas fuera del alcance de los niños. Si el compartimento de las pilas no se cierra correctamente, deje de utilizarlo y manténgalo fuera del alcance de los niños.

## DESCRIPCIÓN DEL MANDO A DISTANCIA

### ATENCIÓN: DEBE AJUSTAR LA UNIDAD A MODE -> ADDR, DE LO CONTRARIO EL MANDO A DISTANCIA NO FUNCIONARÁ

1. Ajuste de BRILLO Y VELOCIDAD: Pulse  o  para ajustar el brillo y la velocidad en modo automático
2. LED ON/OFF.
3. ELECCIÓN DEL COLOR BASE: Rojo, Verde, Azul o Blanco (R+G+B)
4. COLORES: Para encender todos los LEDs del mismo color, pulse el botón del color correspondiente.
5. SELECCIÓN DE UN PROGRAMA INTERNO:
  - FLASH: cambio de color
  - STROBE: Estroboscopio de color
  - FADE: Transición de color
  - SMOOTH: Cambio de color y estroboscópico



Atención: El mando a distancia es de infrarrojos. Apunte bien hacia la parte delantera del proyector LED (porque el sensor está situado en el centro del panel frontal)

## MANTENIMIENTO

Desconecte el aparato de la red eléctrica antes de proceder a su limpieza o mantenimiento. Utilice un limpiacristales de buena calidad y un paño suave para limpiar la unidad. No utilice alcohol ni disolventes químicos para limpiar la unidad. Limpie el interior de la unidad una vez al año con una aspiradora.

Si la lámpara no funciona, compruebe si se ha fundido el fusible. Si es así, sustituya el fusible por uno nuevo que tenga exactamente las mismas características técnicas que el fusible original. Vuelva a encender la lámpara. Tenga en cuenta que cualquier reparación debe ser realizada por un profesional.

## CARACTERÍSTICAS TÉCNICAS

Alimentation.....	90-240V~50/60Hz
Consommation.....	285W
Source lumineuse.....	28 LED RGBW de 10W
Dimensions.....	265 x 213 x 117mm
Poids.....	2.54kg

 **NOTA IMPORTANTE:** Los productos eléctricos no deben eliminarse con la basura doméstica. Por favor, hágalos reciclar donde existan instalaciones de reciclaje. Consulte a su autoridad local o a su distribuidor sobre cómo reciclarlos.